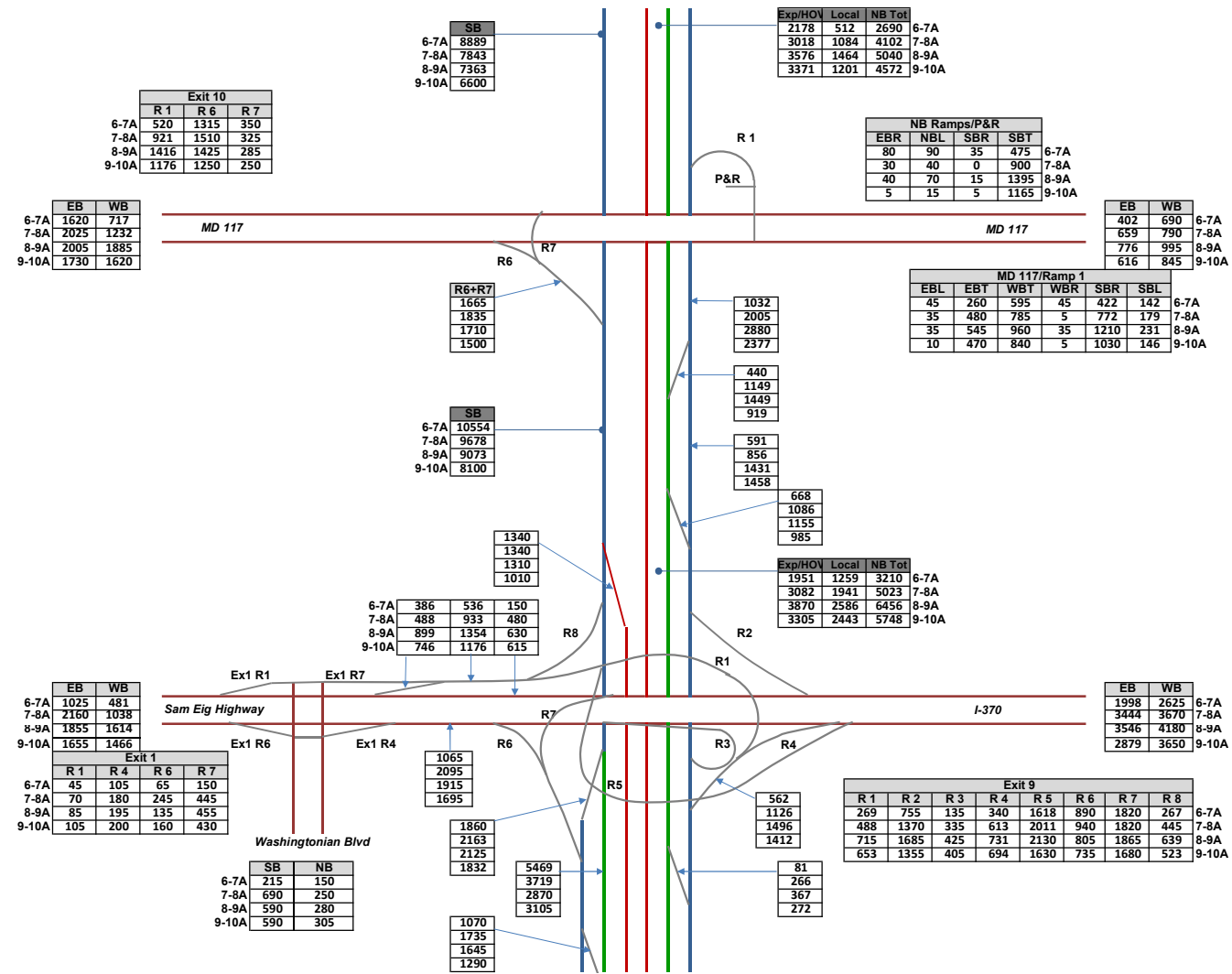


Appendix B

Traffic Volume Diagrams

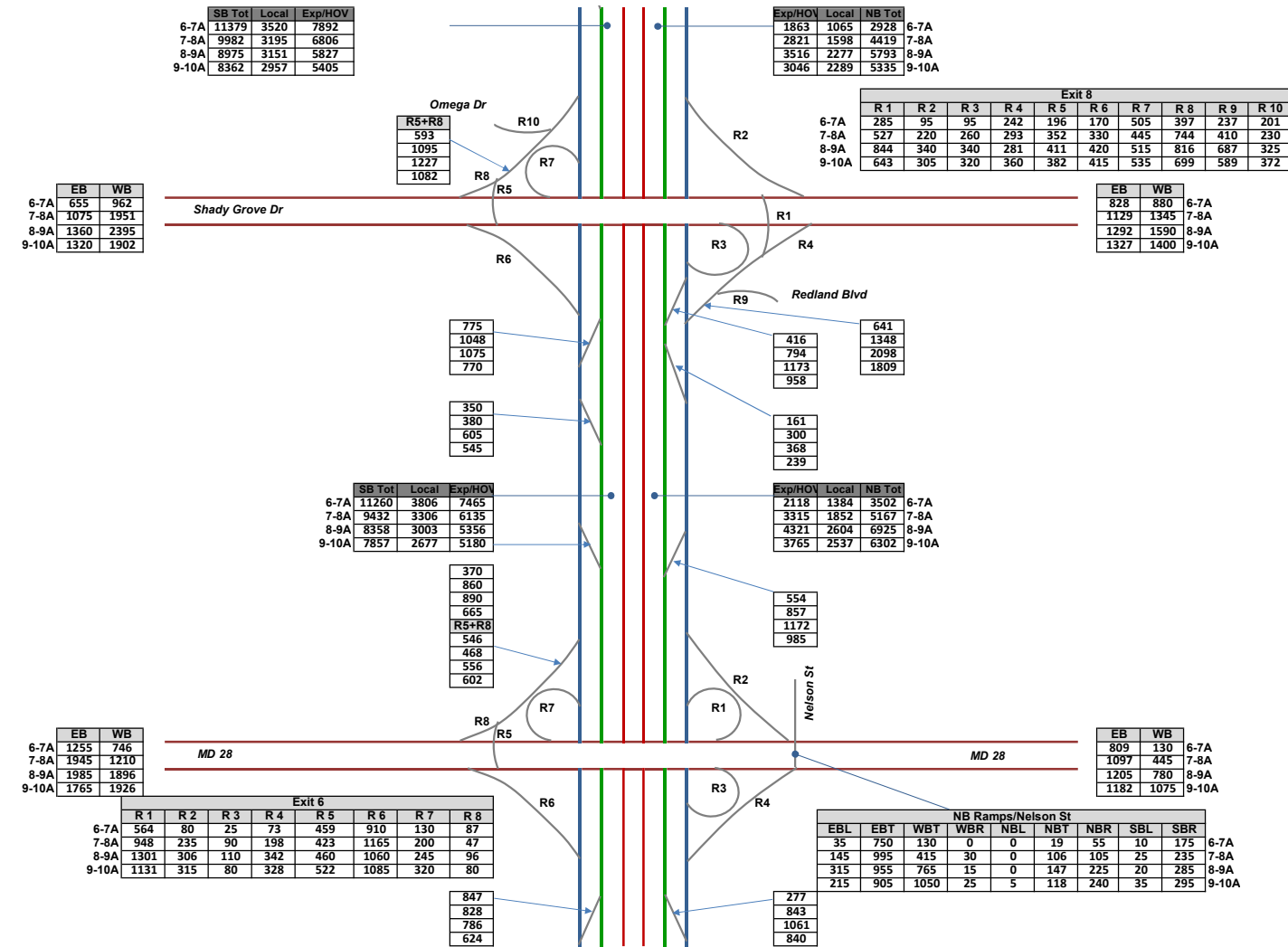
Existing Hourly AM Volume Diagram



Existing Hourly AM Volume Diagram



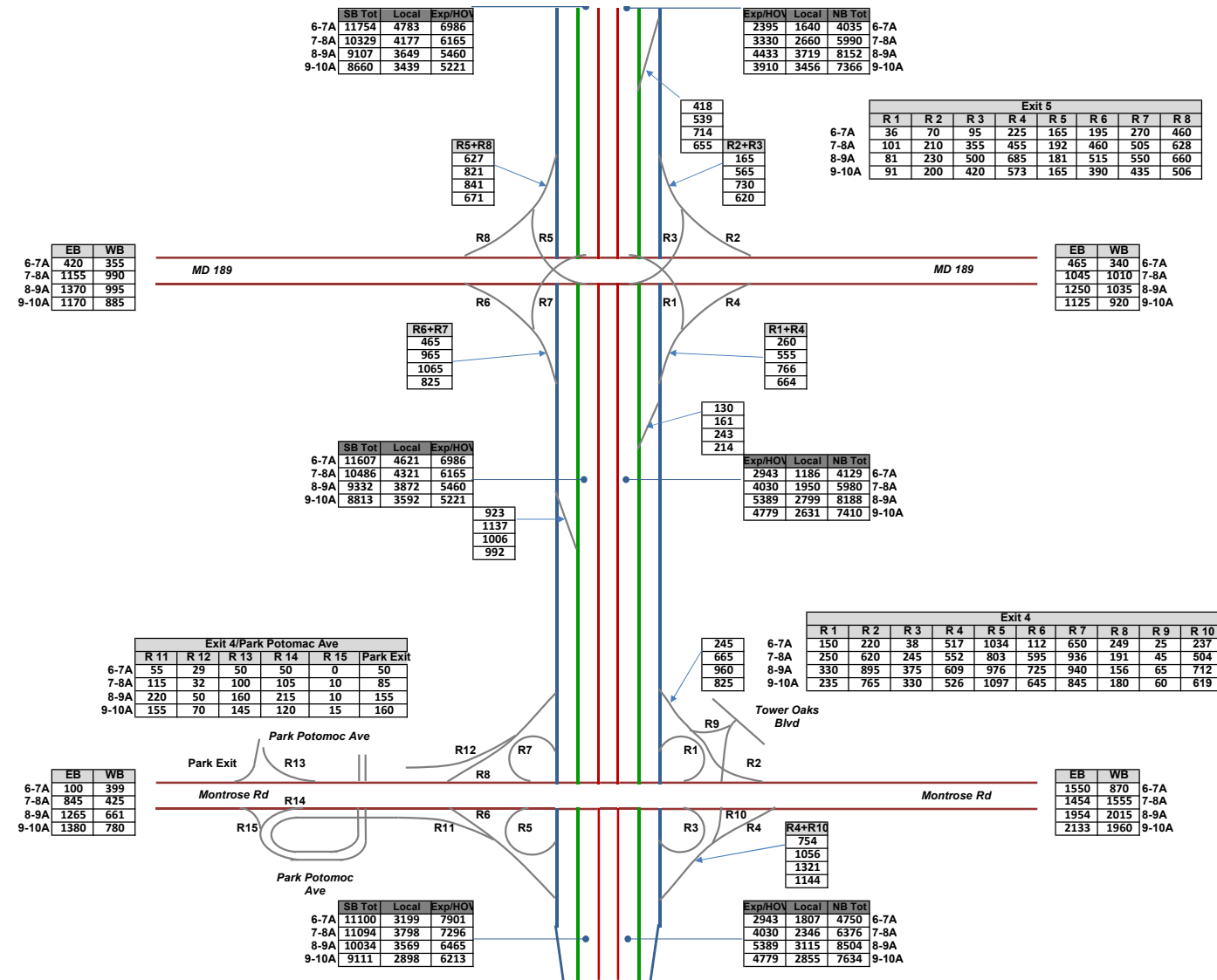
Existing Hourly AM Volume Diagram



Existing Hourly AM Volume Diagram



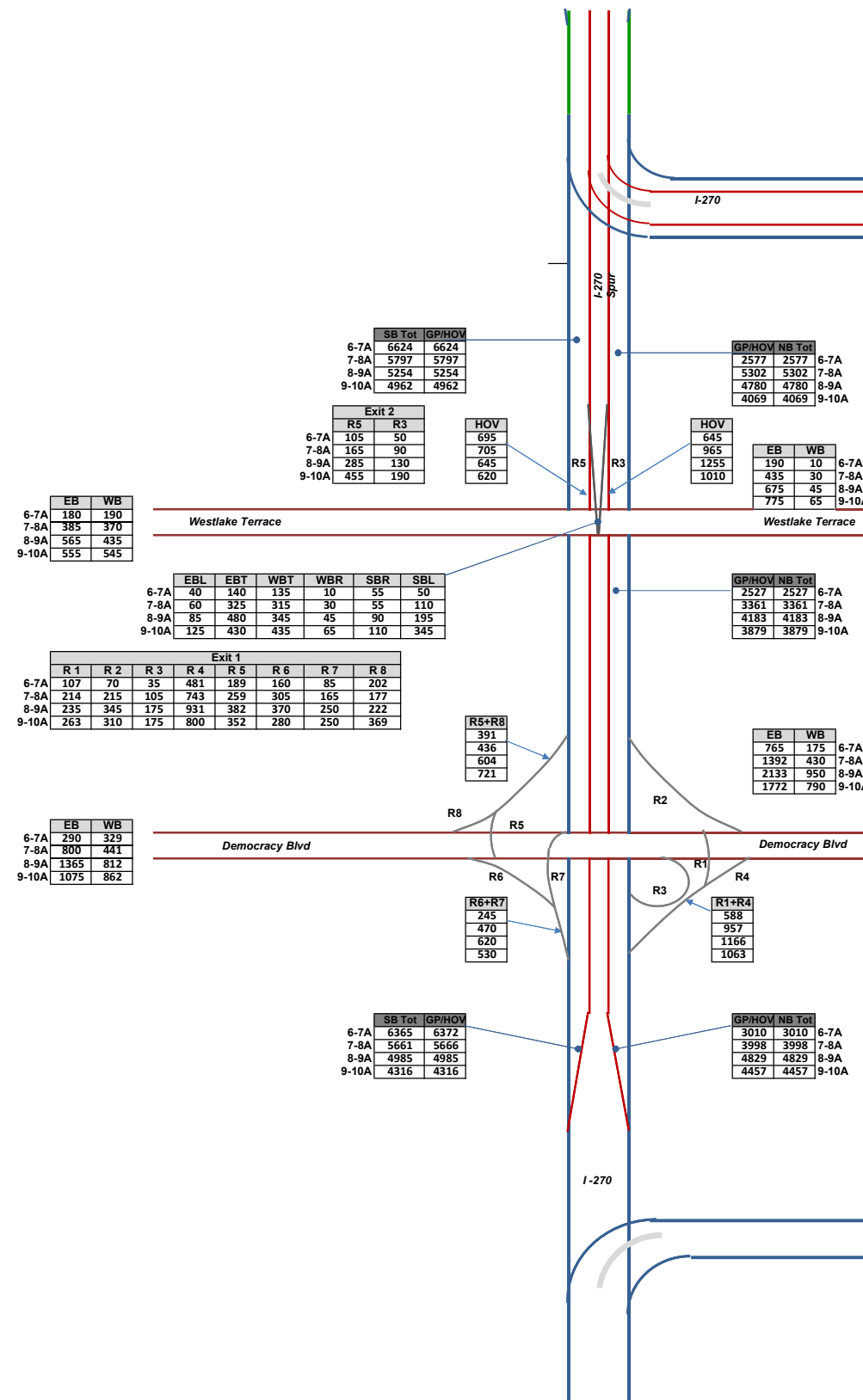
Existing Hourly AM Volume Diagram



Existing Hourly AM Volume Diagram



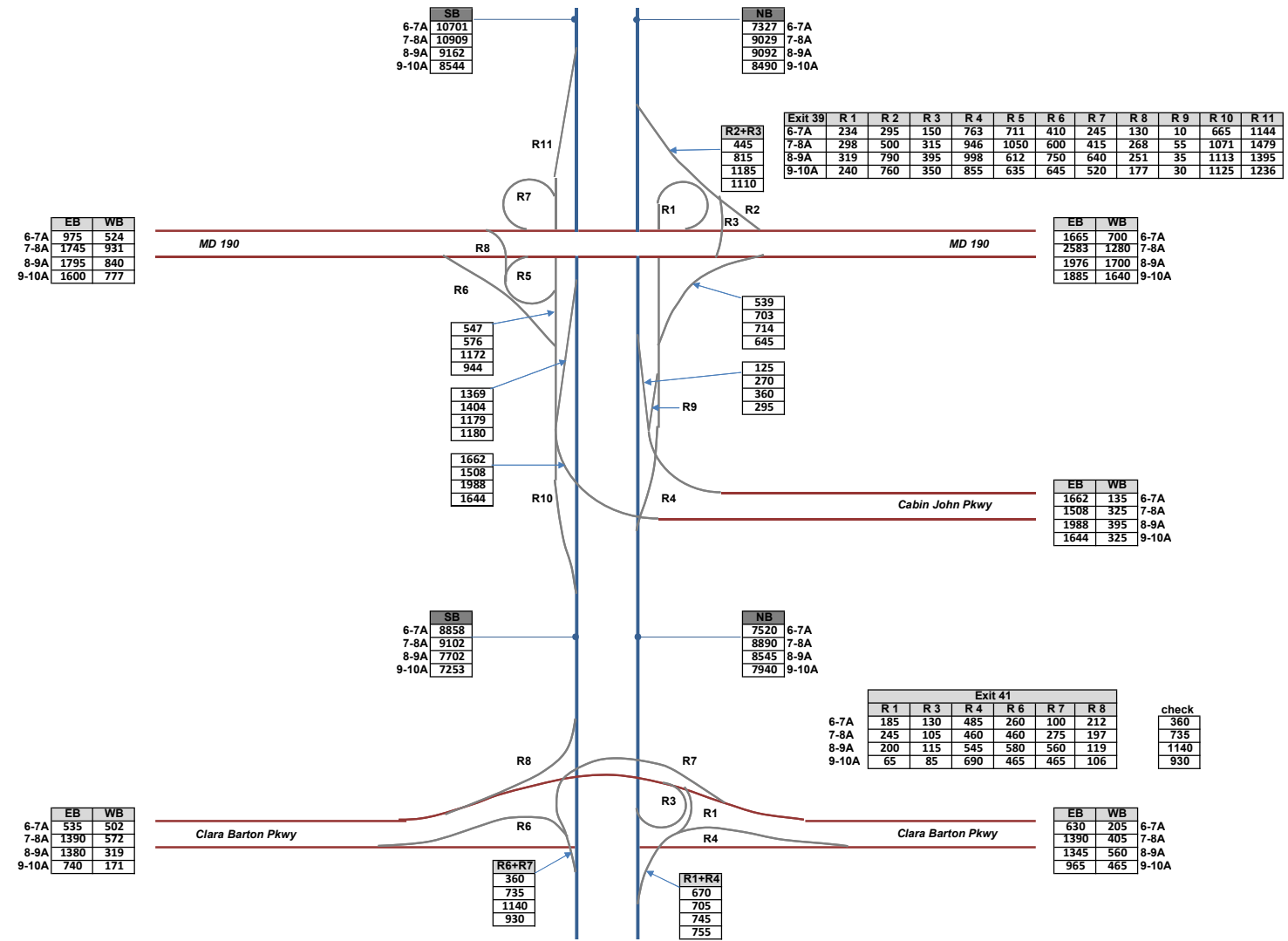
Existing Hourly AM Volume Diagram



Existing Hourly AM Volume Diagram



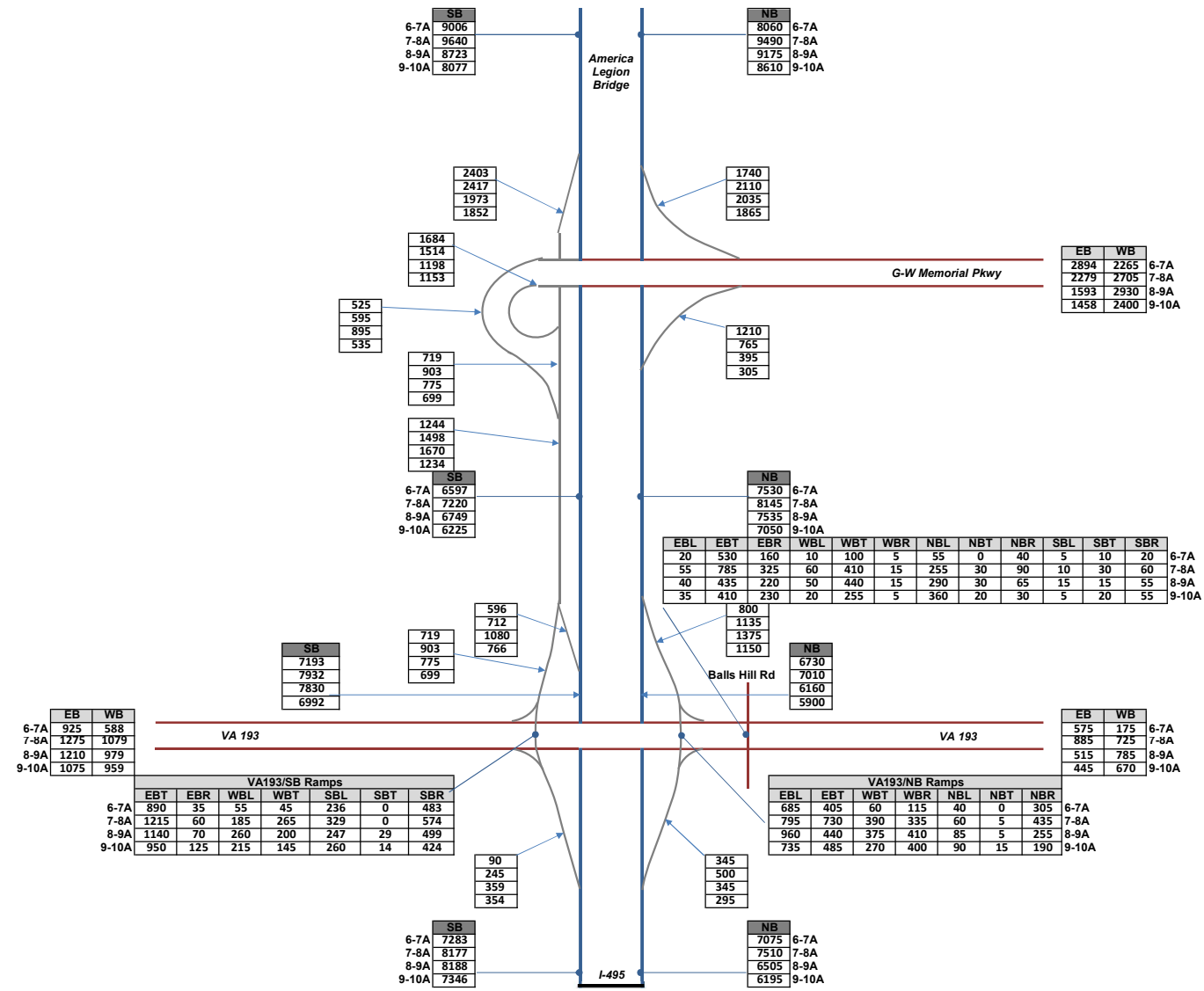
Existing Hourly AM Volume Diagram



Existing Hourly AM Volume Diagram



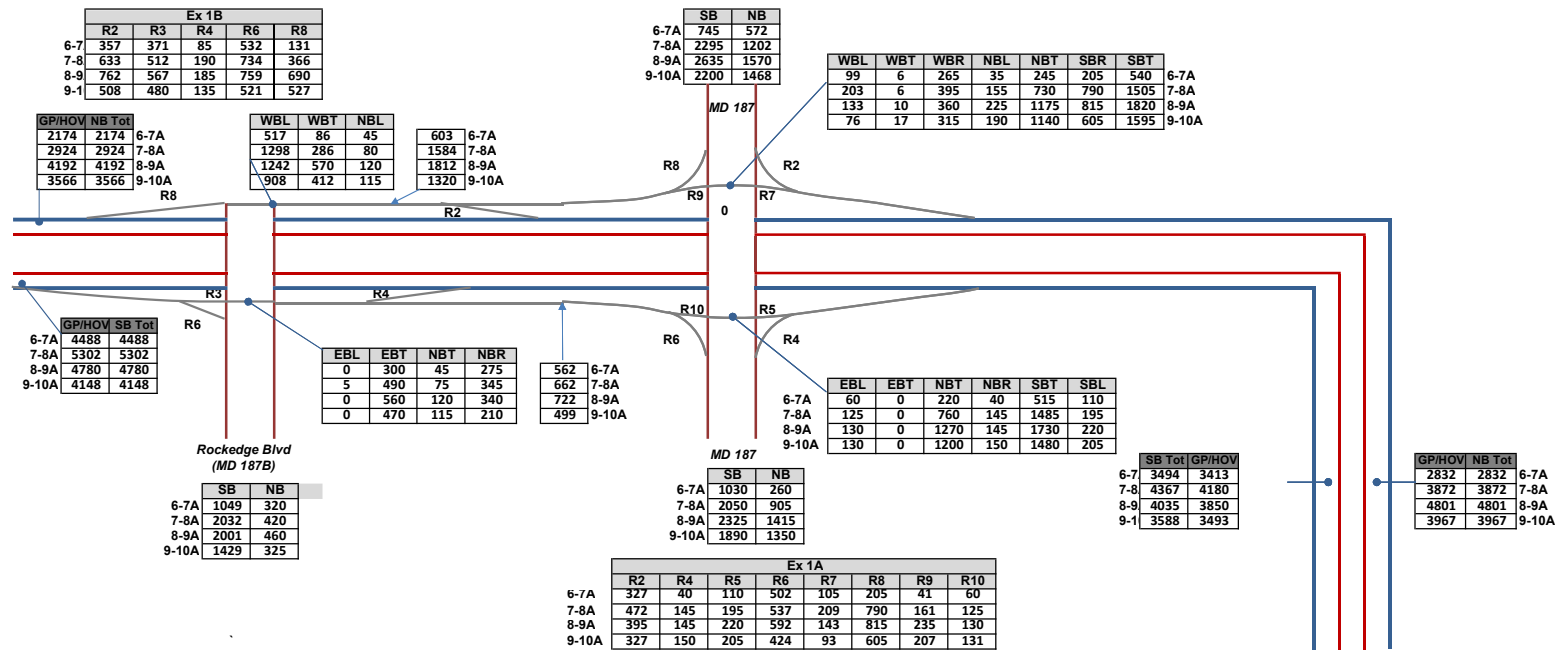
Existing Hourly AM Volume Diagram



Existing Hourly AM Volume Diagram



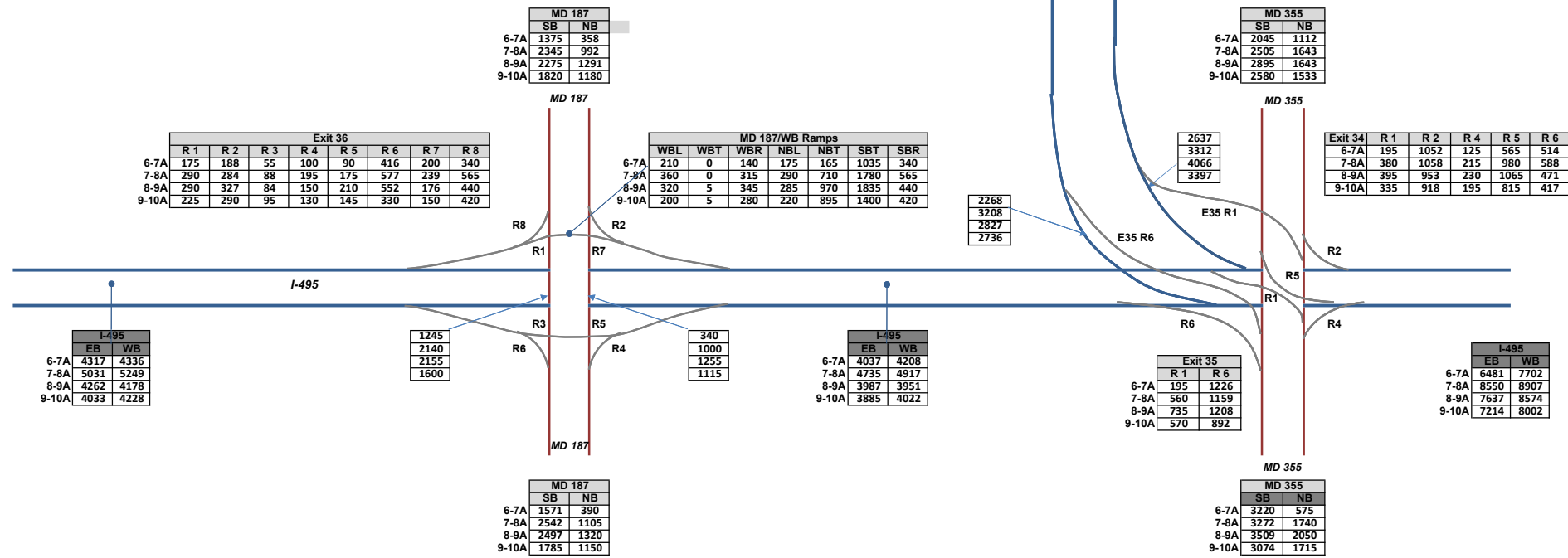
Existing Hourly AM Volume Diagram



Existing Hourly AM Volume Diagram



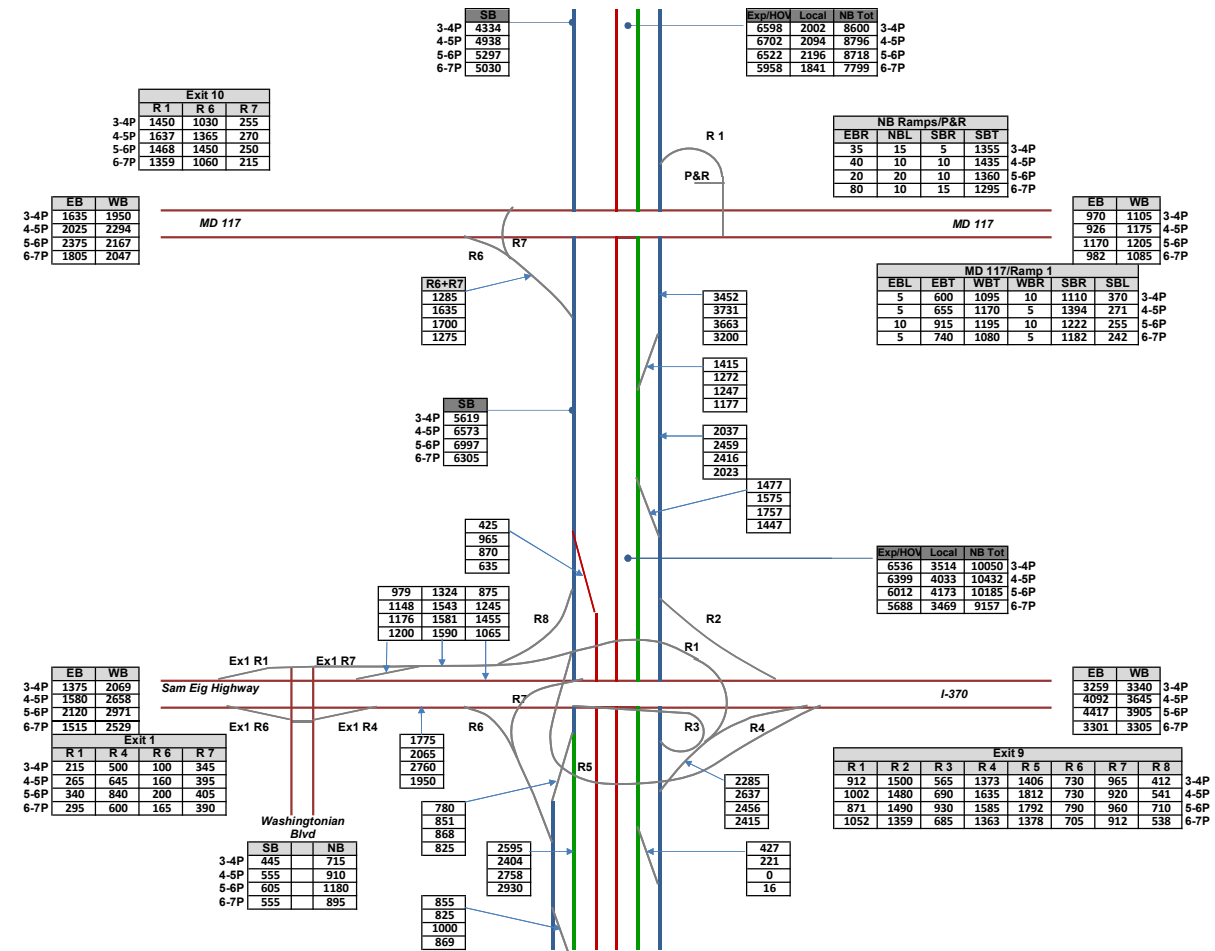
Existing Hourly AM Volume Diagram



Existing Hourly PM Volume Diagram



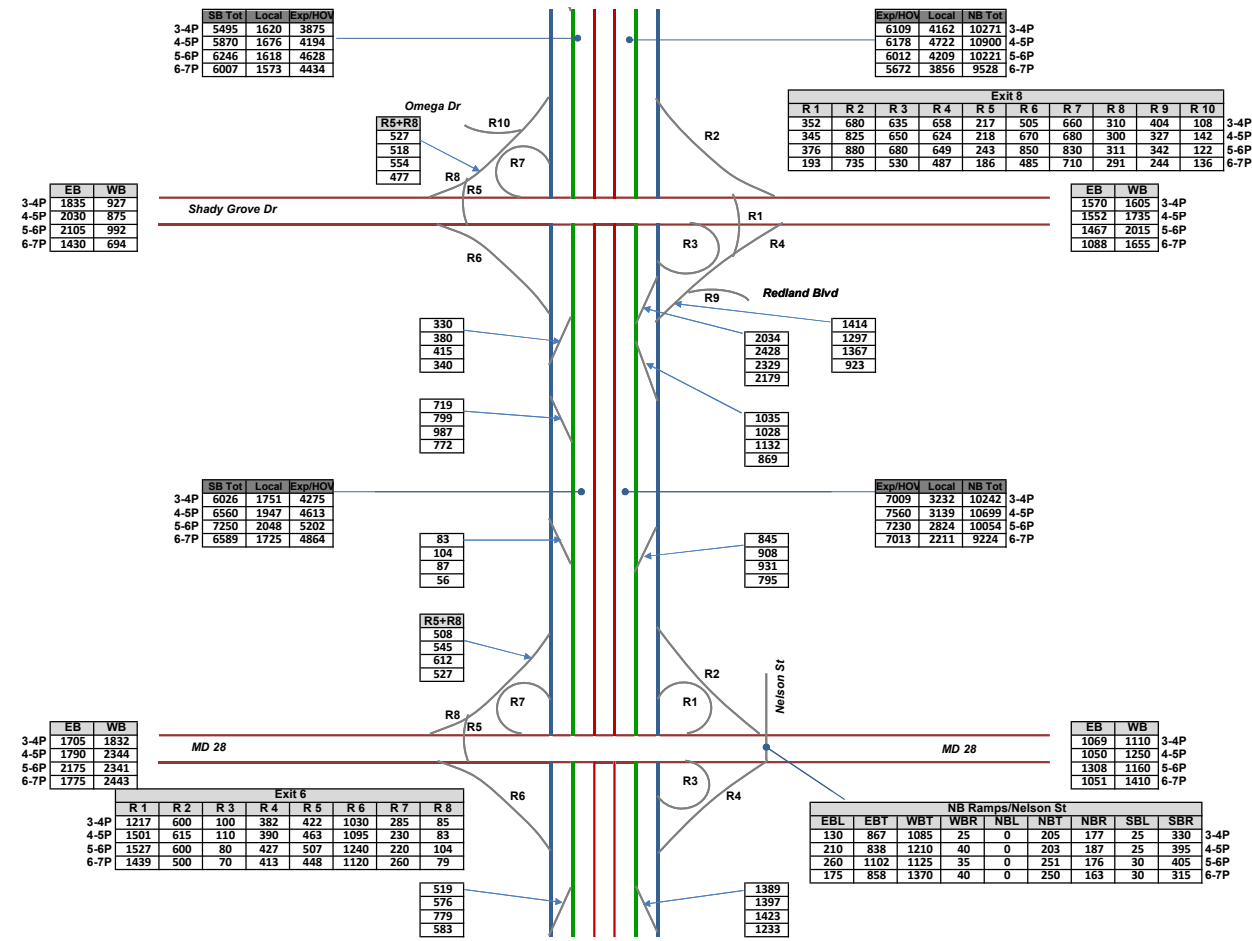
Existing Hourly PM Volume Diagram



Existing Hourly PM Volume Diagram



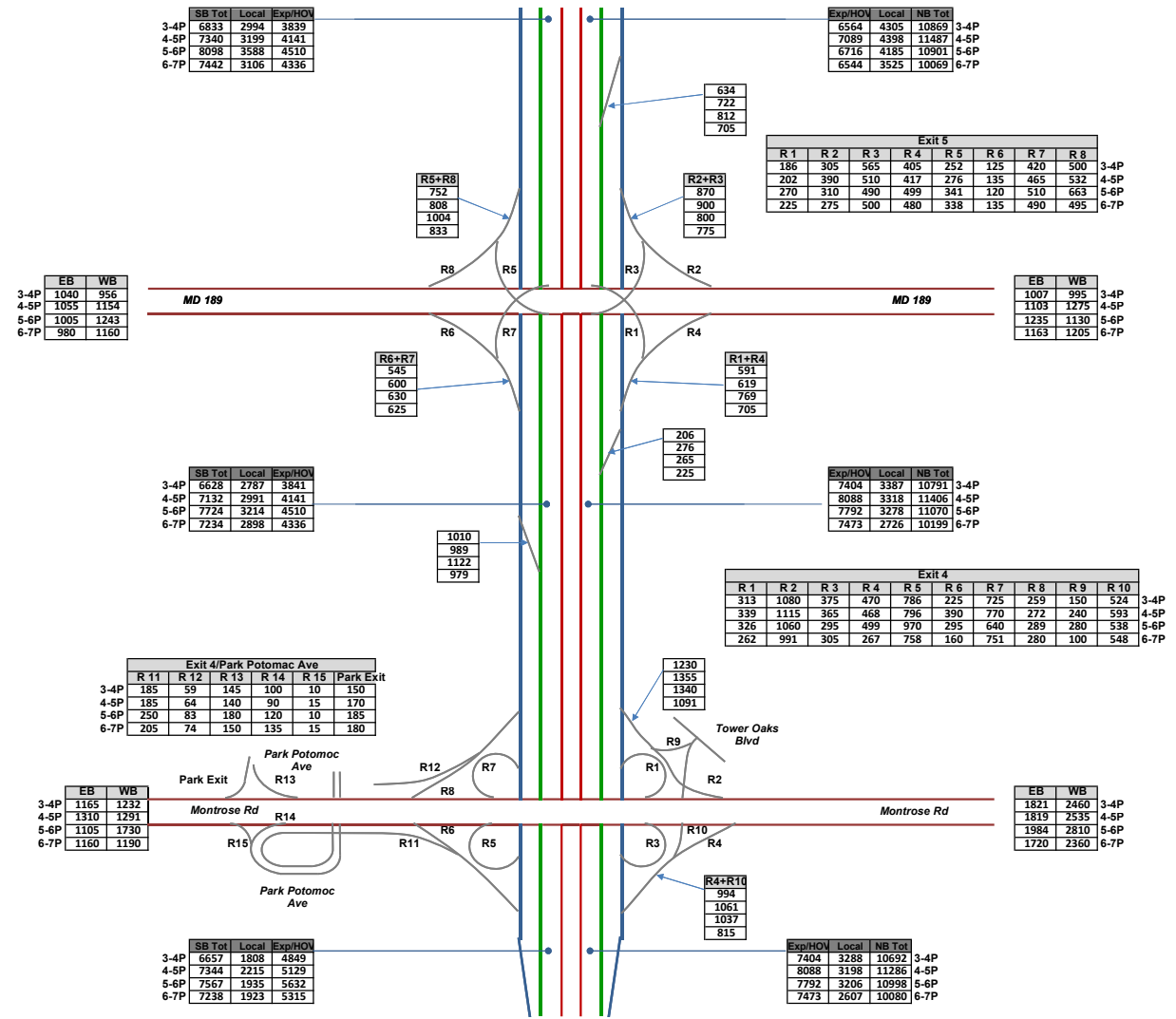
Existing Hourly PM Volume Diagram



Existing Hourly PM Volume Diagram



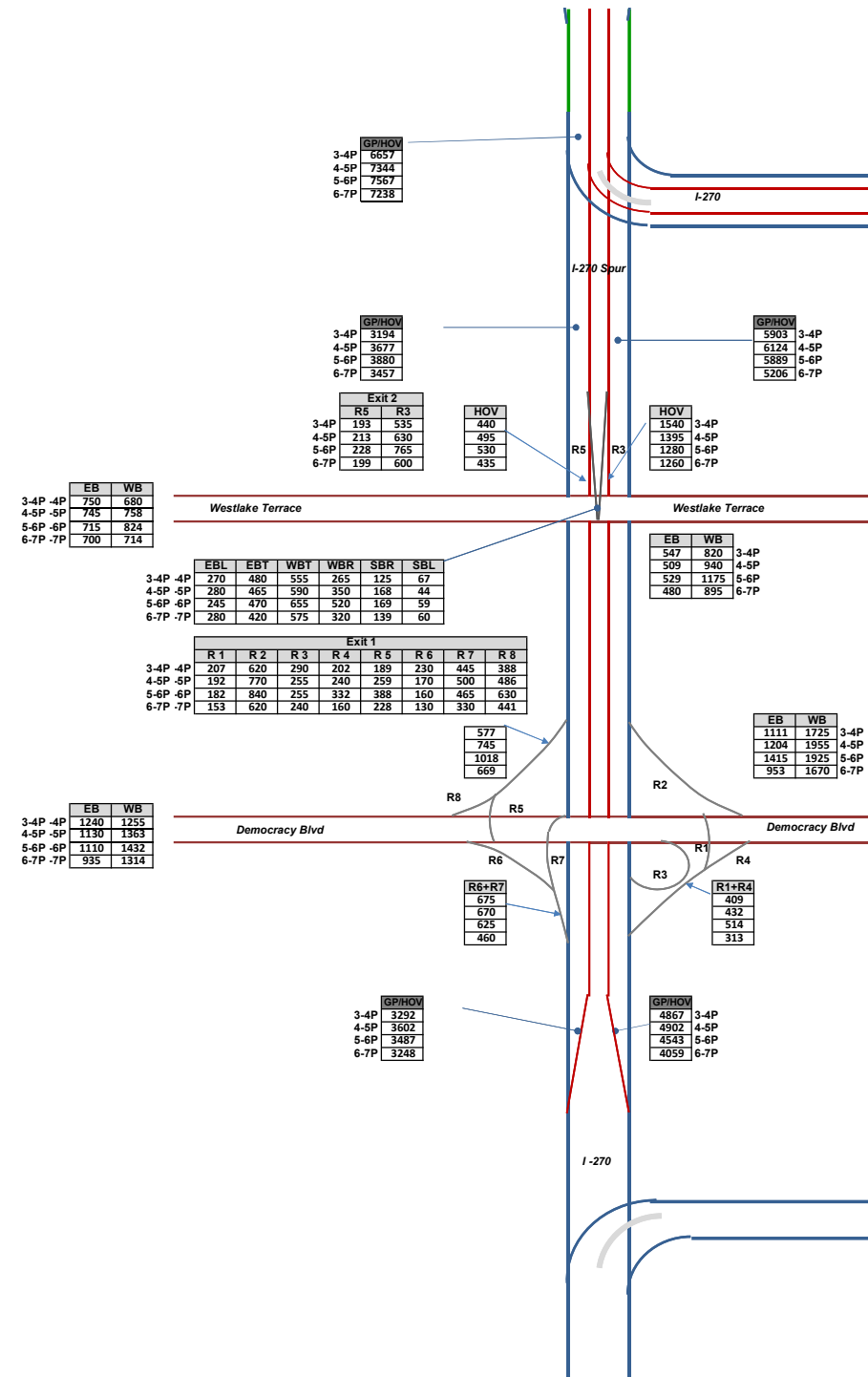
Existing Hourly PM Volume Diagram



Existing Hourly PM Volume Diagram



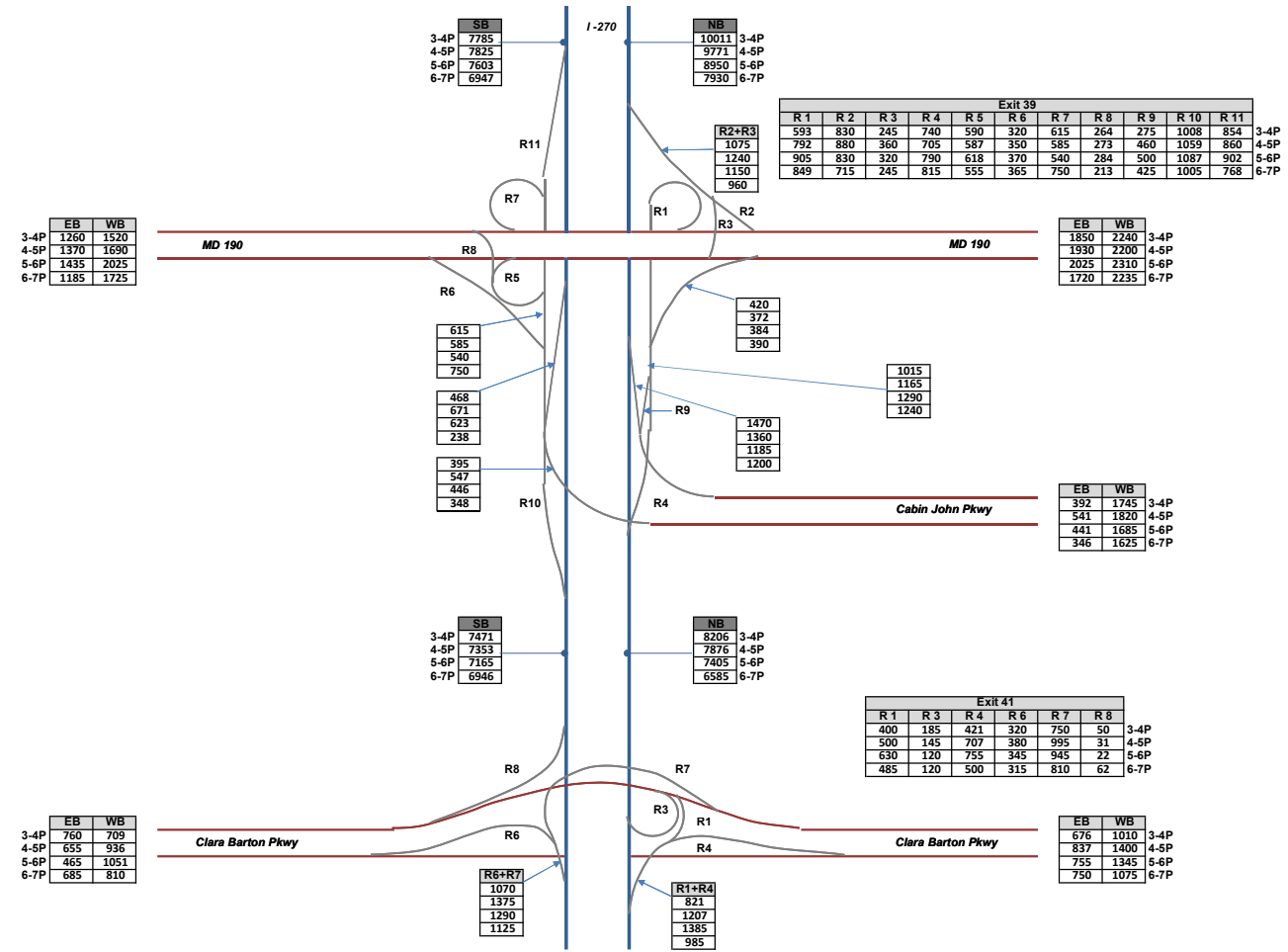
Existing Hourly PM Volume Diagram



Existing Hourly PM Volume Diagram



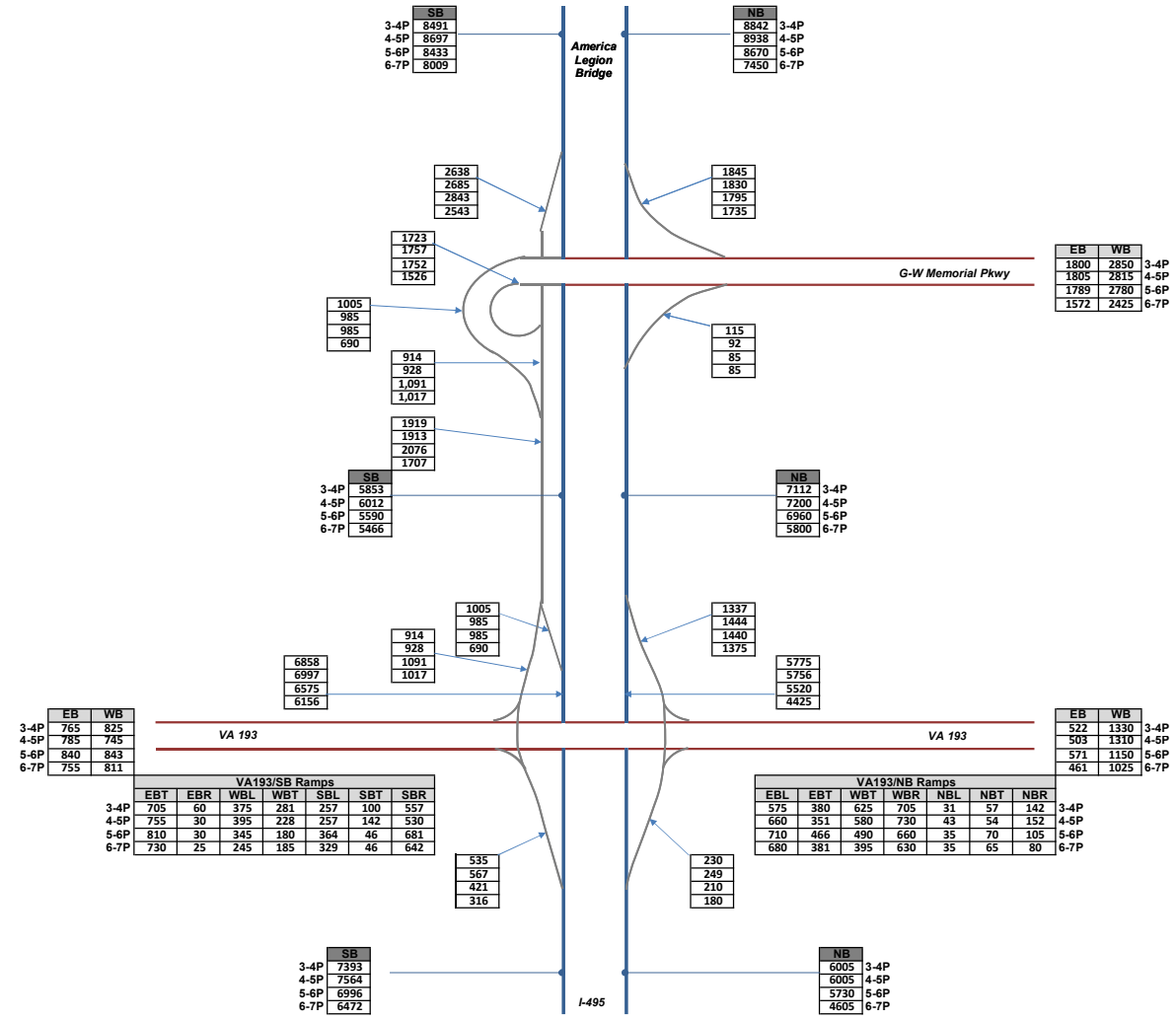
Existing Hourly PM Volume Diagram



Existing Hourly PM Volume Diagram



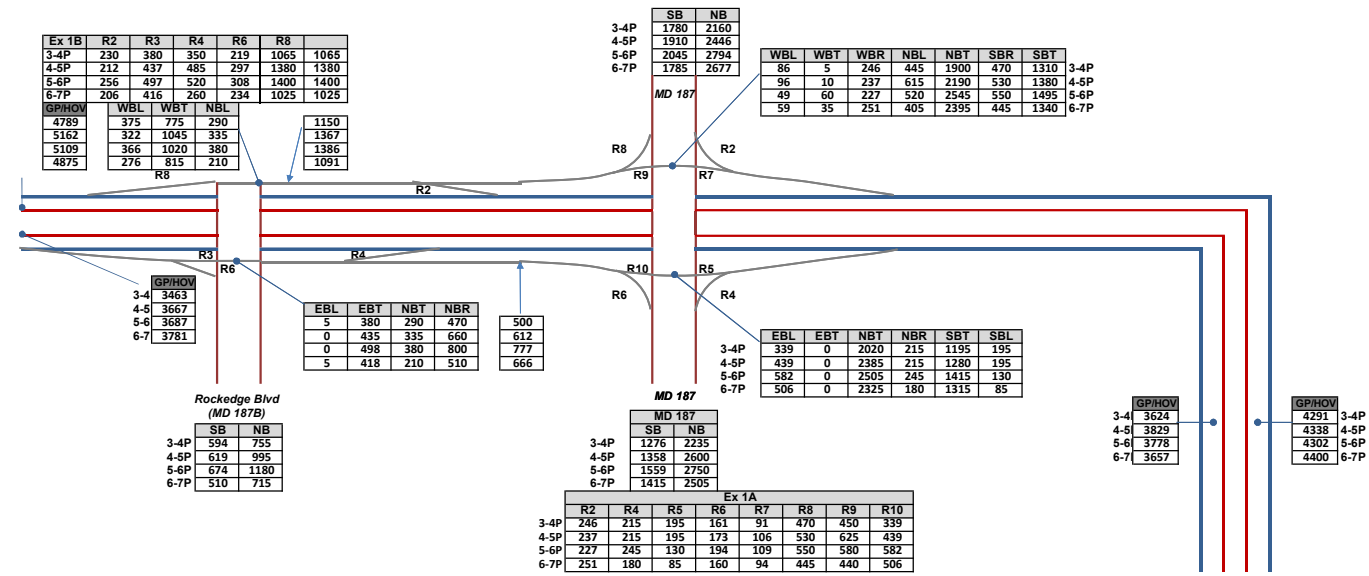
Existing Hourly PM Volume Diagram



Existing Hourly PM Volume Diagram



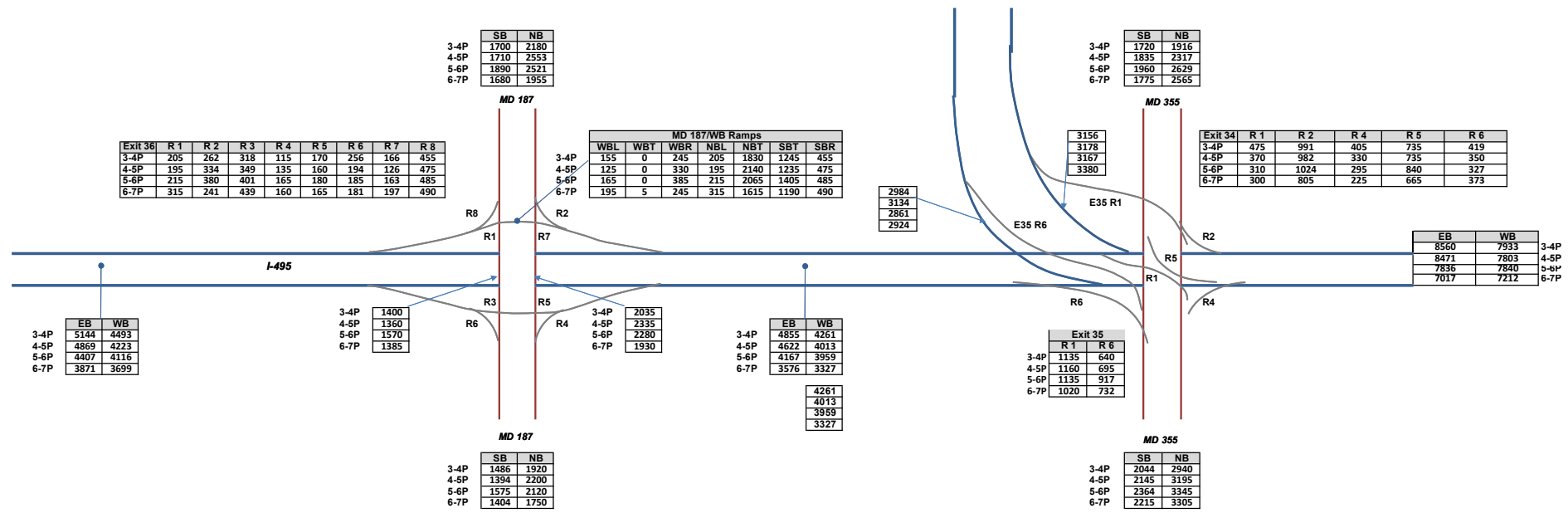
Existing Hourly PM Volume Diagram



Existing Hourly PM Volume Diagram



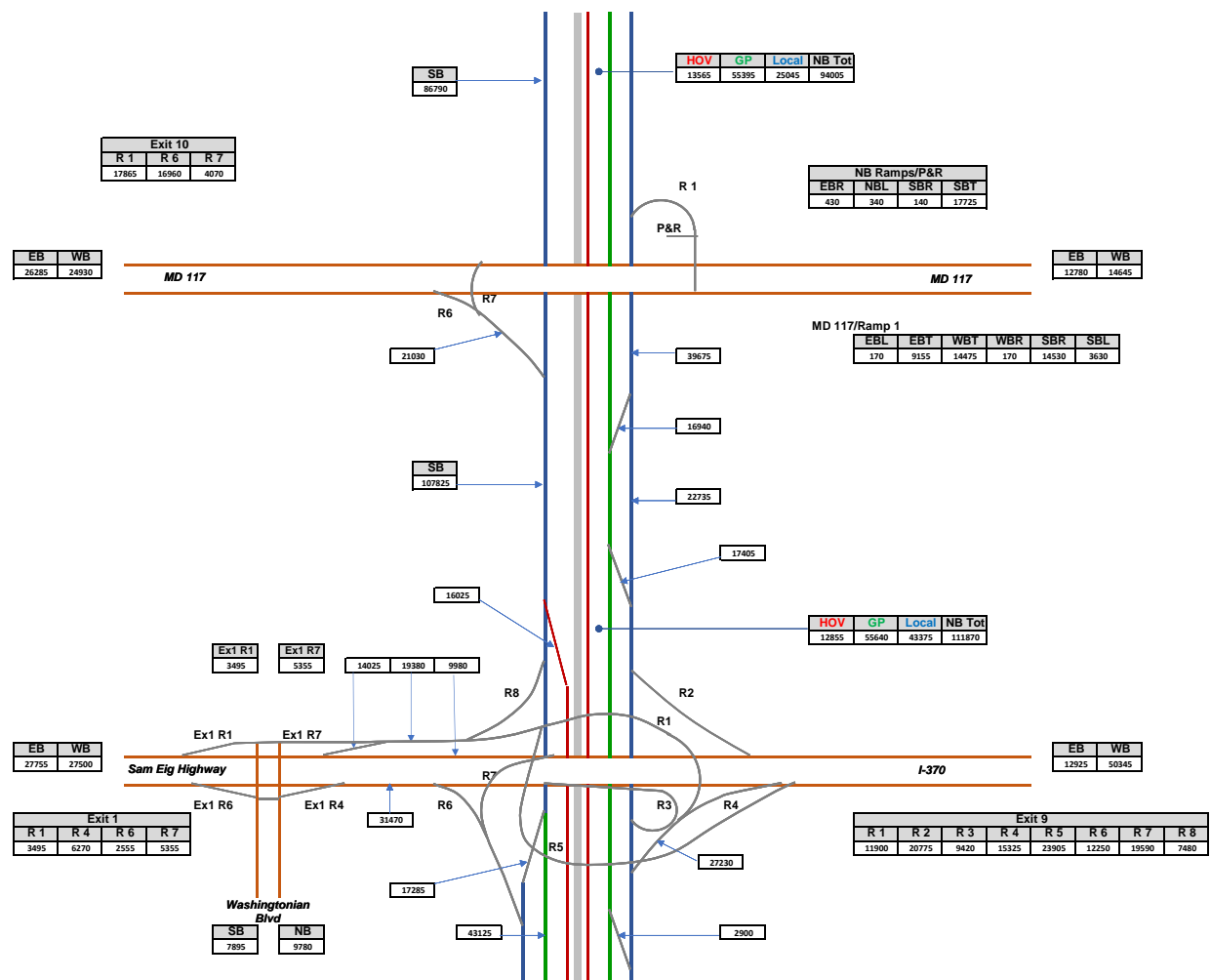
Existing Hourly PM Volume Diagram



Existing Hourly PM Volume Diagram



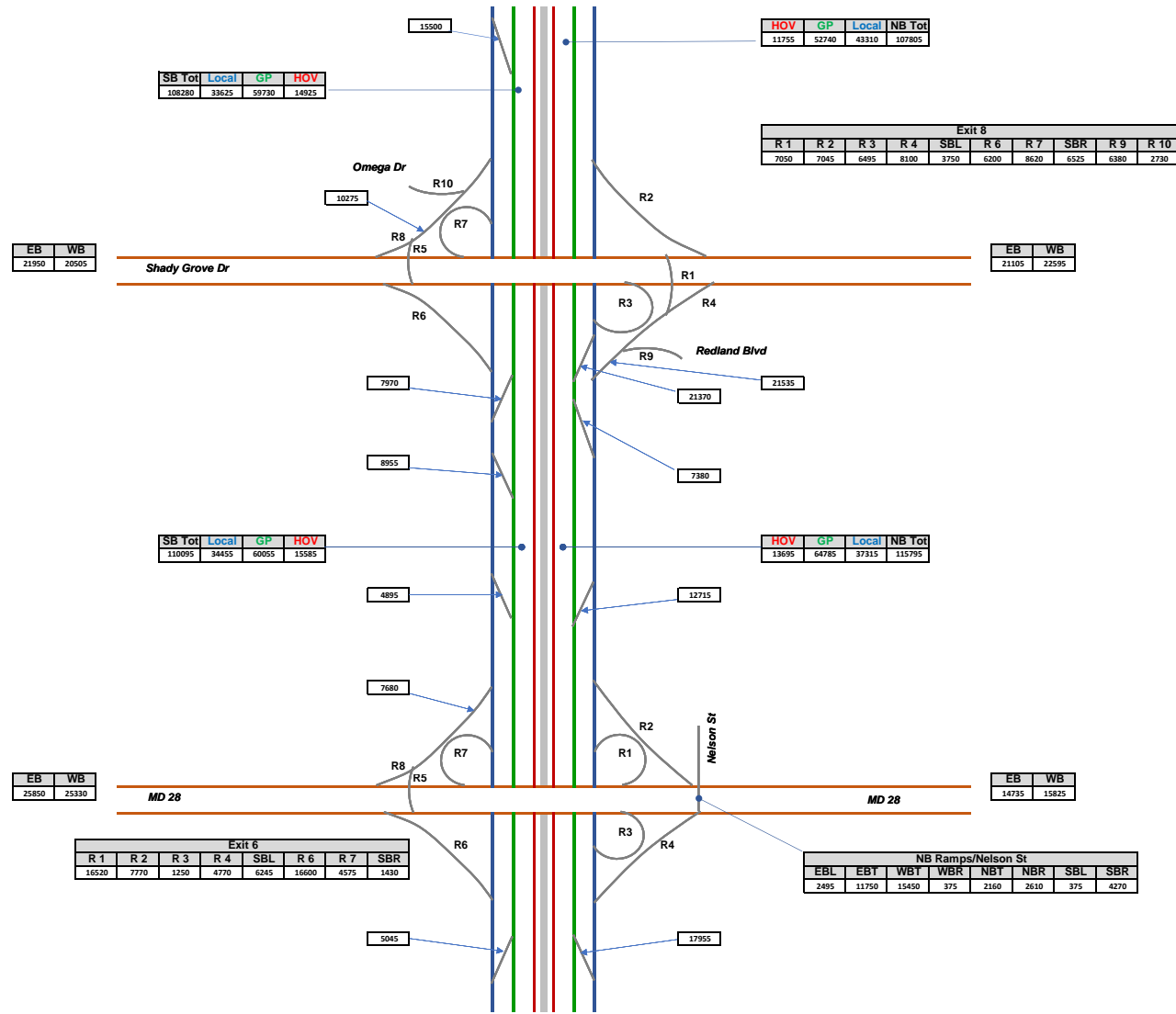
Existing ADT Volume Diagram



Existing ADT Volume Diagram



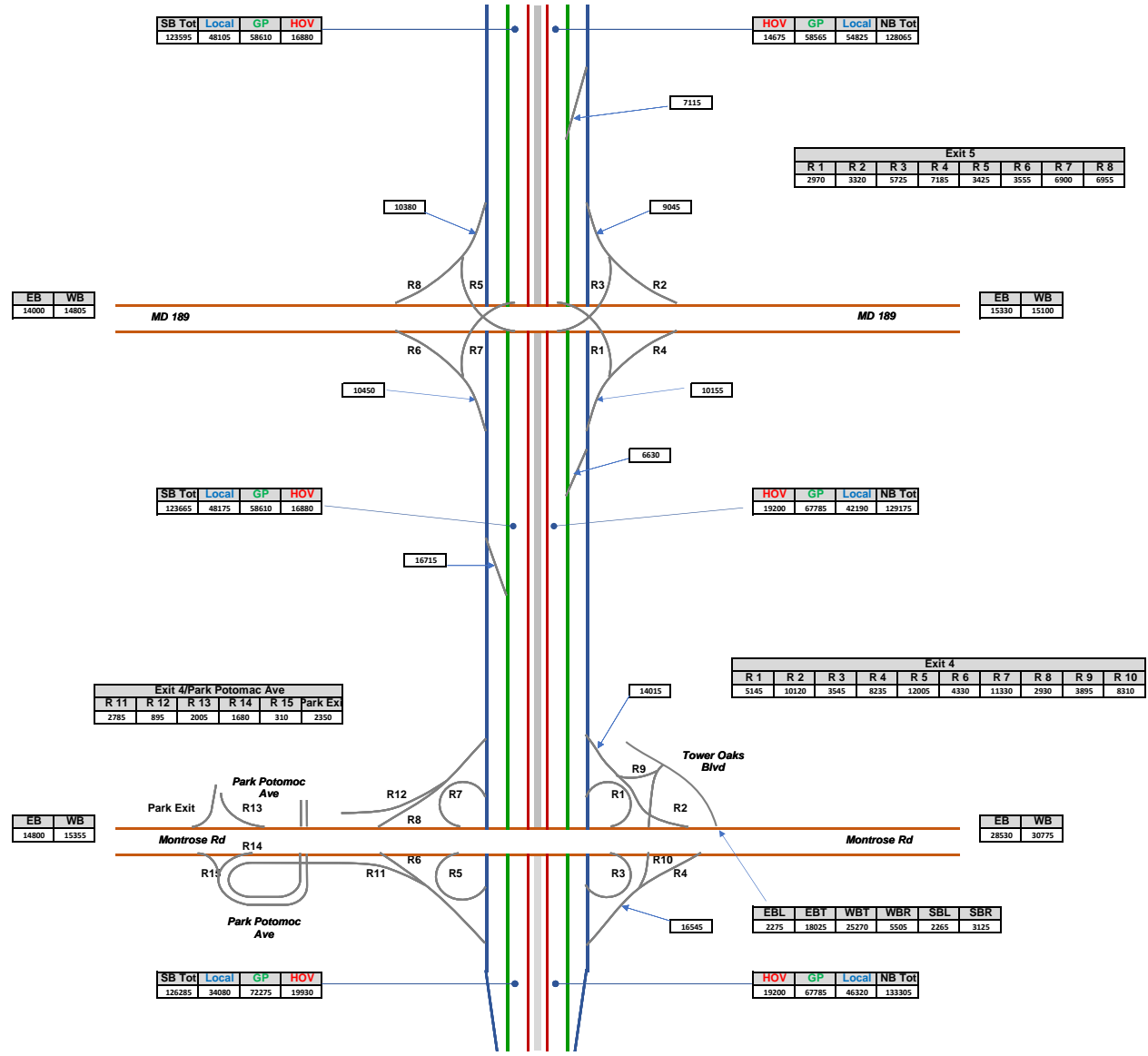
Existing ADT Volume Diagram



Existing ADT Volume Diagram



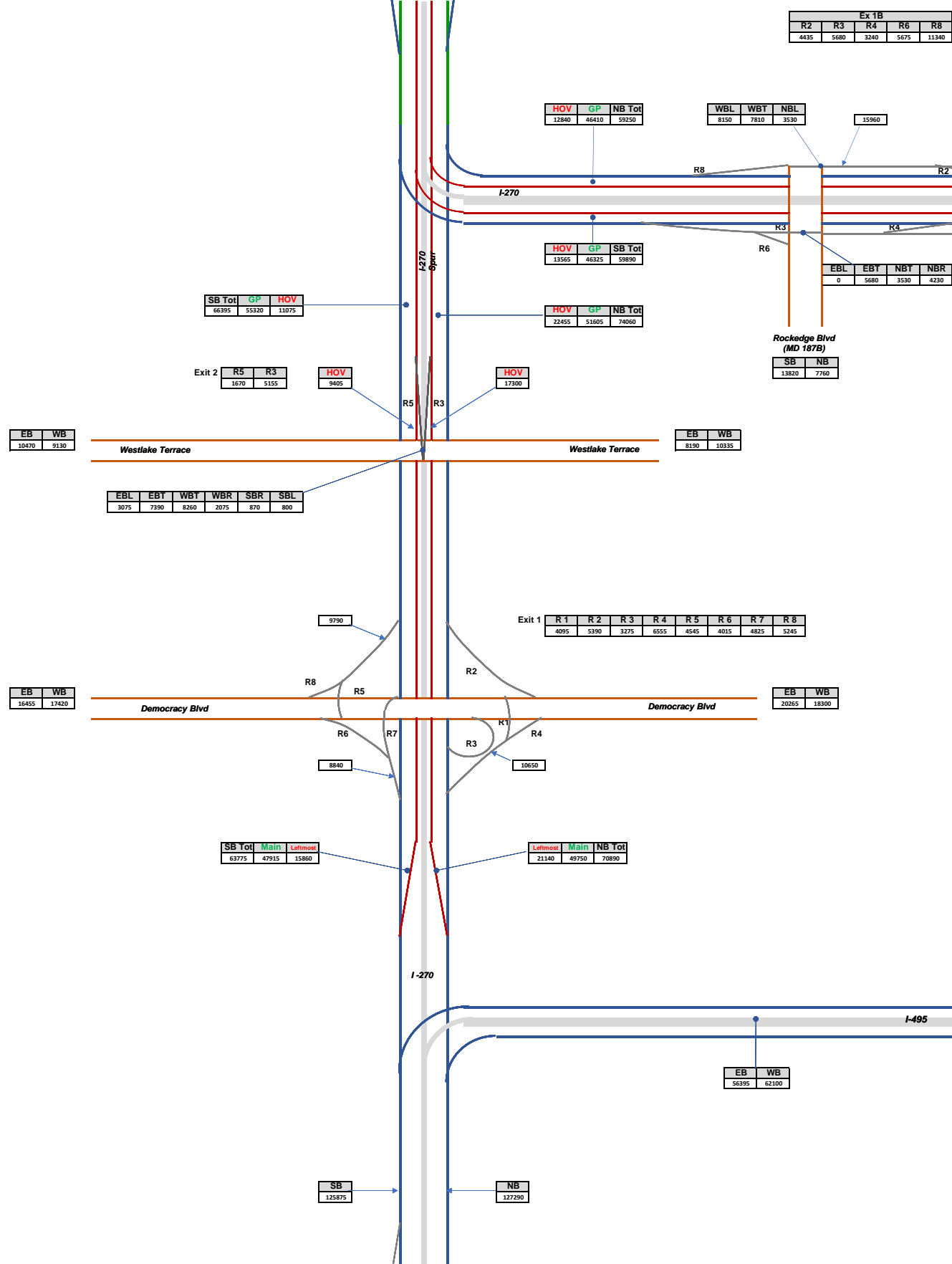
Existing ADT Volume Diagram



Existing ADT Volume Diagram



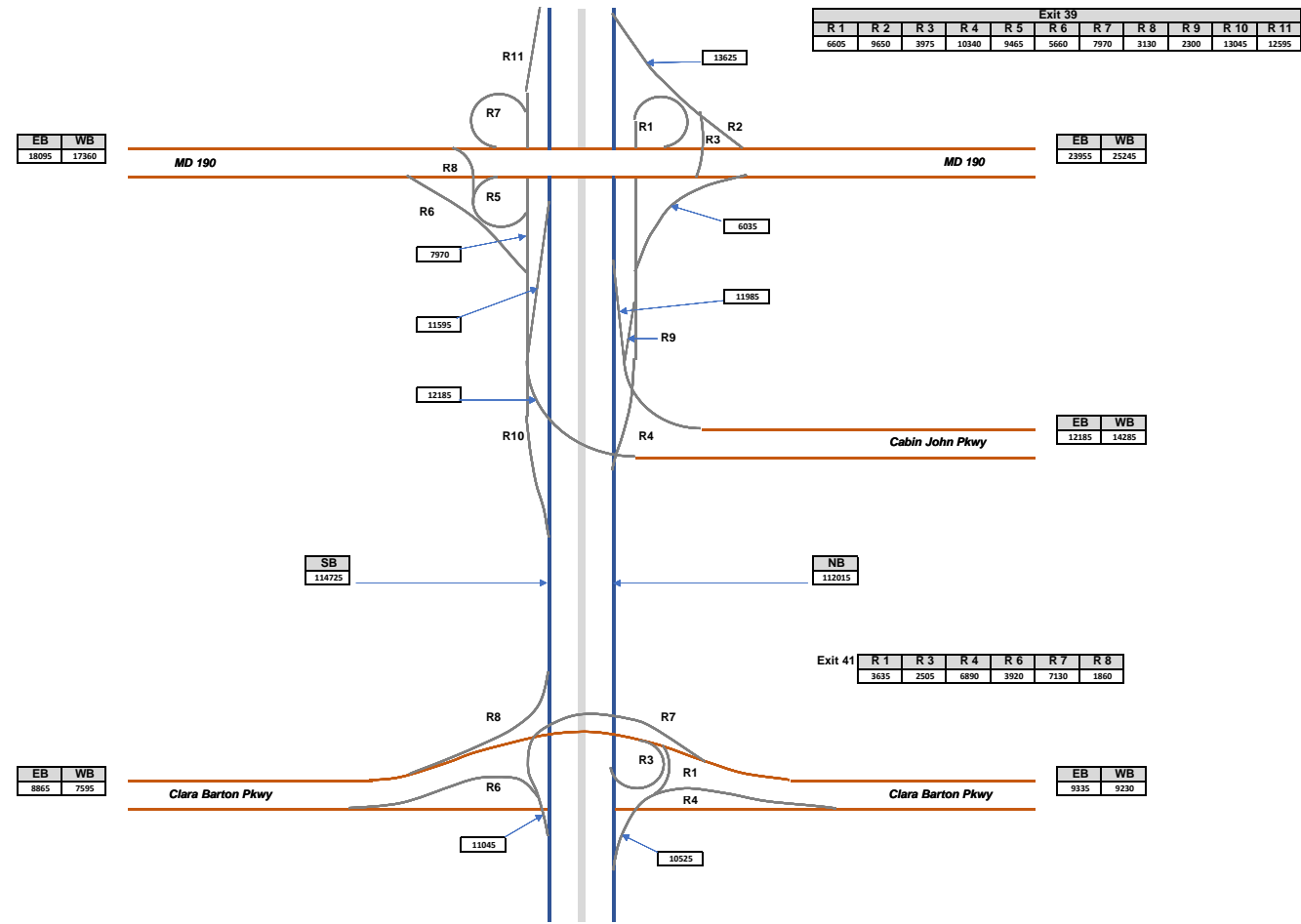
Existing ADT Volume Diagram



Existing ADT Volume Diagram



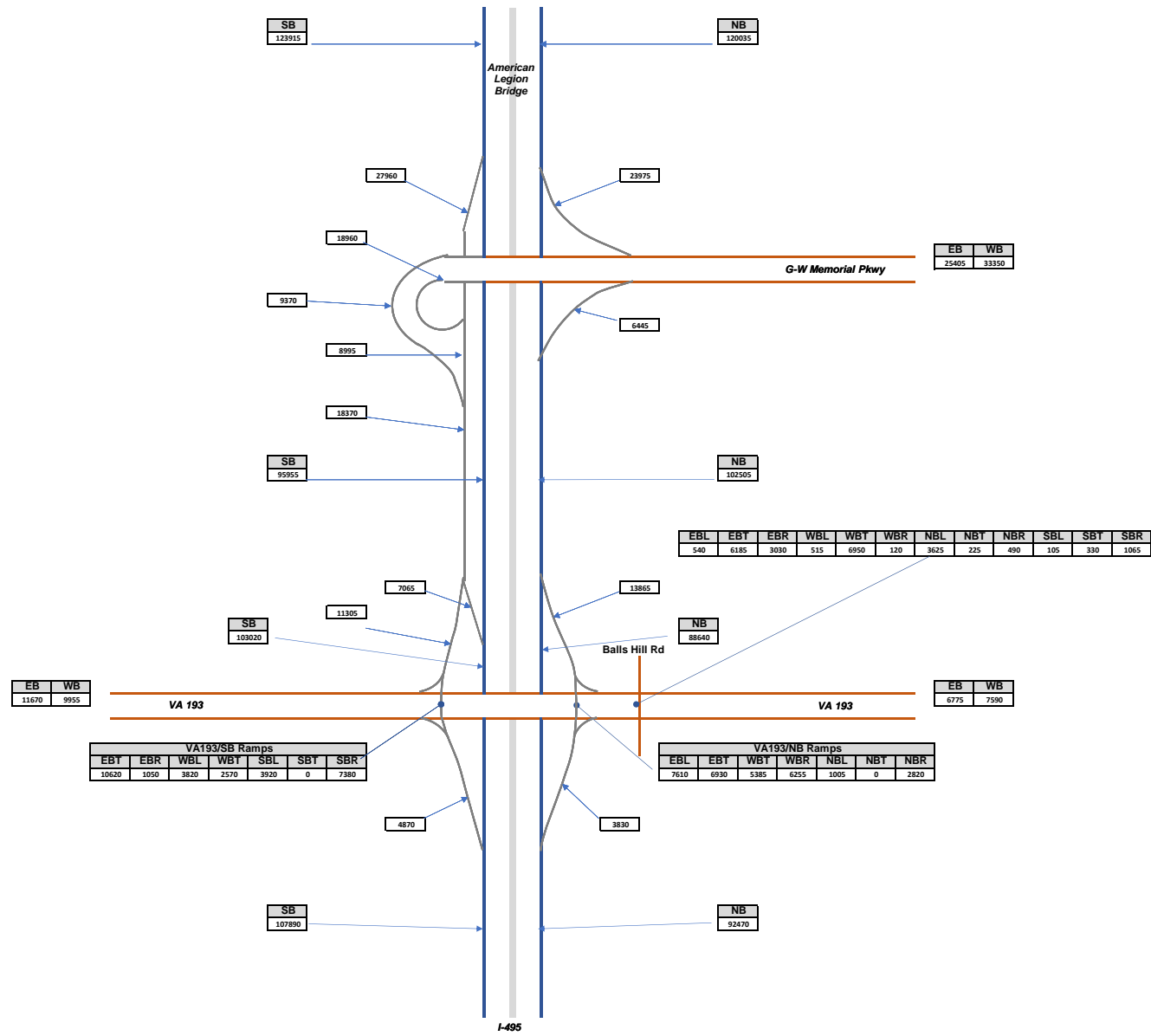
Existing ADT Volume Diagram



Existing ADT Volume Diagram



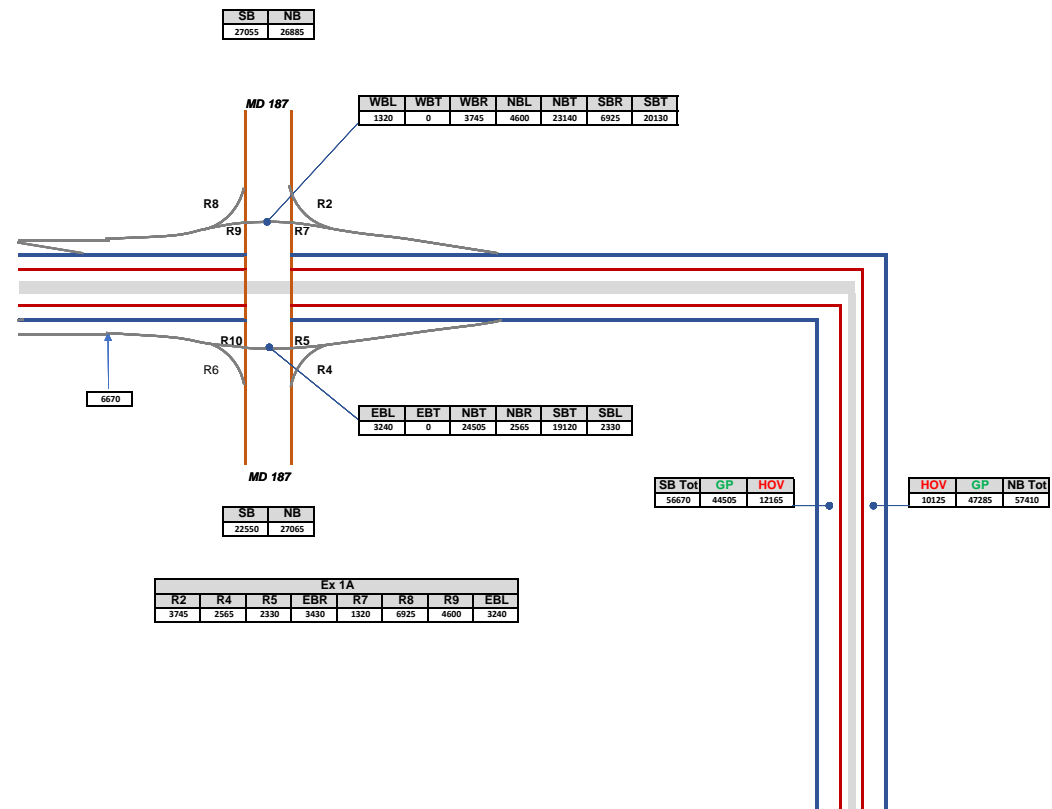
Existing ADT Volume Diagram



Existing ADT Volume Diagram



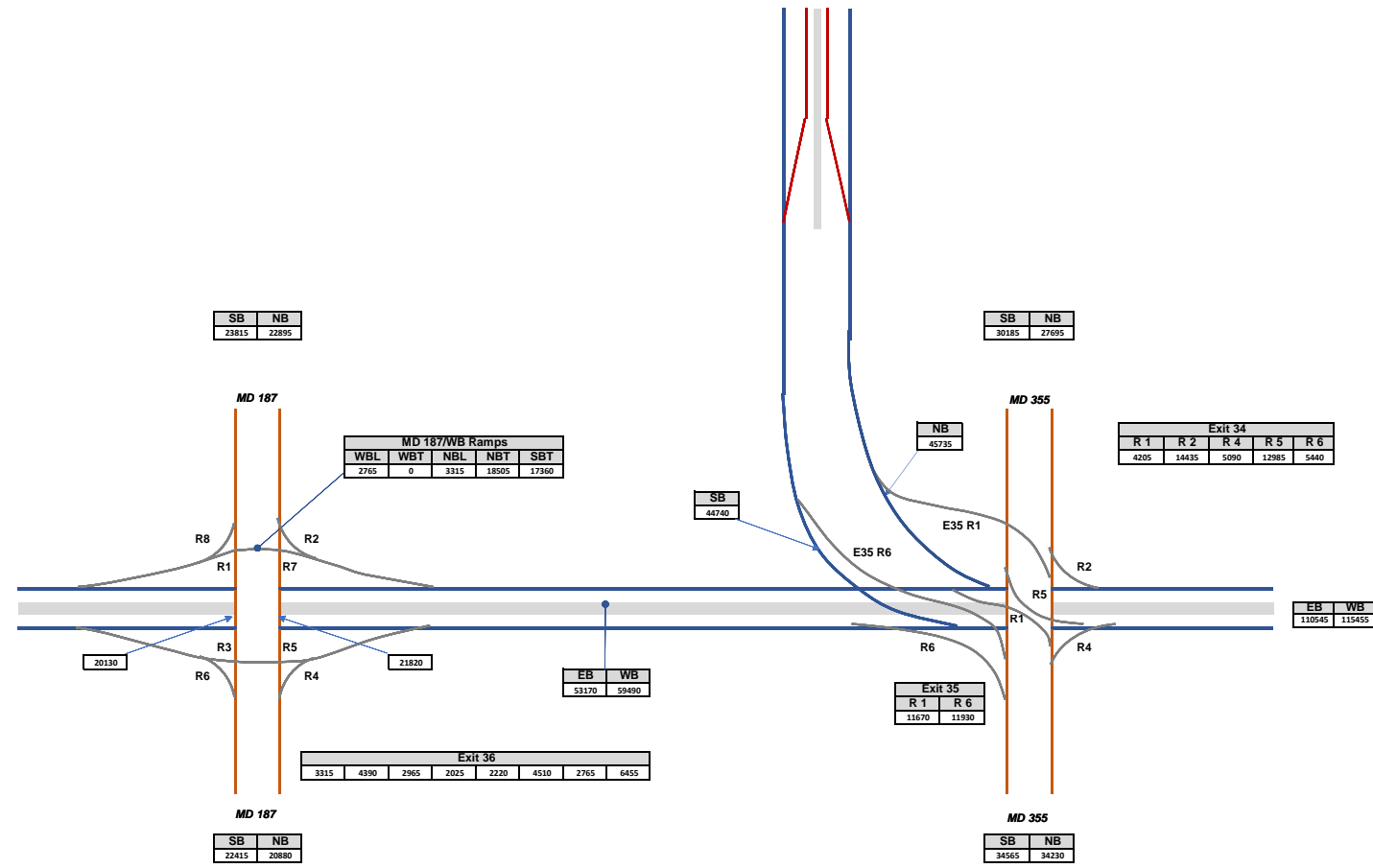
Existing ADT Volume Diagram



Existing ADT Volume Diagram



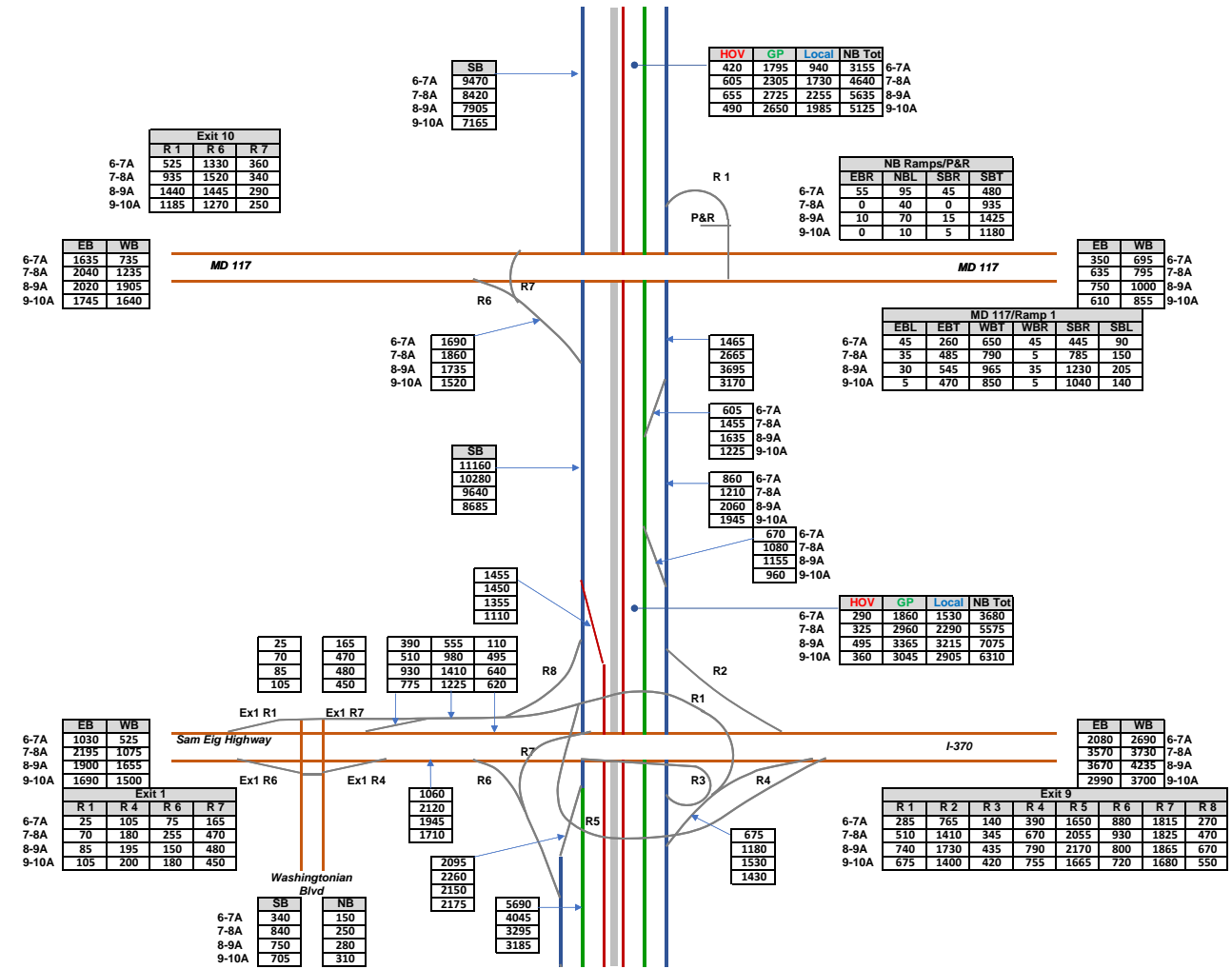
Existing ADT Volume Diagram



Existing ADT Volume Diagram



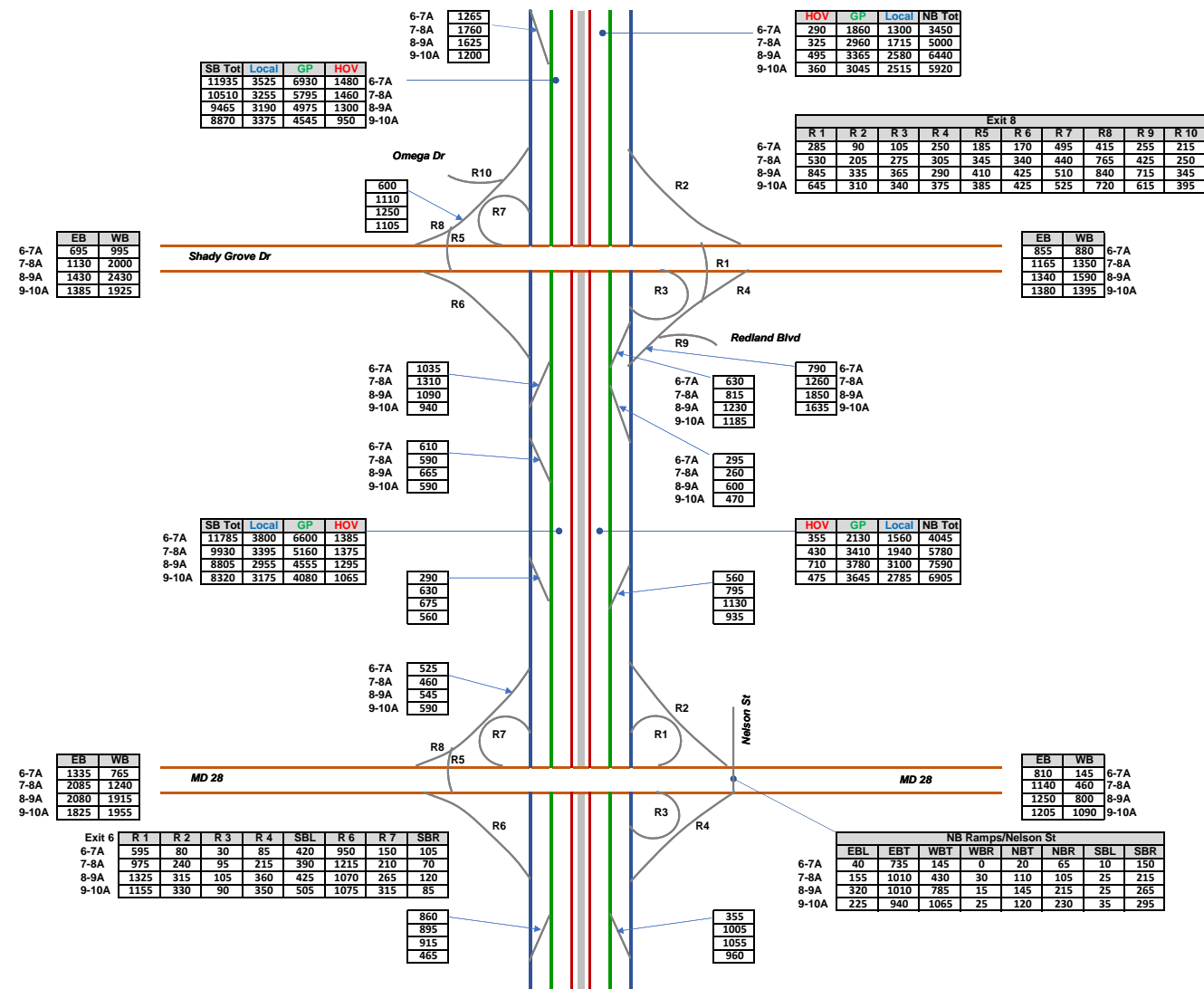
2027 No-Build Hourly AM Volume Diagram



2027 No-Build Hourly AM Volume Diagram



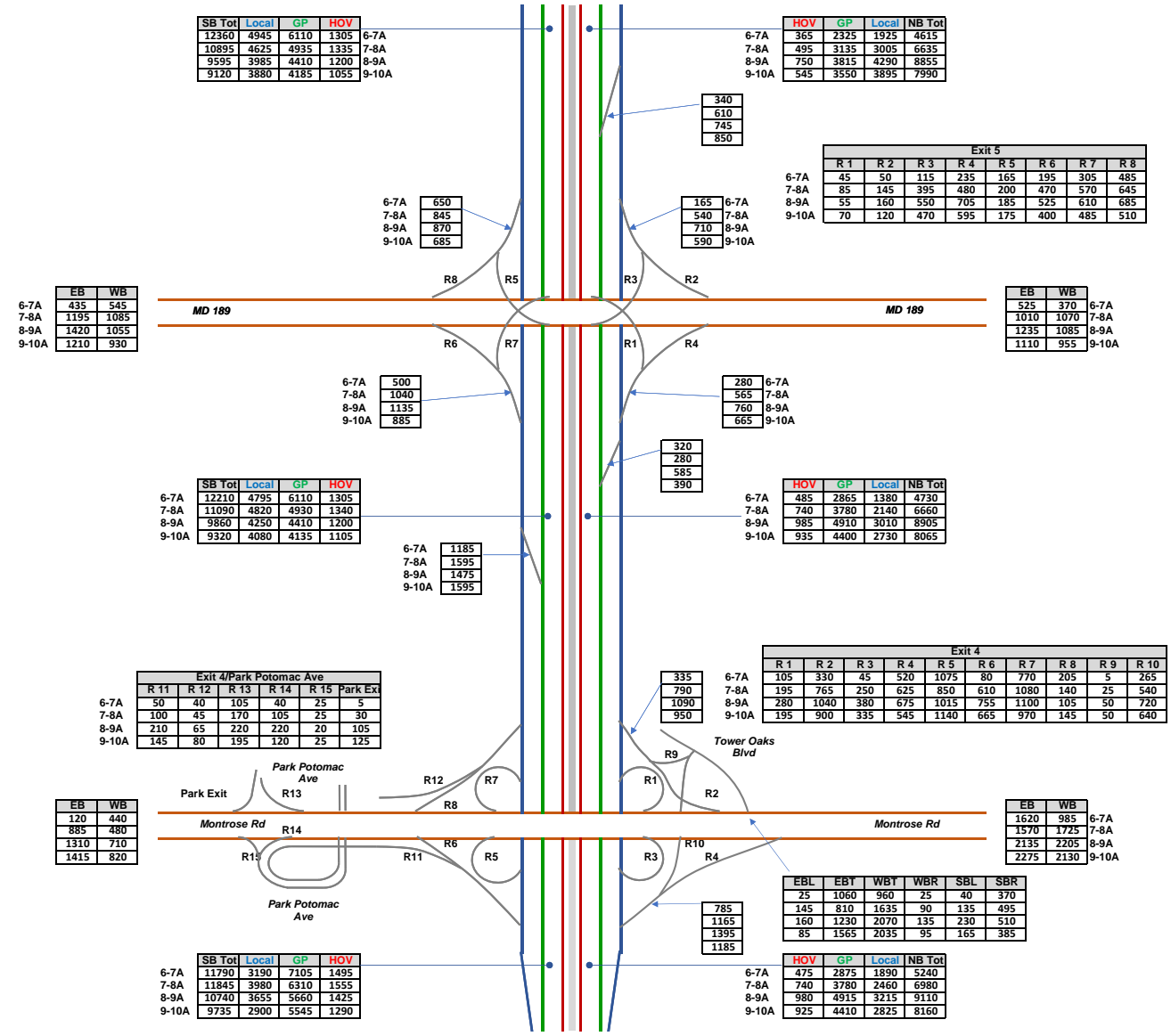
2027 No-Build Hourly AM Volume Diagram



2027 No-Build Hourly AM Volume Diagram



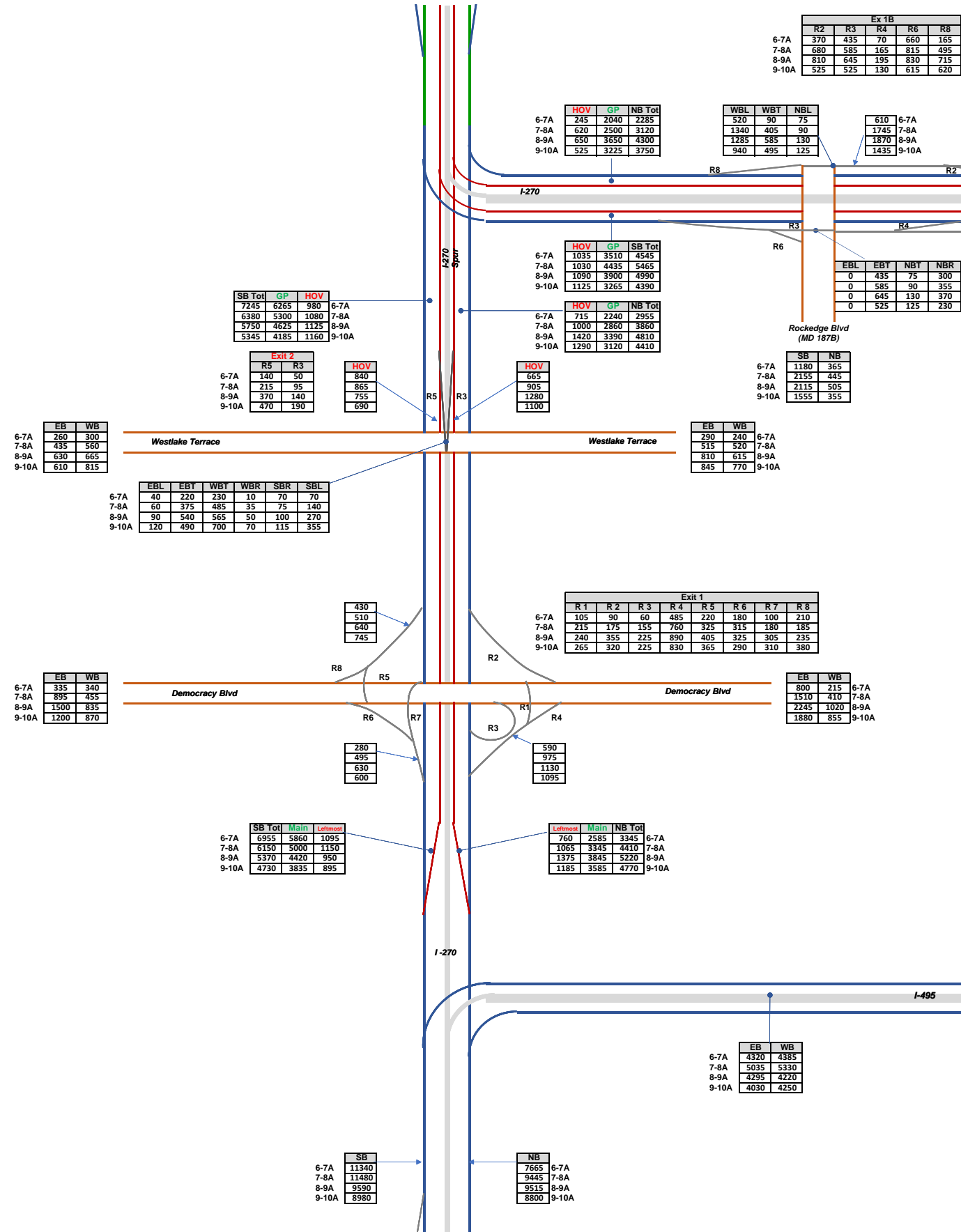
2027 No-Build Hourly AM Volume Diagram



2027 No-Build Hourly AM Volume Diagram



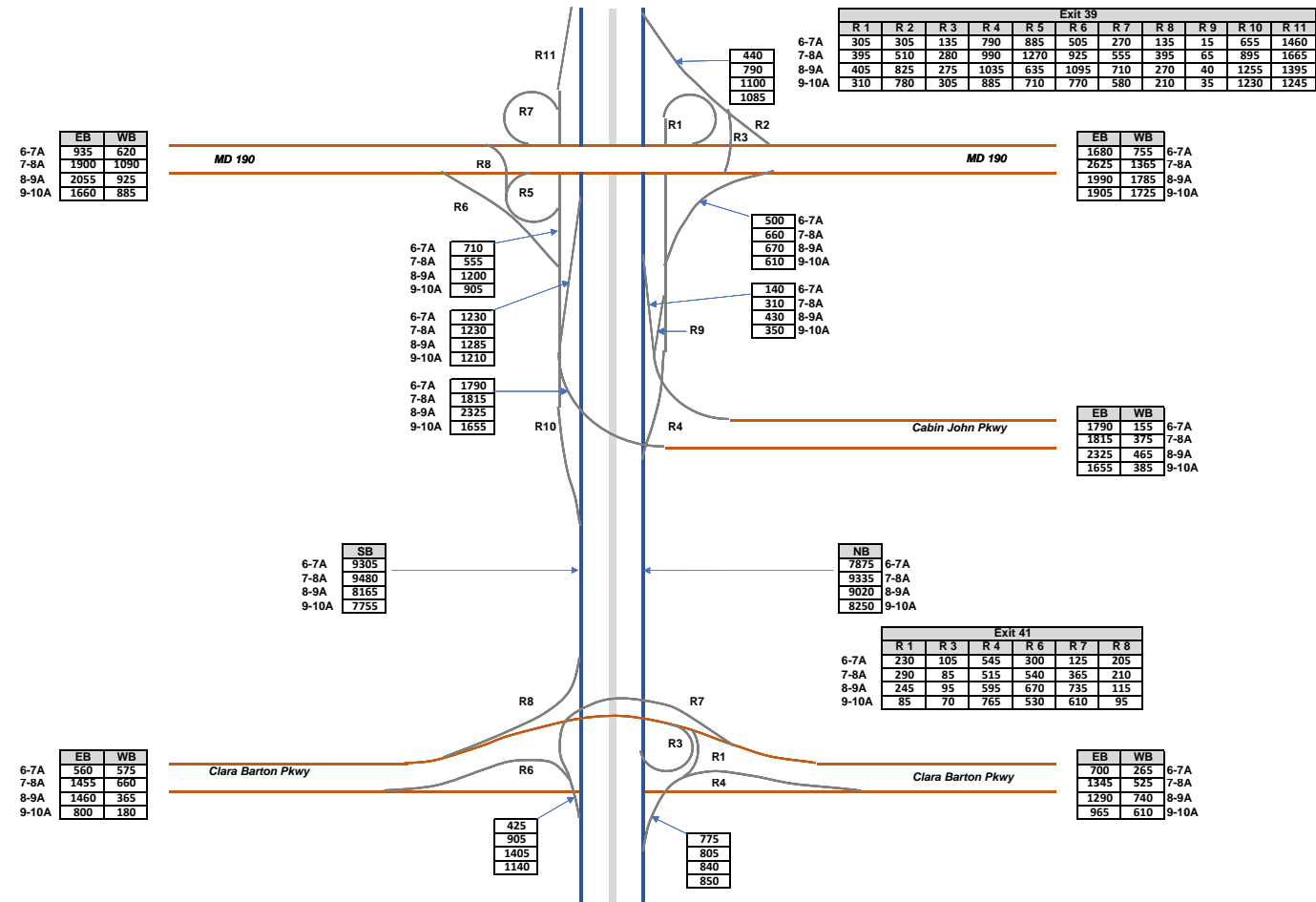
2027 No-Build Hourly AM Volume Diagram



2027 No-Build Hourly AM Volume Diagram



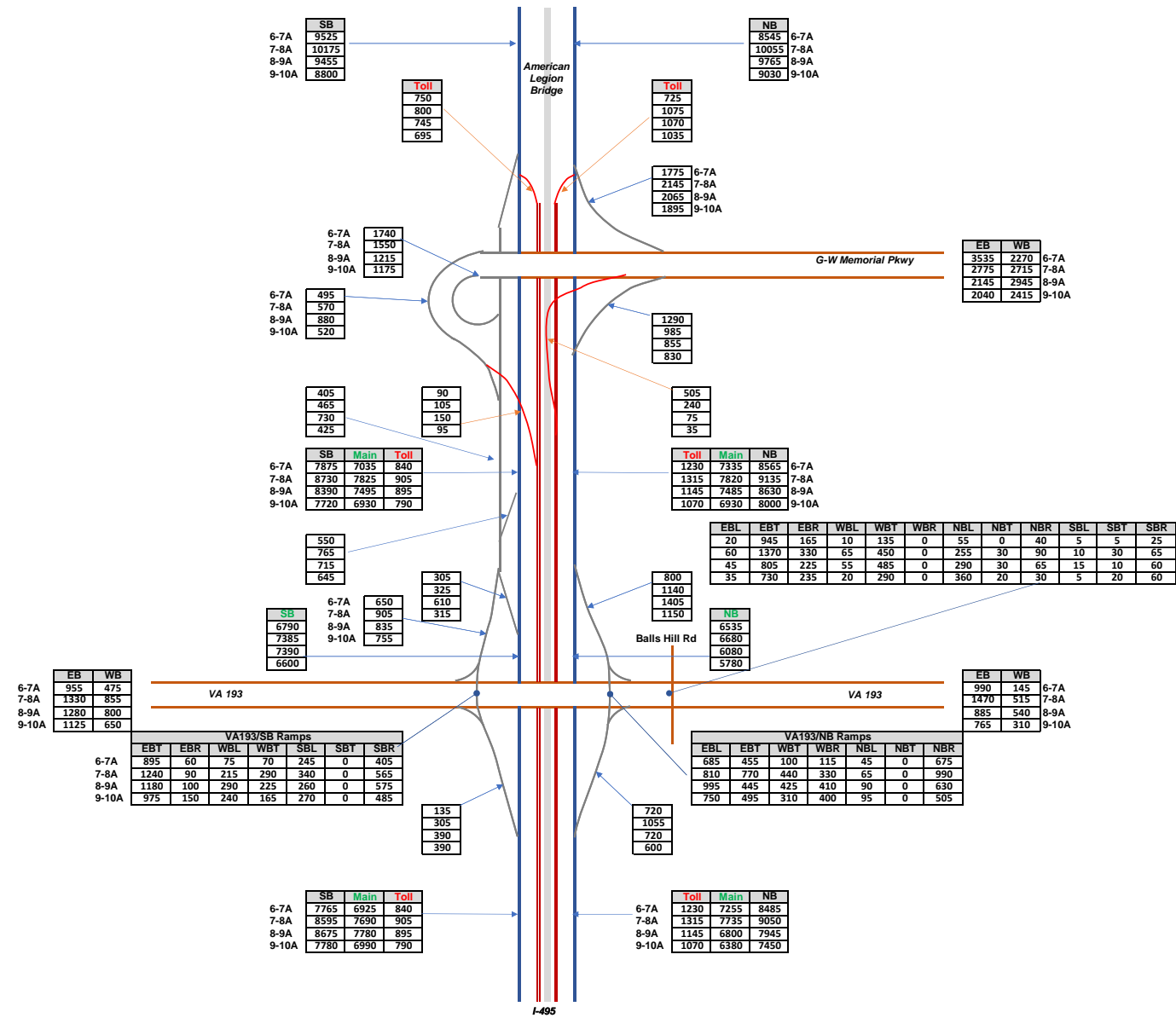
2027 No-Build Hourly AM Volume Diagram



2027 No-Build Hourly AM Volume Diagram



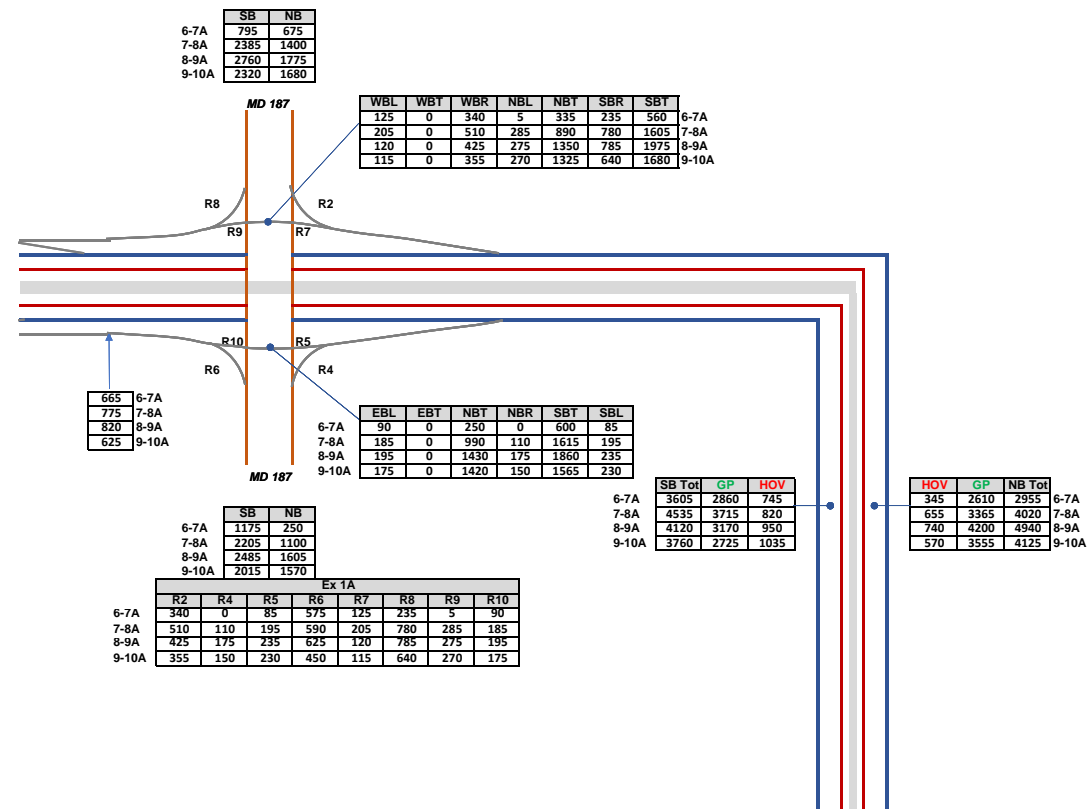
2027 No-Build Hourly AM Volume Diagram



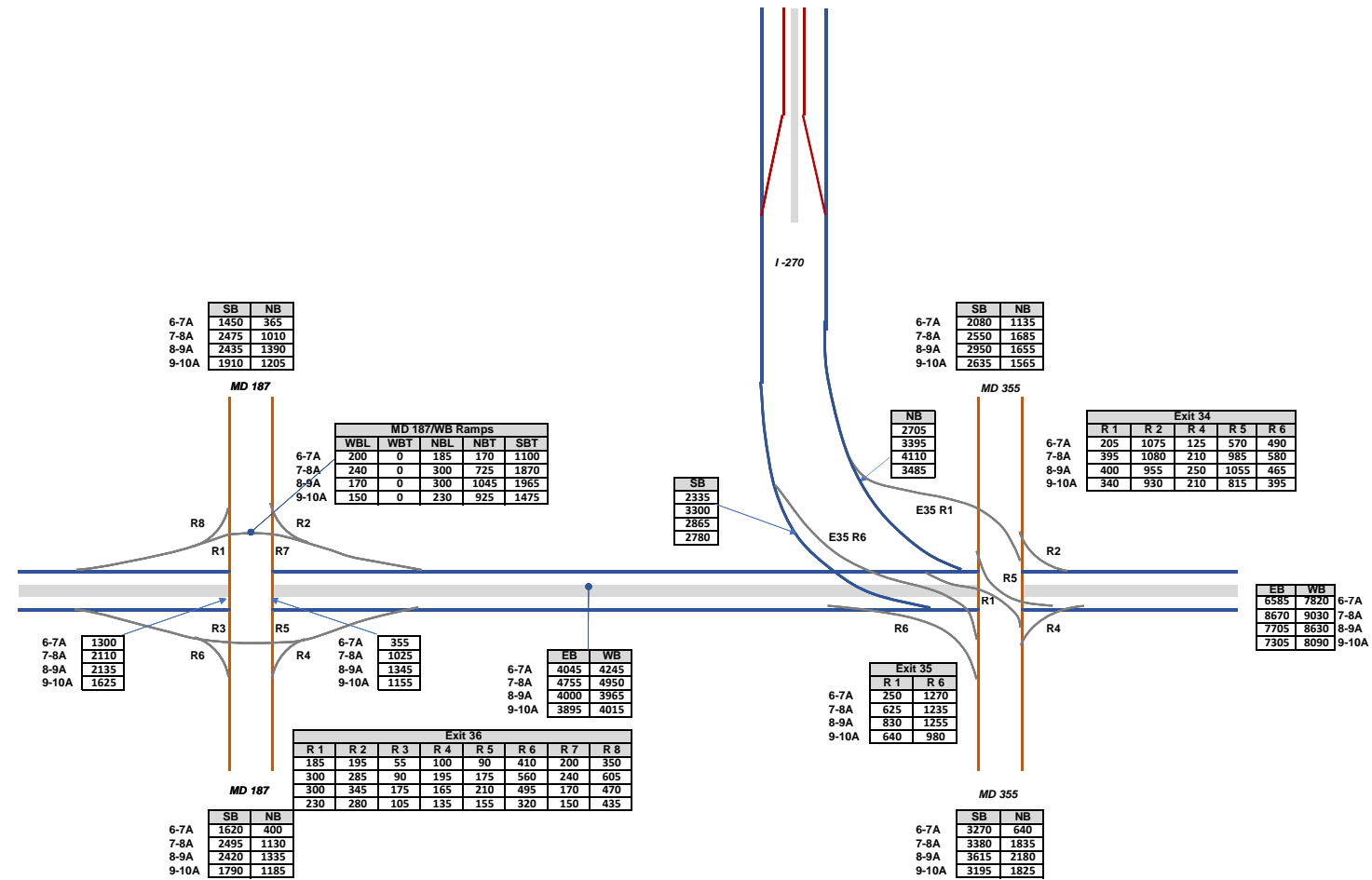
2027 No-Build Hourly AM Volume Diagram



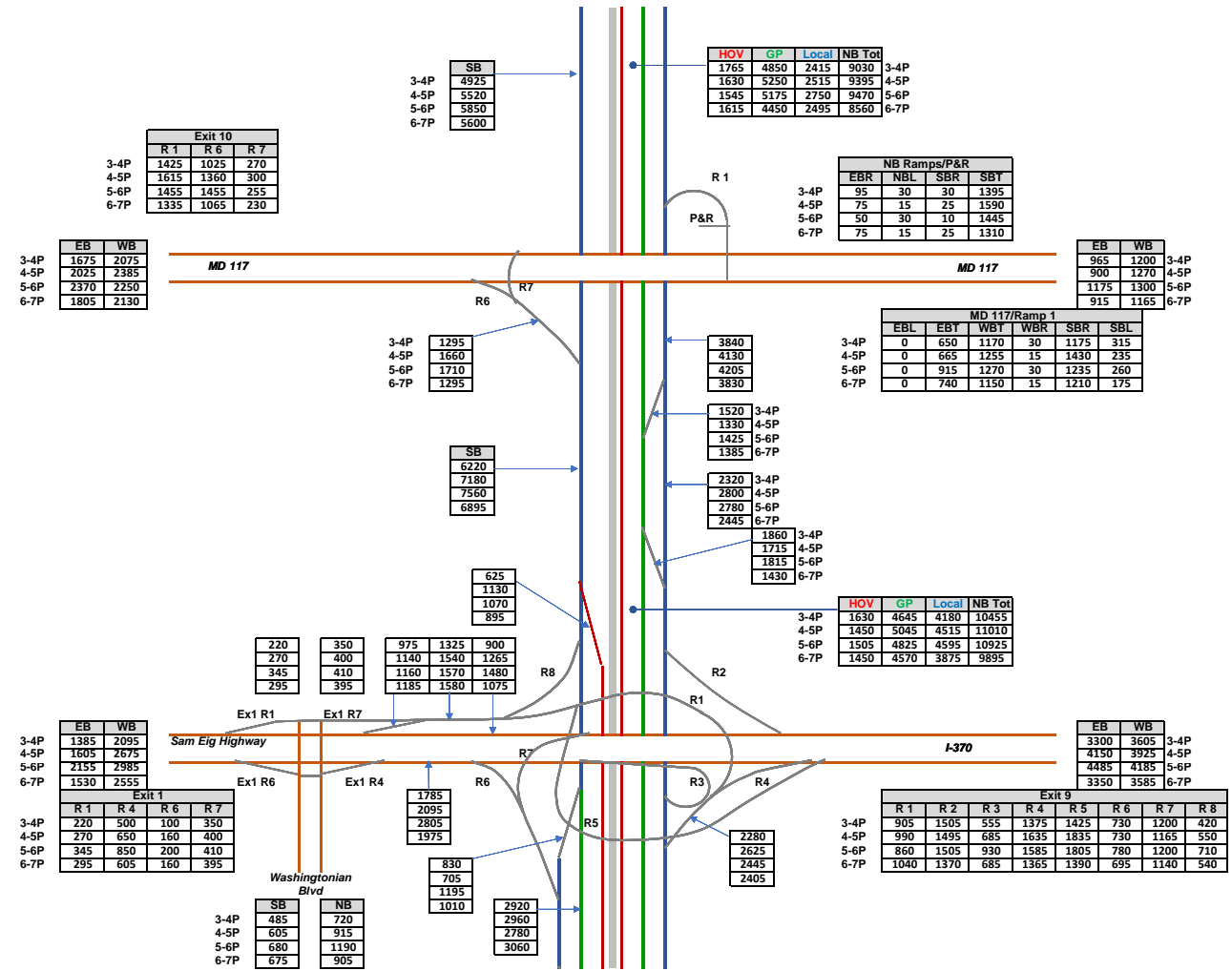
2027 No-Build Hourly AM Volume Diagram



2027 No-Build Hourly AM Volume Diagram



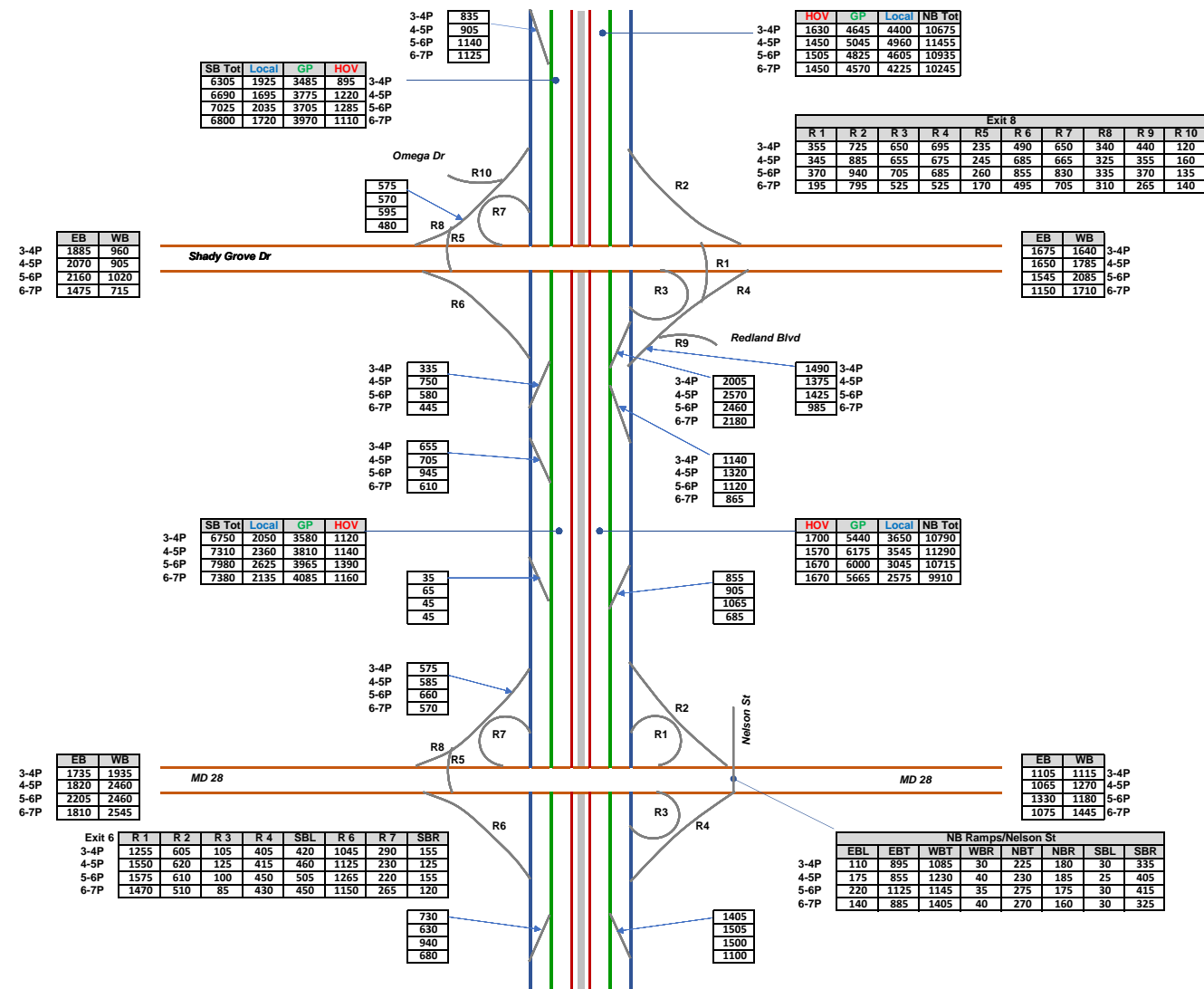
2027 No-Build Hourly PM Volume Diagram



2027 No-Build Hourly PM Volume Diagram



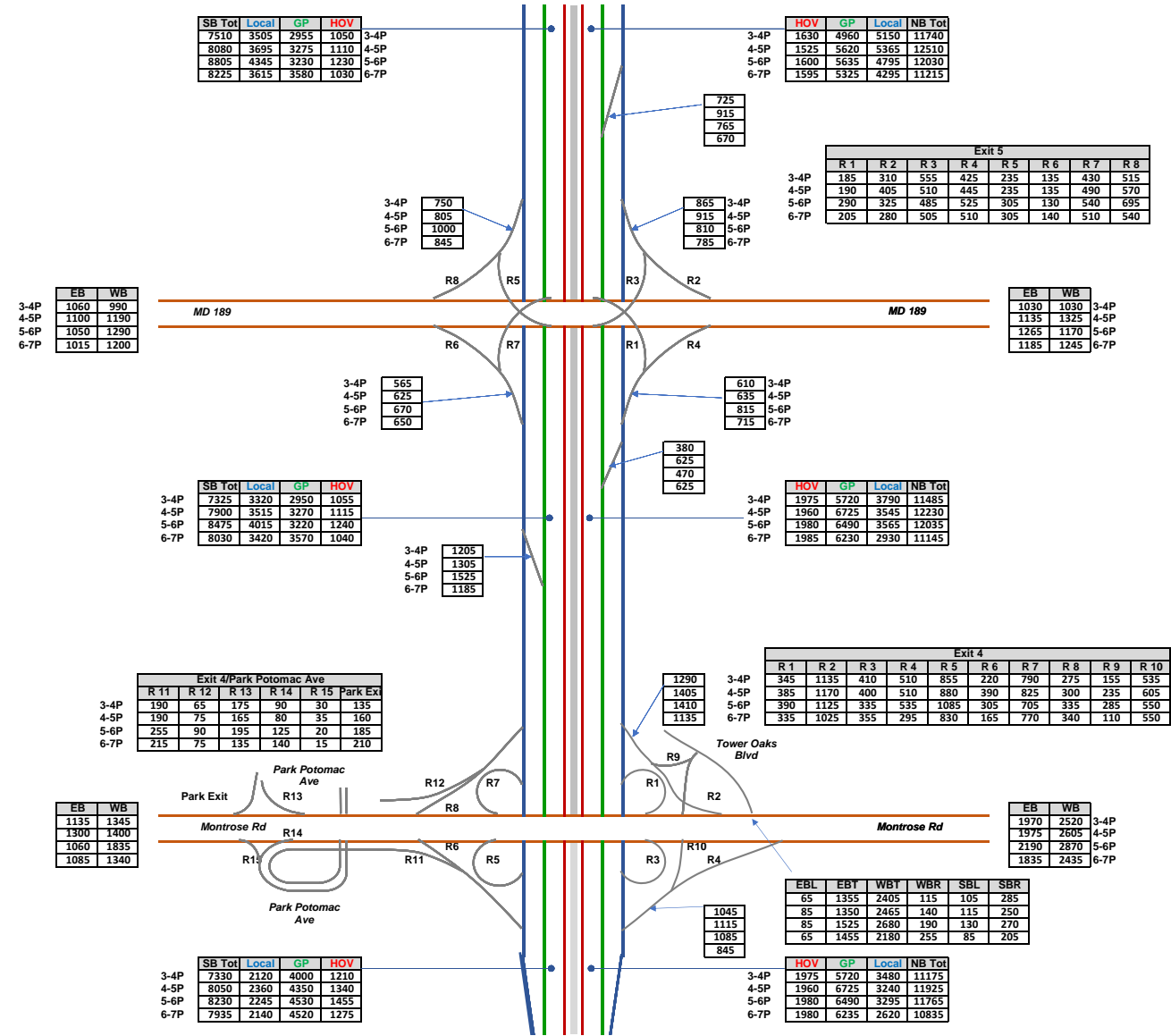
2027 No-Build Hourly PM Volume Diagram



2027 No-Build Hourly PM Volume Diagram



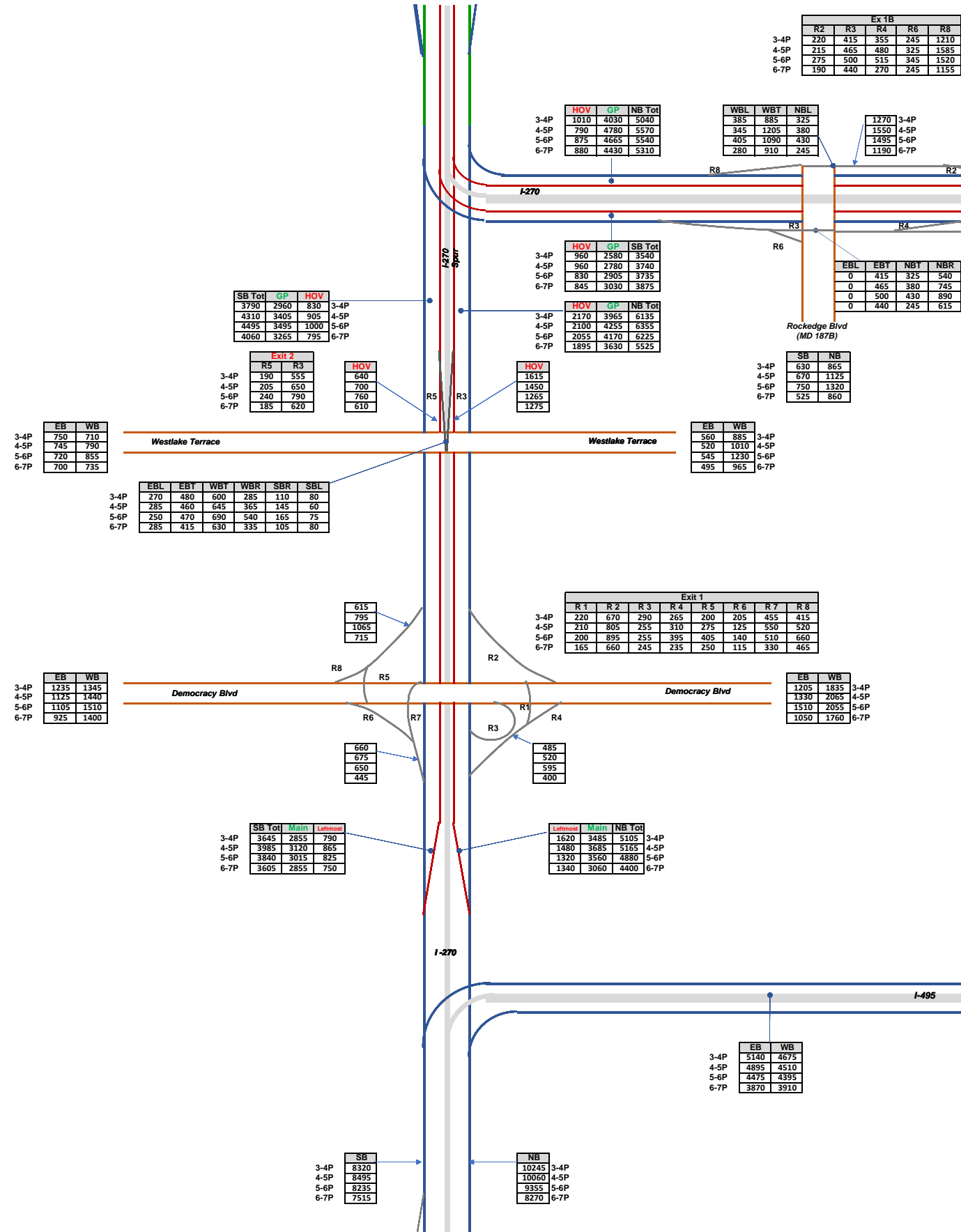
2027 No-Build Hourly PM Volume Diagram



2027 No-Build Hourly PM Volume Diagram



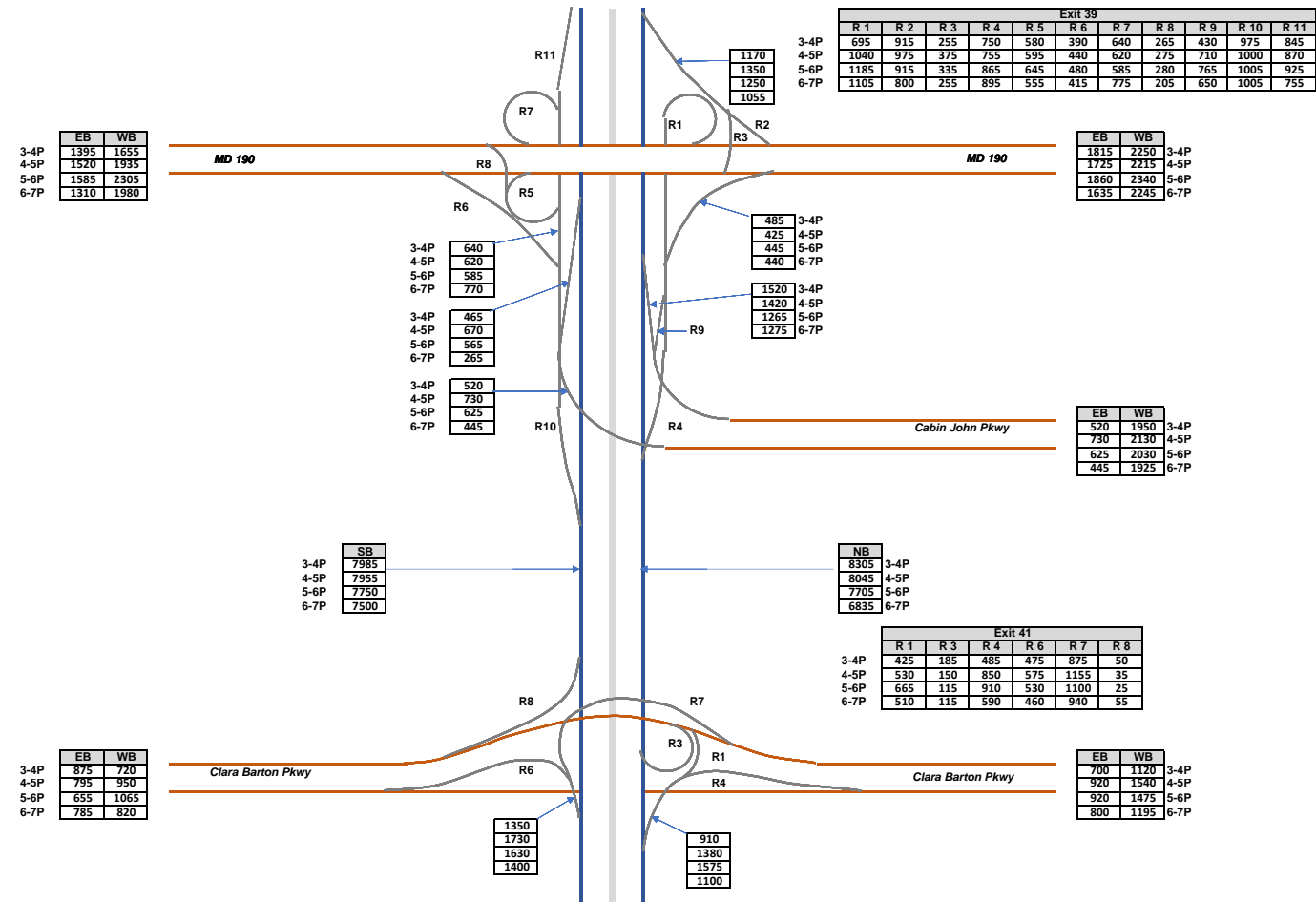
2027 No-Build Hourly PM Volume Diagram



2027 No-Build Hourly PM Volume Diagram



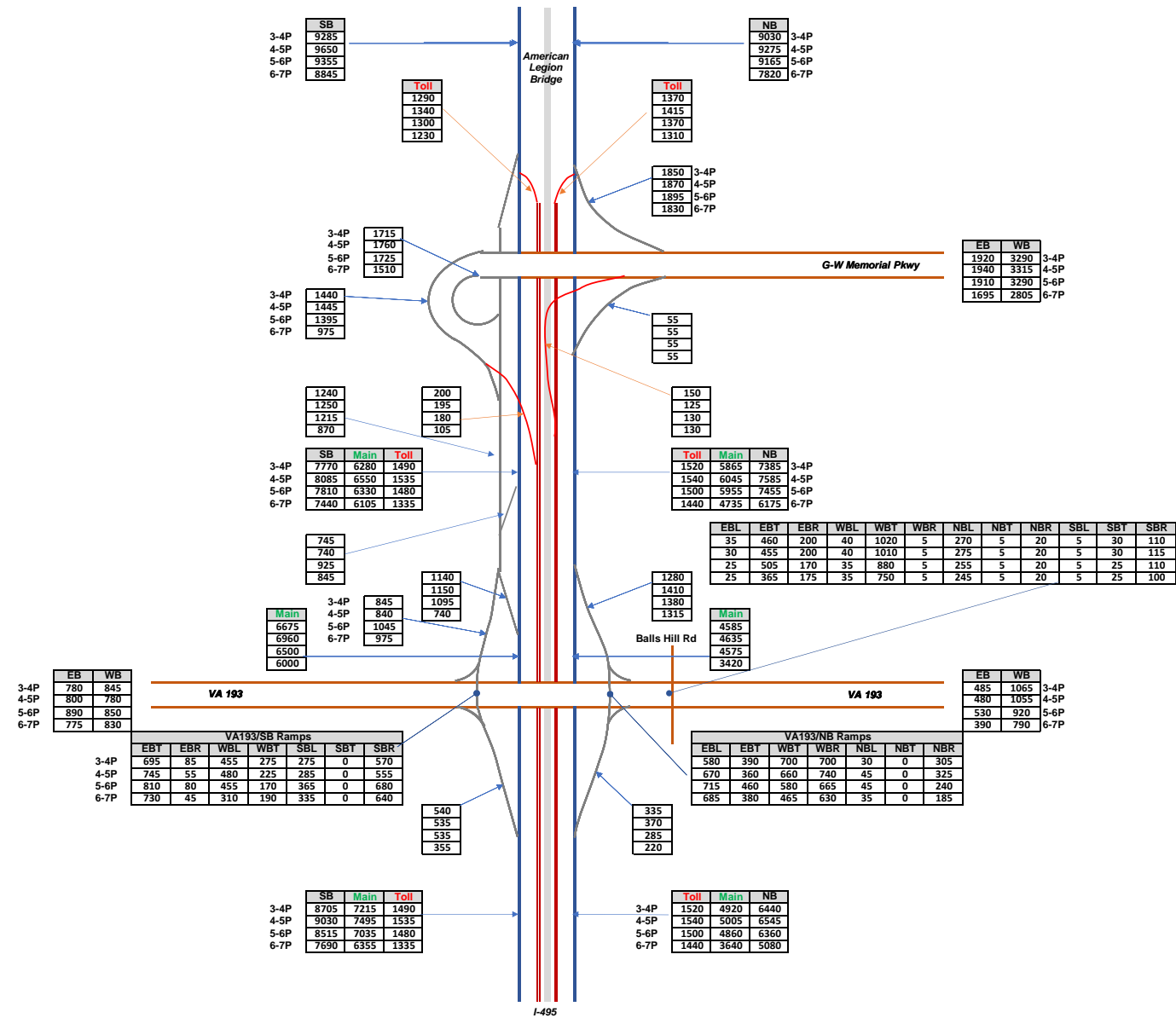
2027 No-Build Hourly PM Volume Diagram



2027 No-Build Hourly PM Volume Diagram



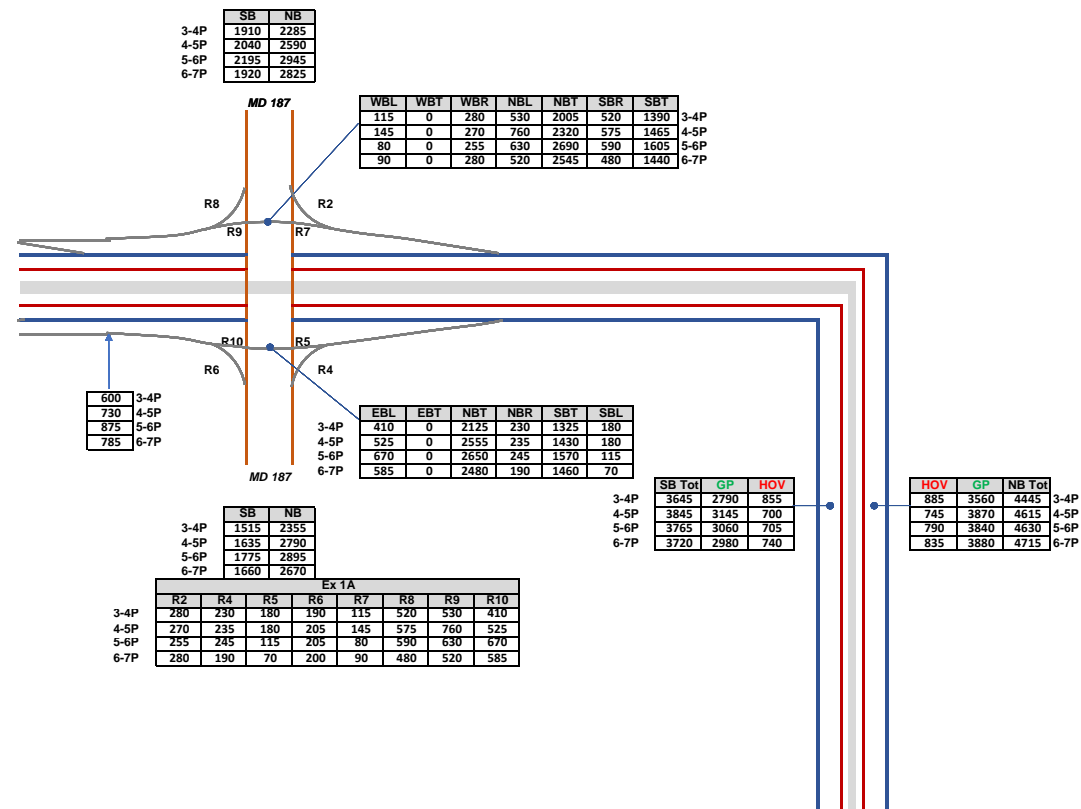
2027 No-Build Hourly PM Volume Diagram



2027 No-Build Hourly PM Volume Diagram



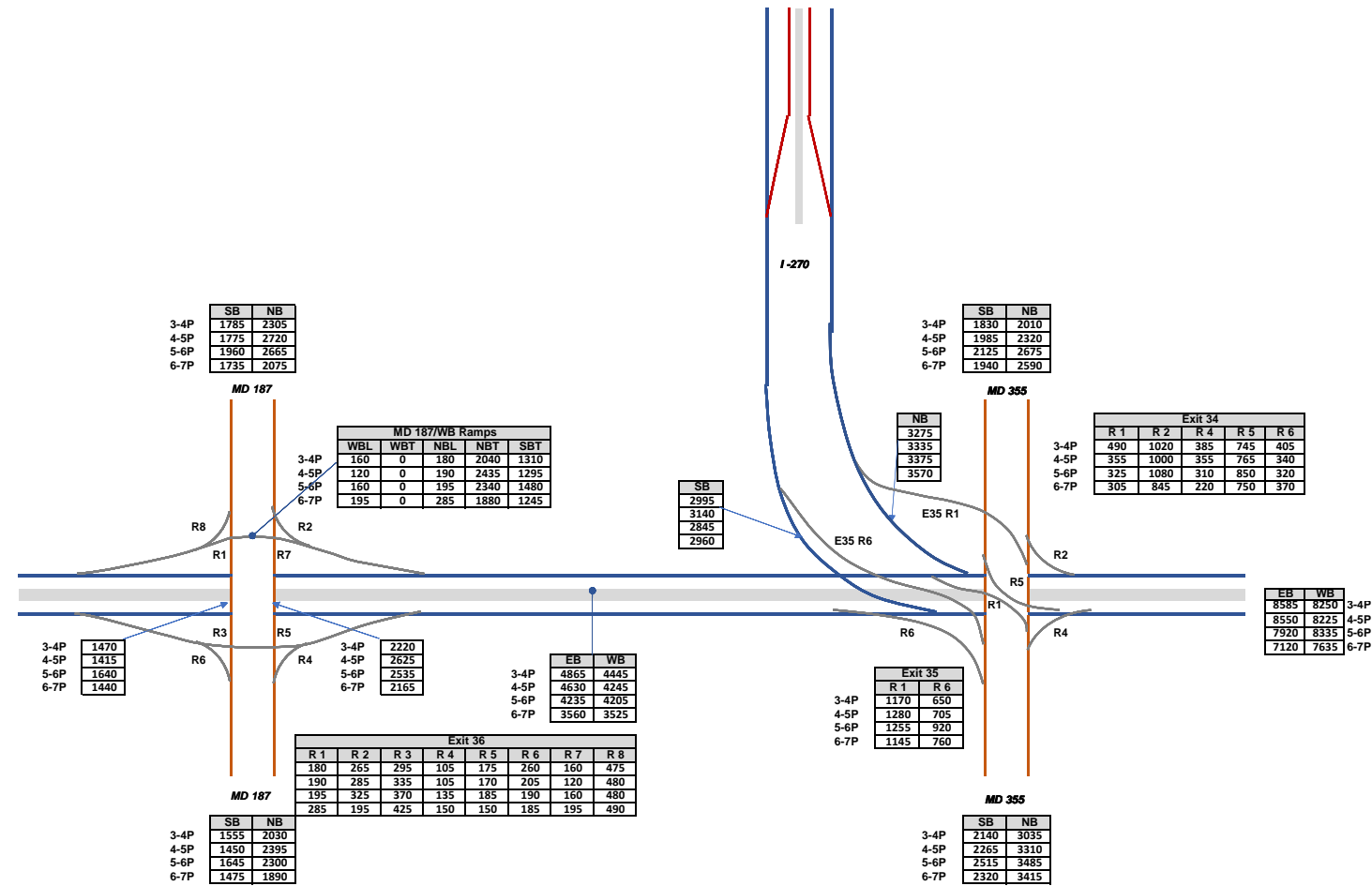
2027 No-Build Hourly PM Volume Diagram



2027 No-Build Hourly PM Volume Diagram



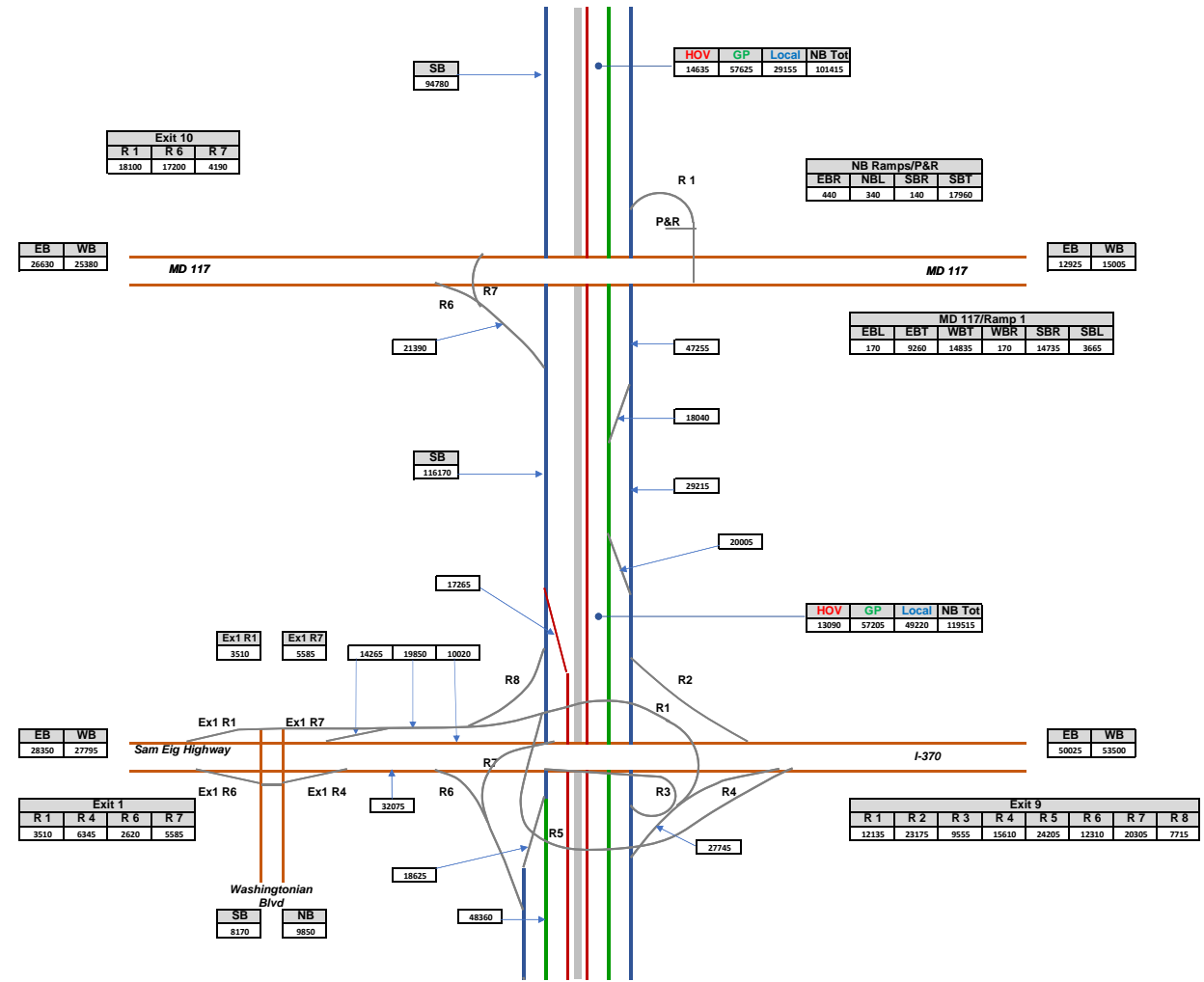
2027 No-Build Hourly PM Volume Diagram



2027 No-Build Hourly PM Volume Diagram



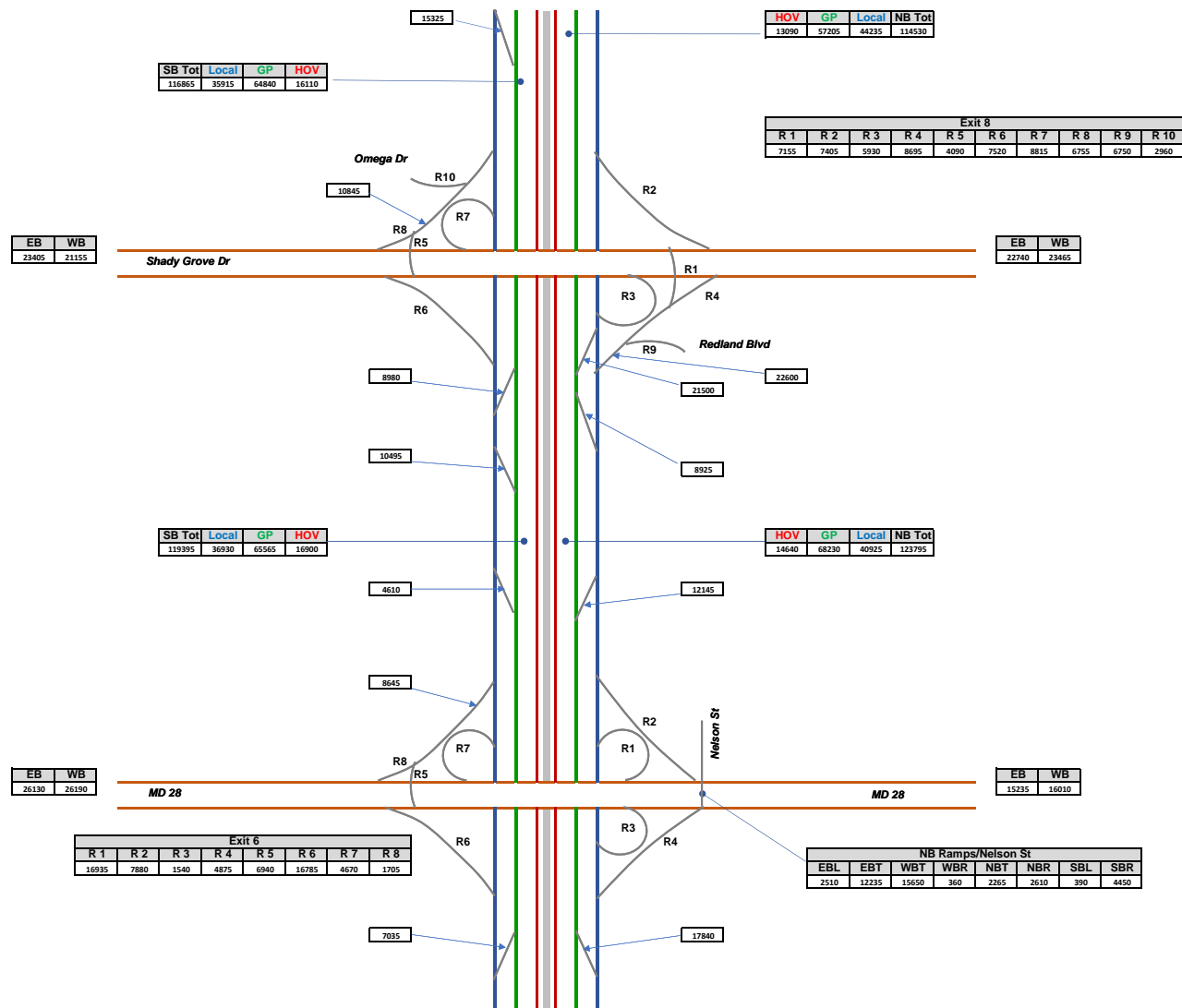
2027 No-Build ADT Volume Diagram



2027 No-Build ADT Volume Diagram



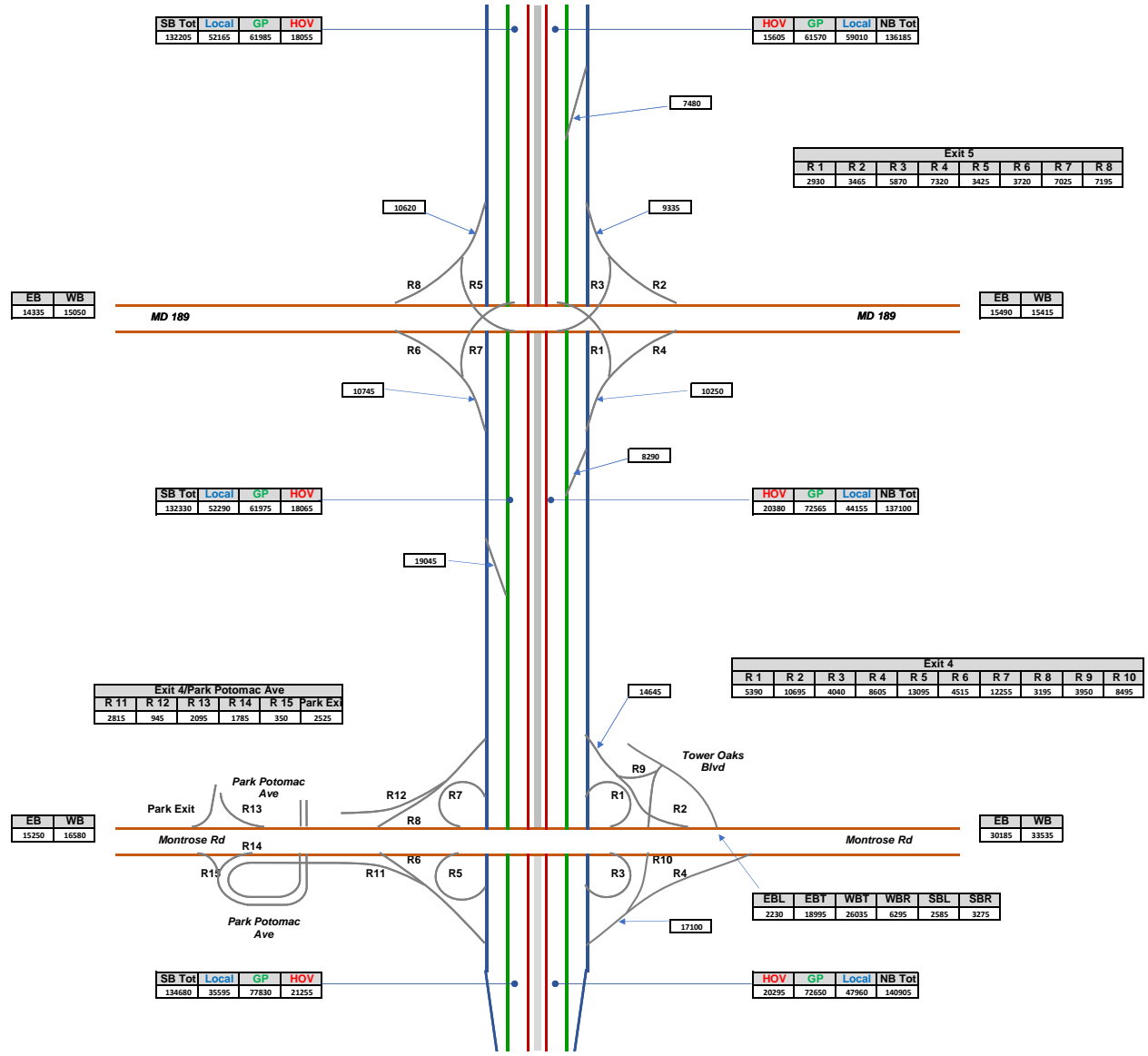
2027 No-Build ADT Volume Diagram



2027 No-Build ADT Volume Diagram



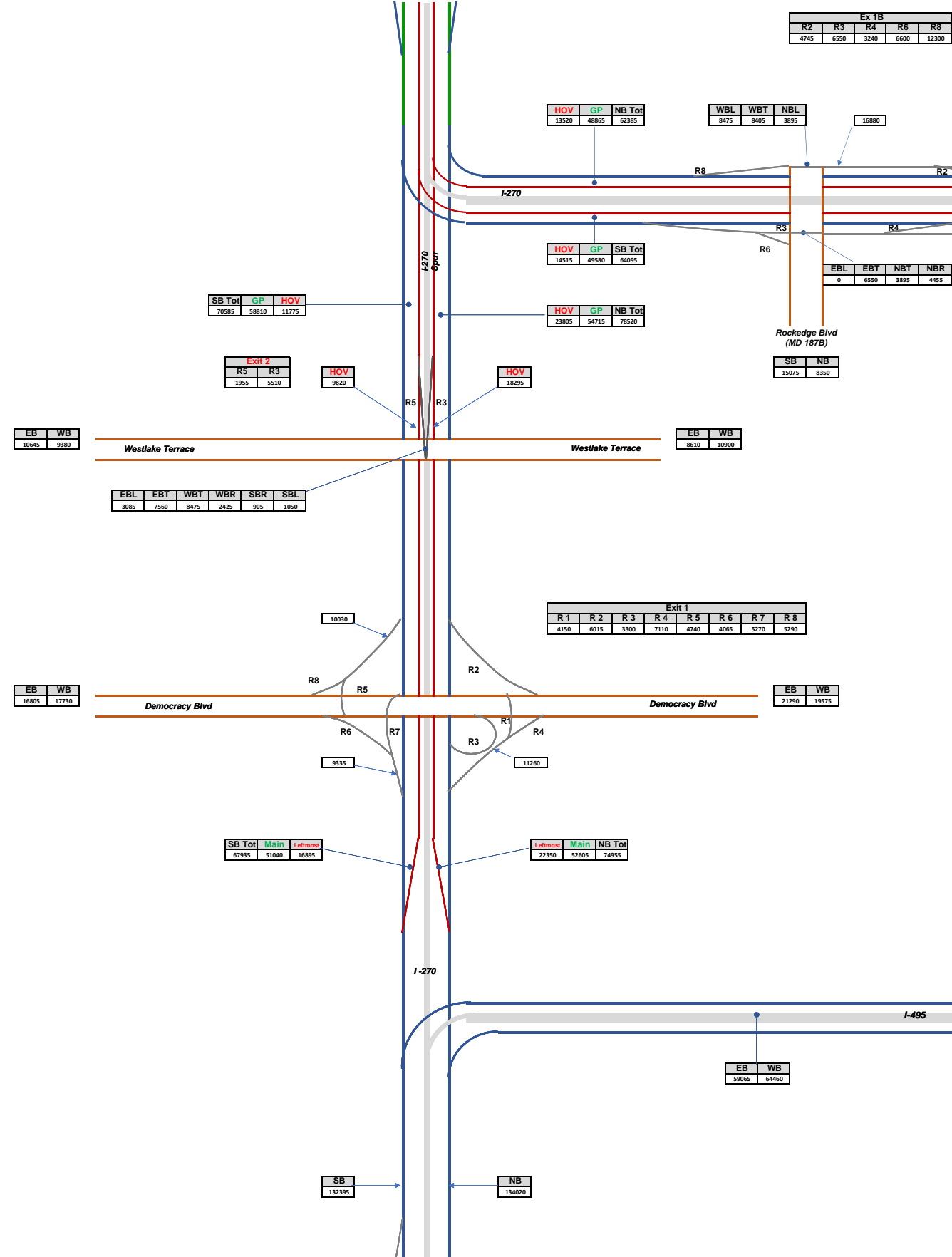
2027 No-Build ADT Volume Diagram



2027 No-Build ADT Volume Diagram



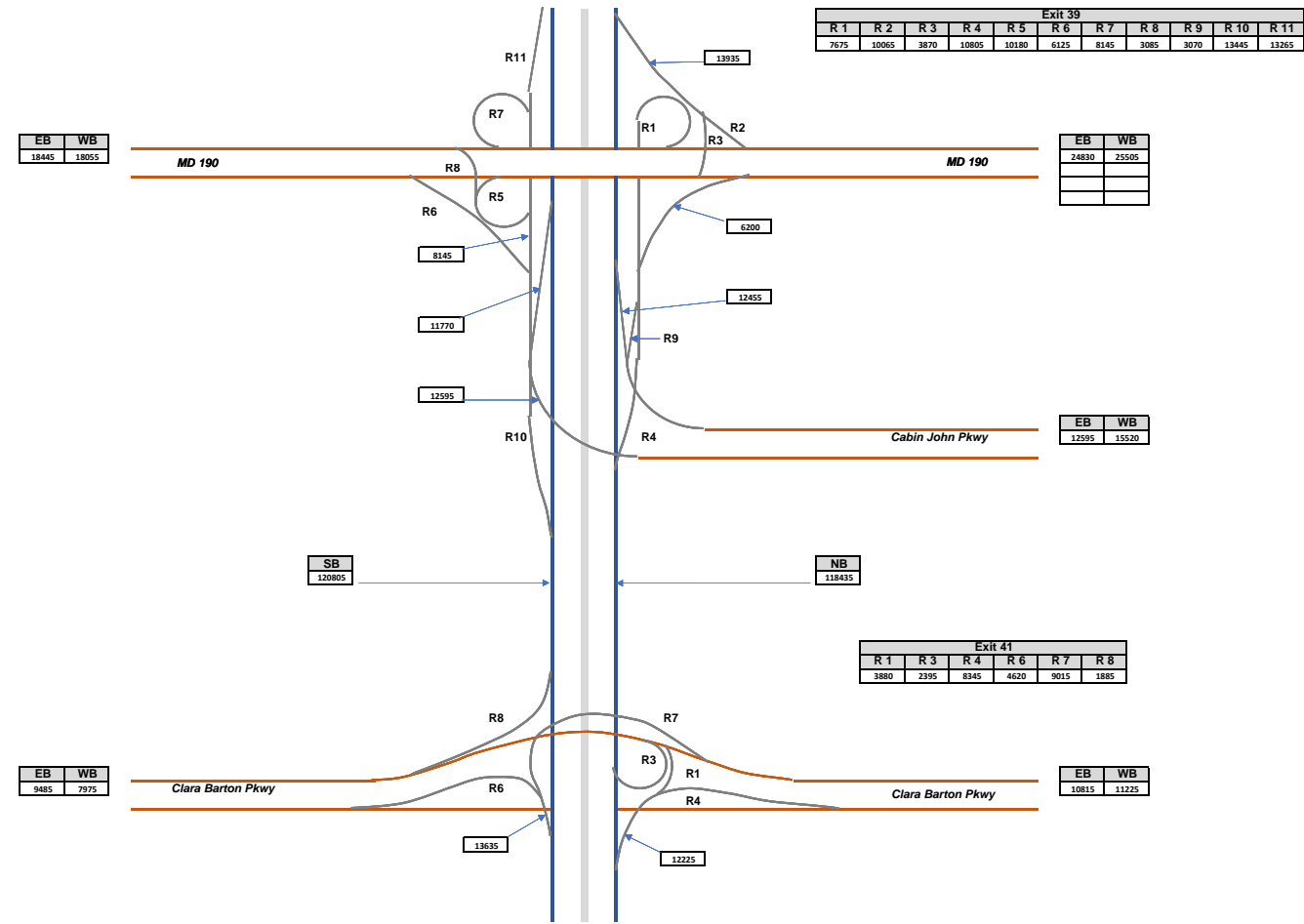
2027 No-Build ADT Volume Diagram



2027 No-Build ADT Volume Diagram



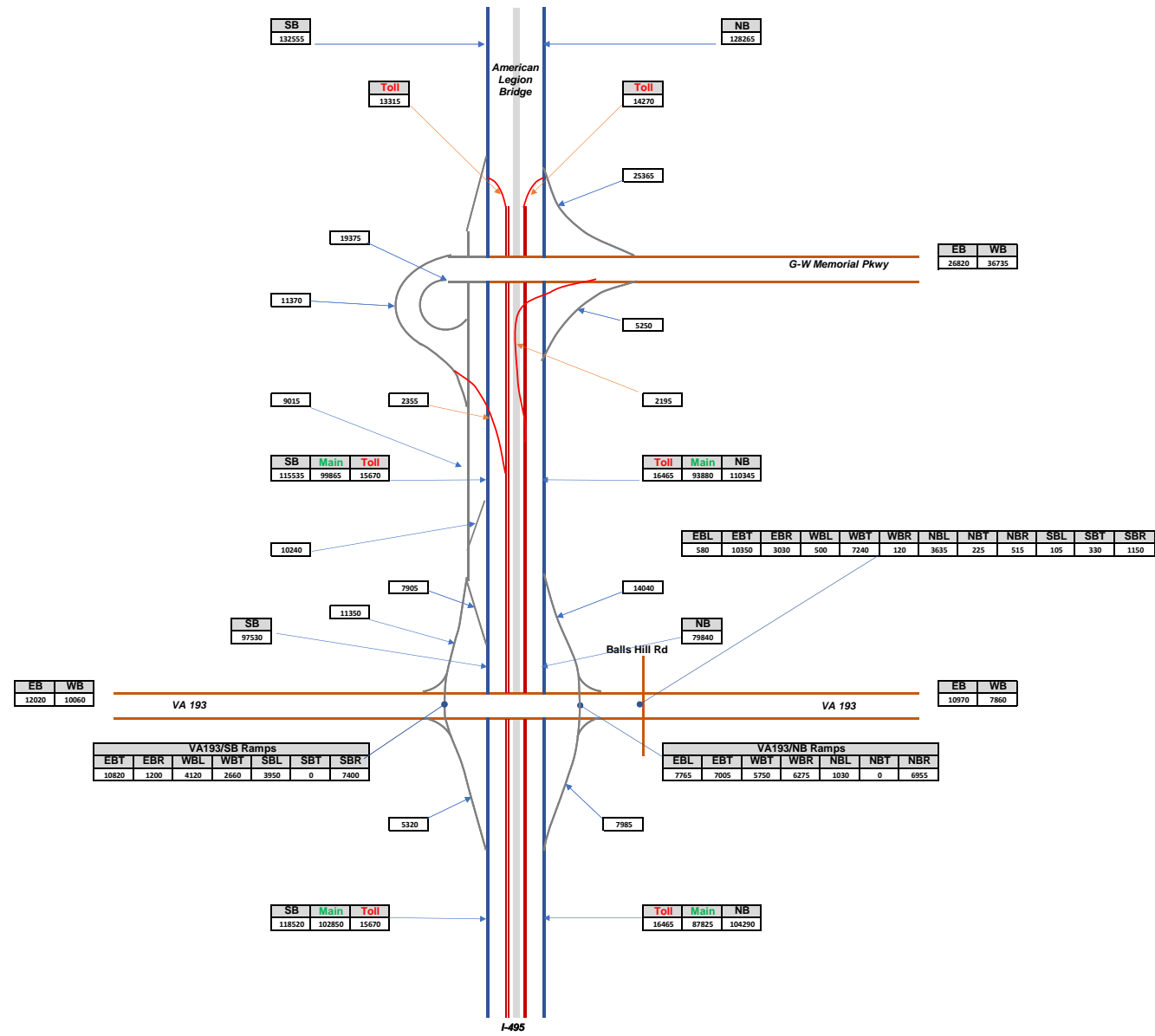
2027 No-Build ADT Volume Diagram



2027 No-Build ADT Volume Diagram



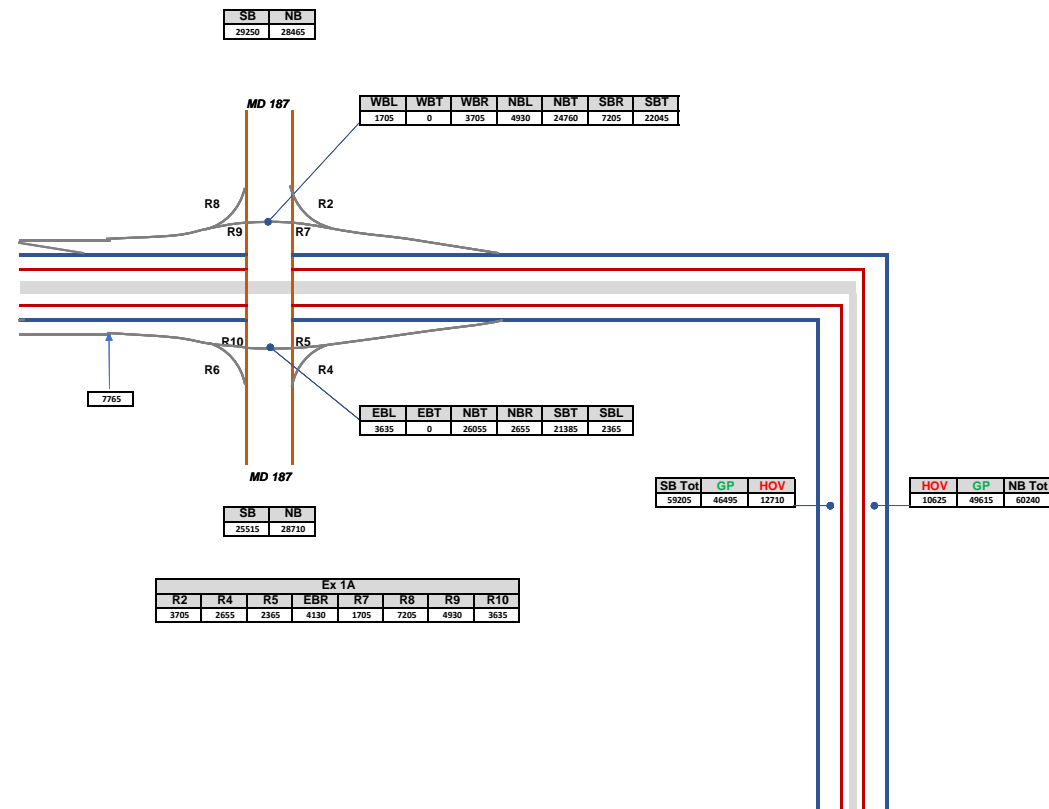
2027 No-Build ADT Volume Diagram



2027 No-Build ADT Volume Diagram



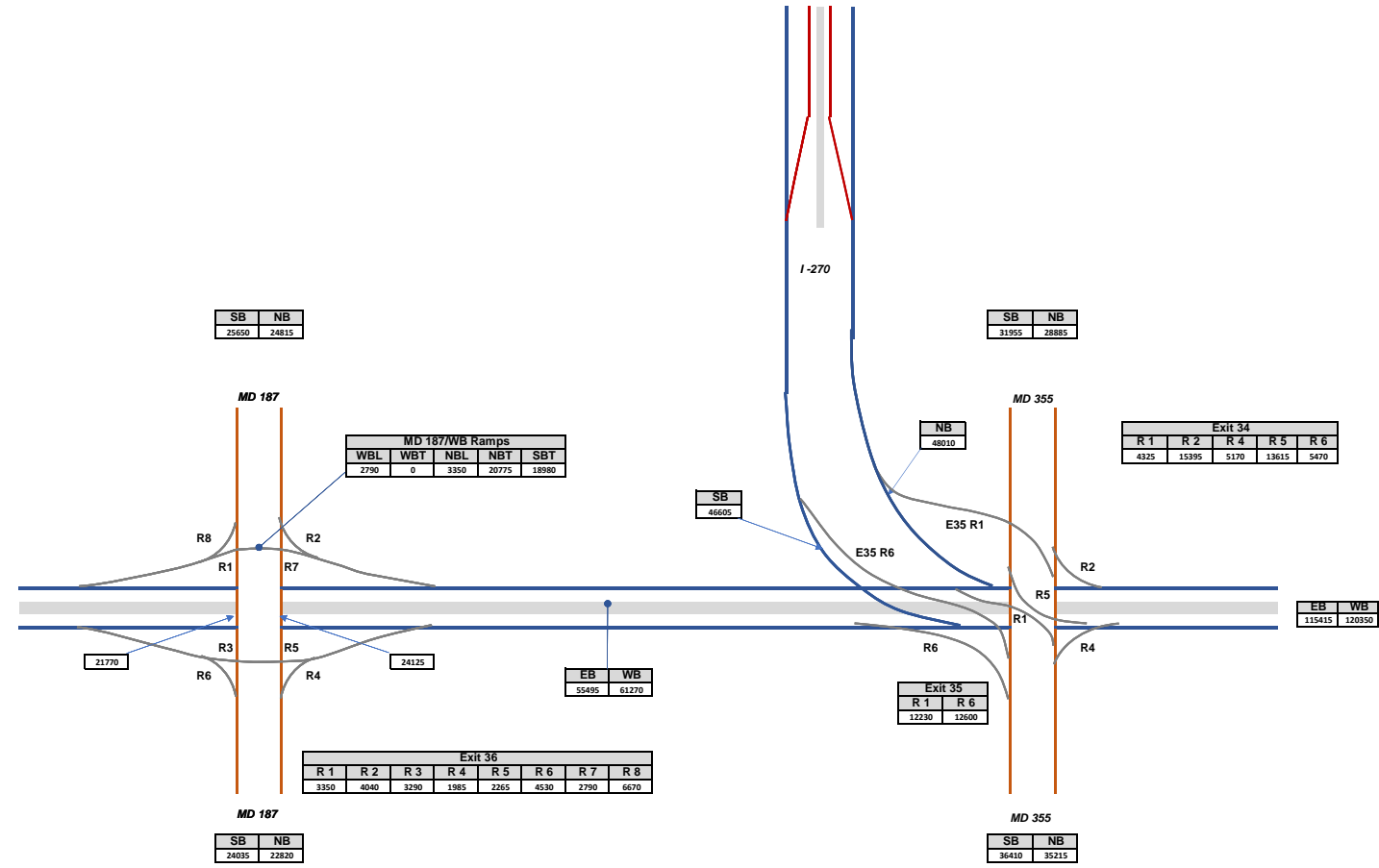
2027 No-Build ADT Volume Diagram



2027 No-Build ADT Volume Diagram



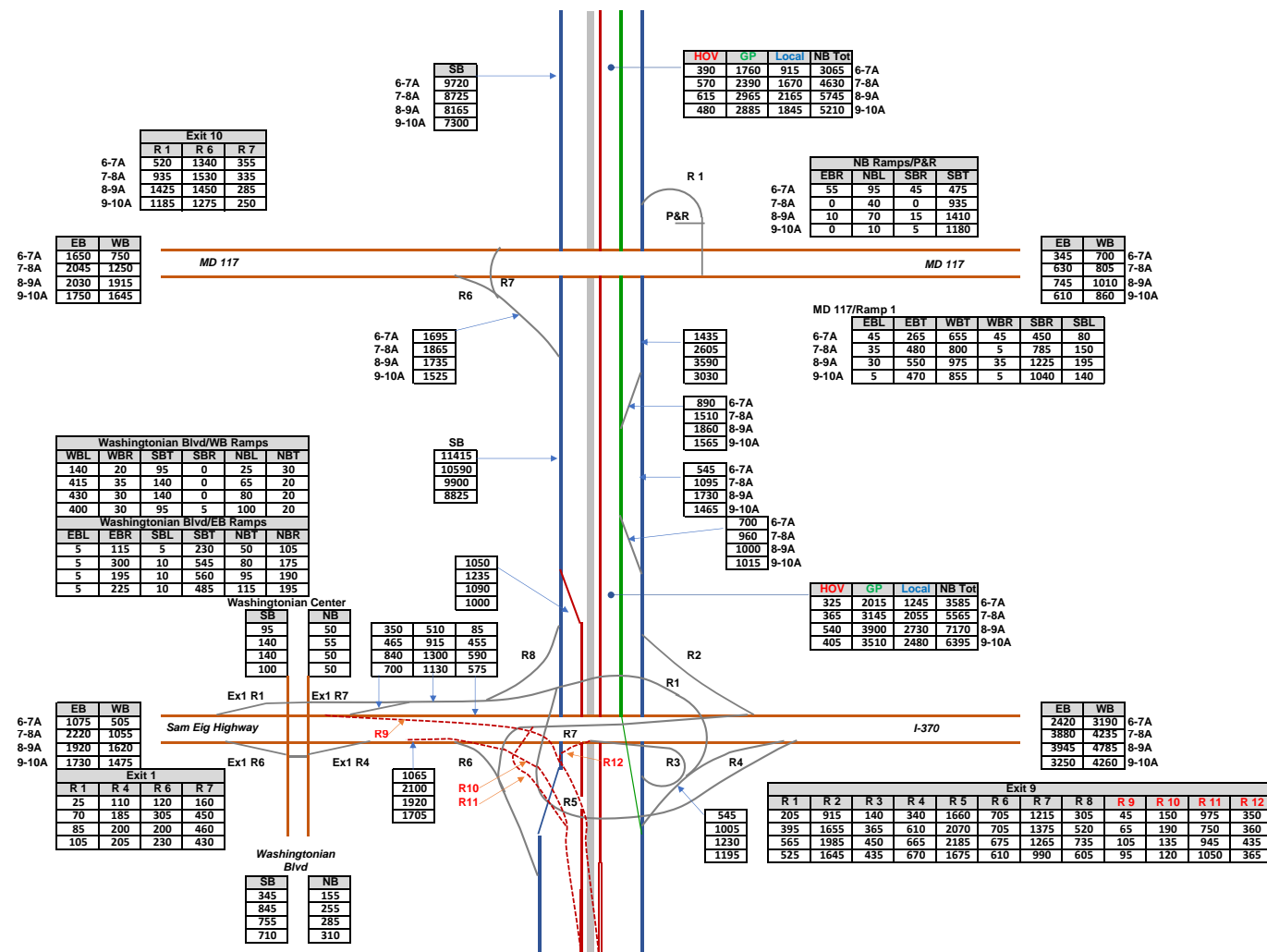
2027 No-Build ADT Volume Diagram



2027 No-Build ADT Volume Diagram



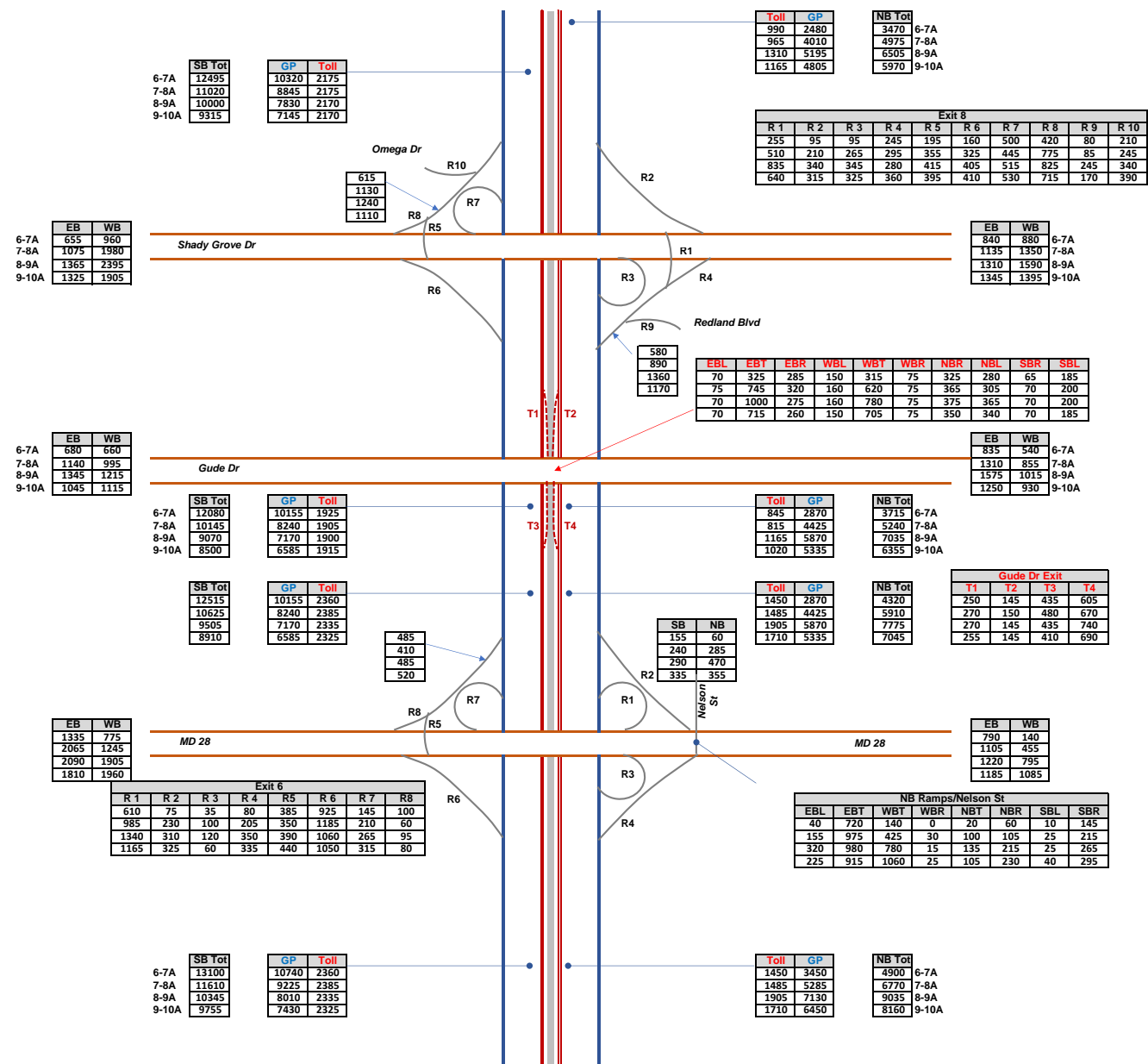
2027 Preferred Alternative Hourly AM Volume Diagram



2027 Preferred Alternative AM Hourly Volume Diagram



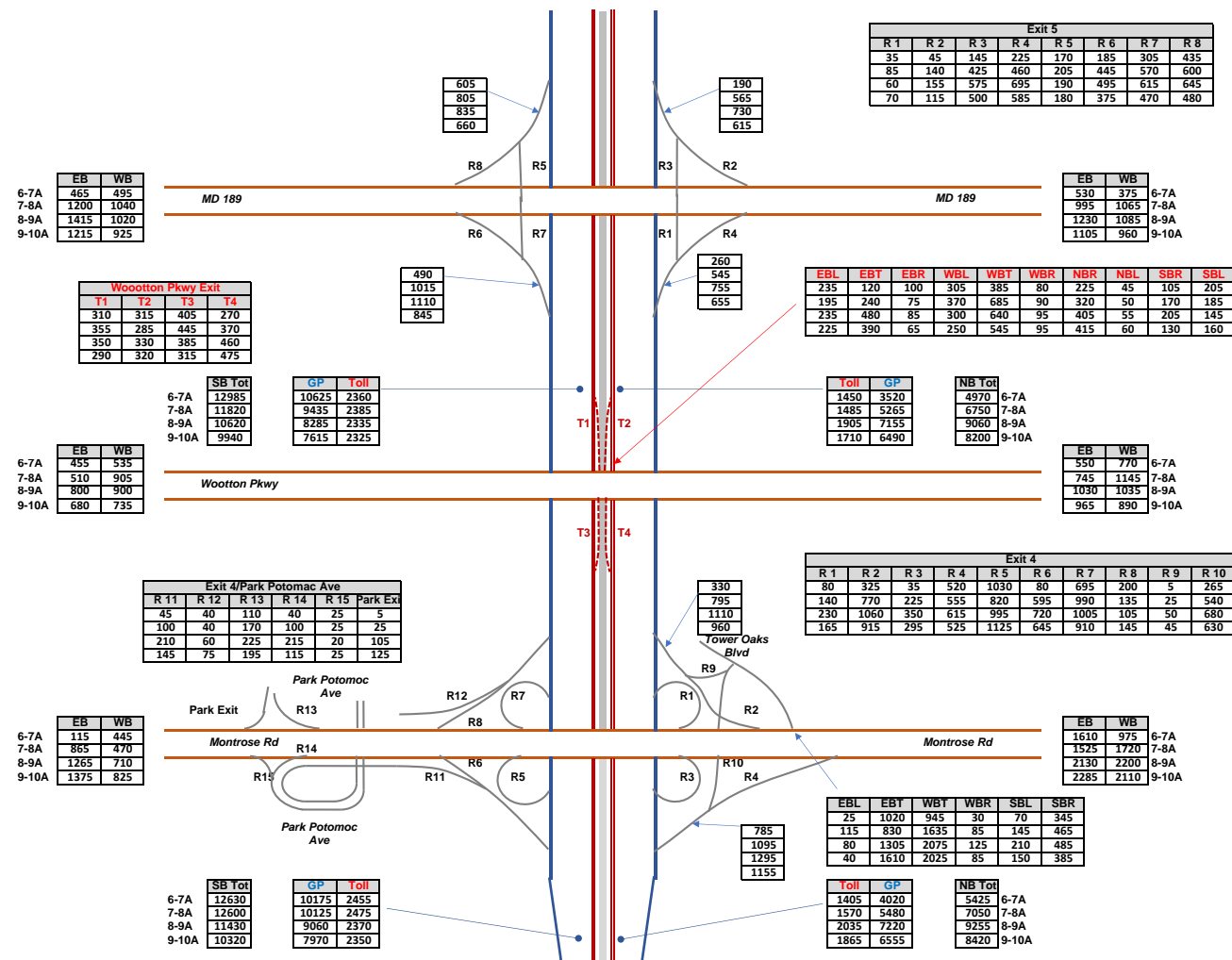
2027 Preferred Alternative Hourly AM Volume Diagram



2027 Preferred Alternative AM Hourly Volume Diagram



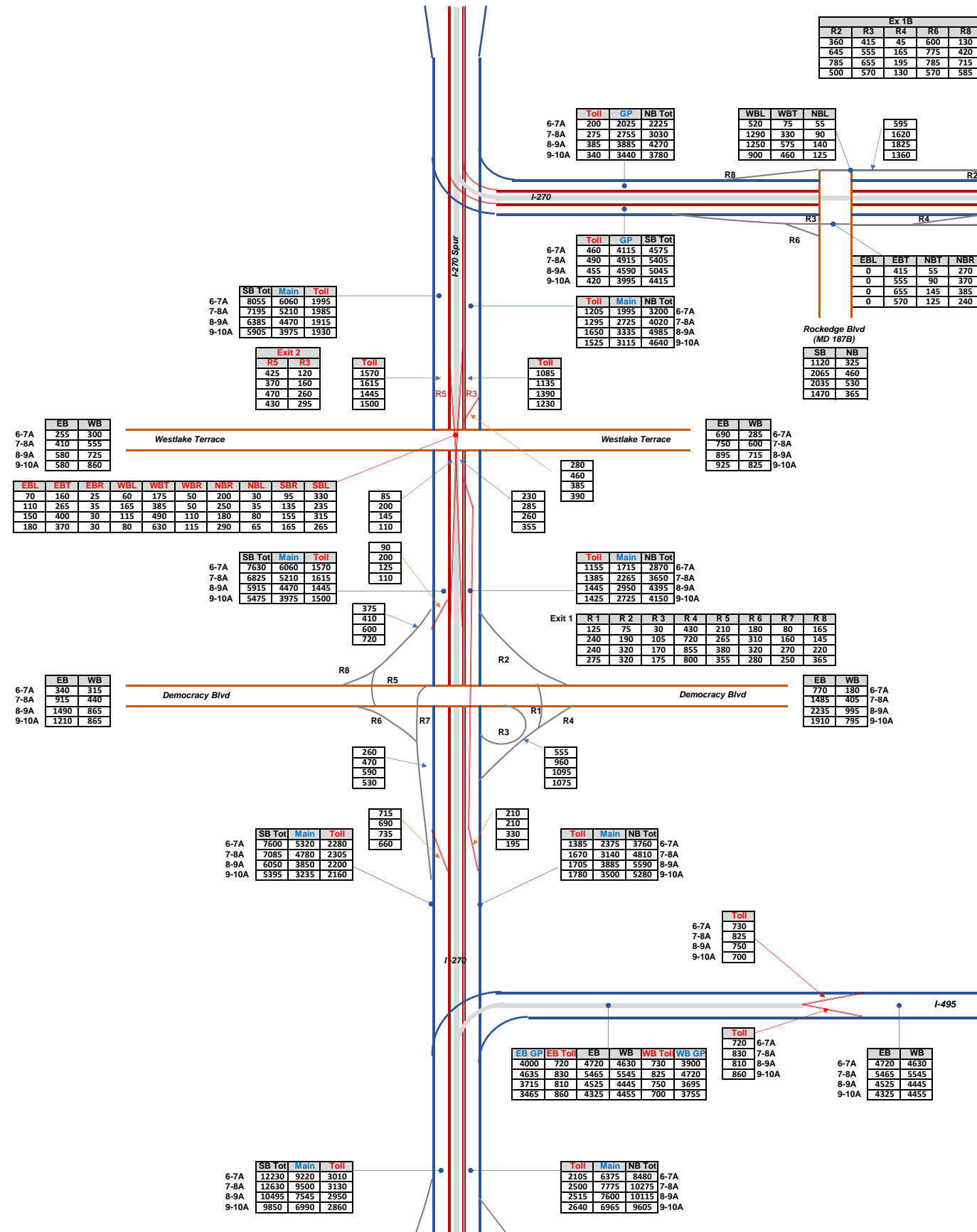
2027 Preferred Alternative Hourly AM Volume Diagram



2027 Preferred Alternative AM Hourly Volume Diagram



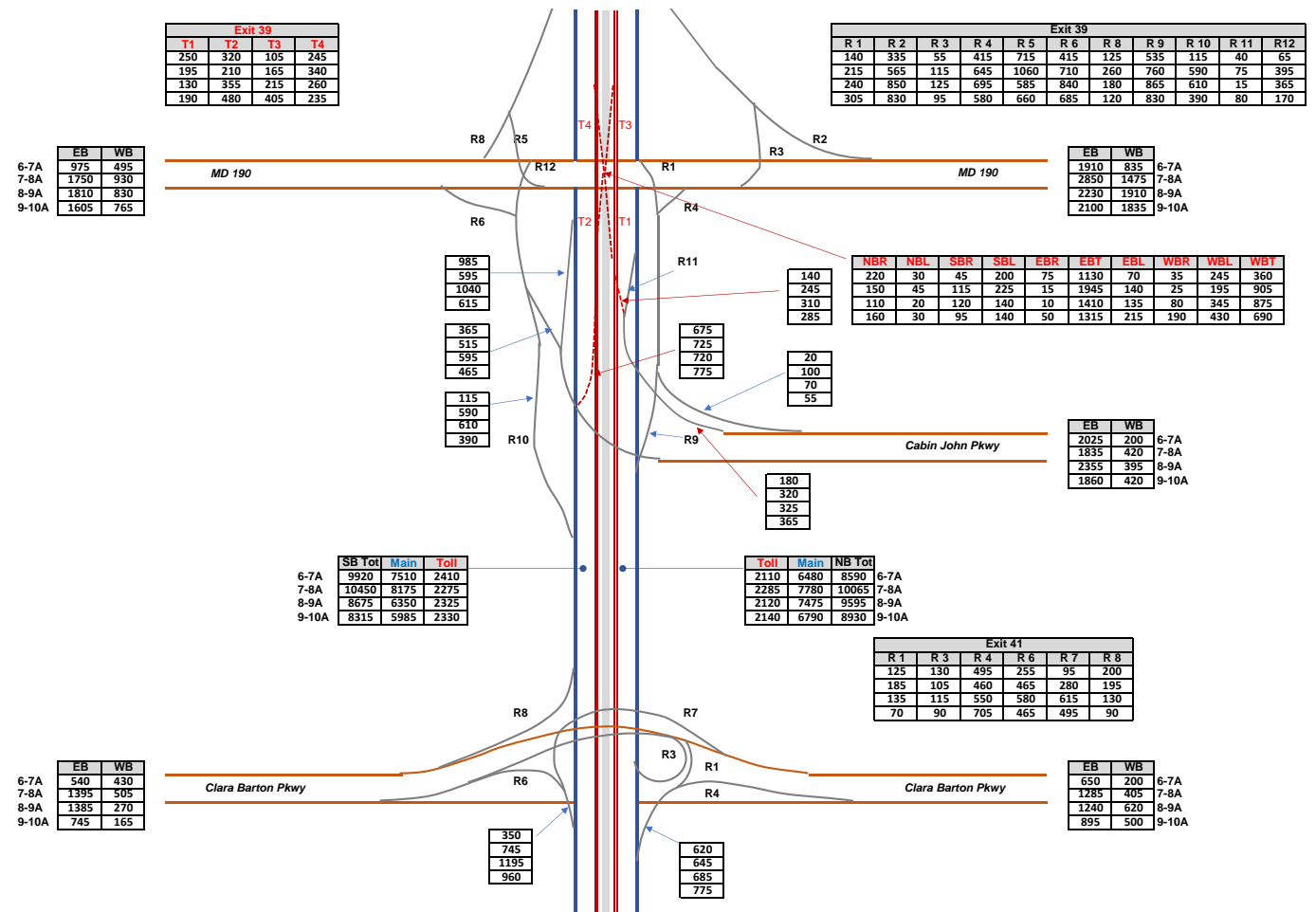
2027 Preferred Alternative Hourly AM Volume Diagram



2027 Preferred Alternative AM Hourly Volume Diagram



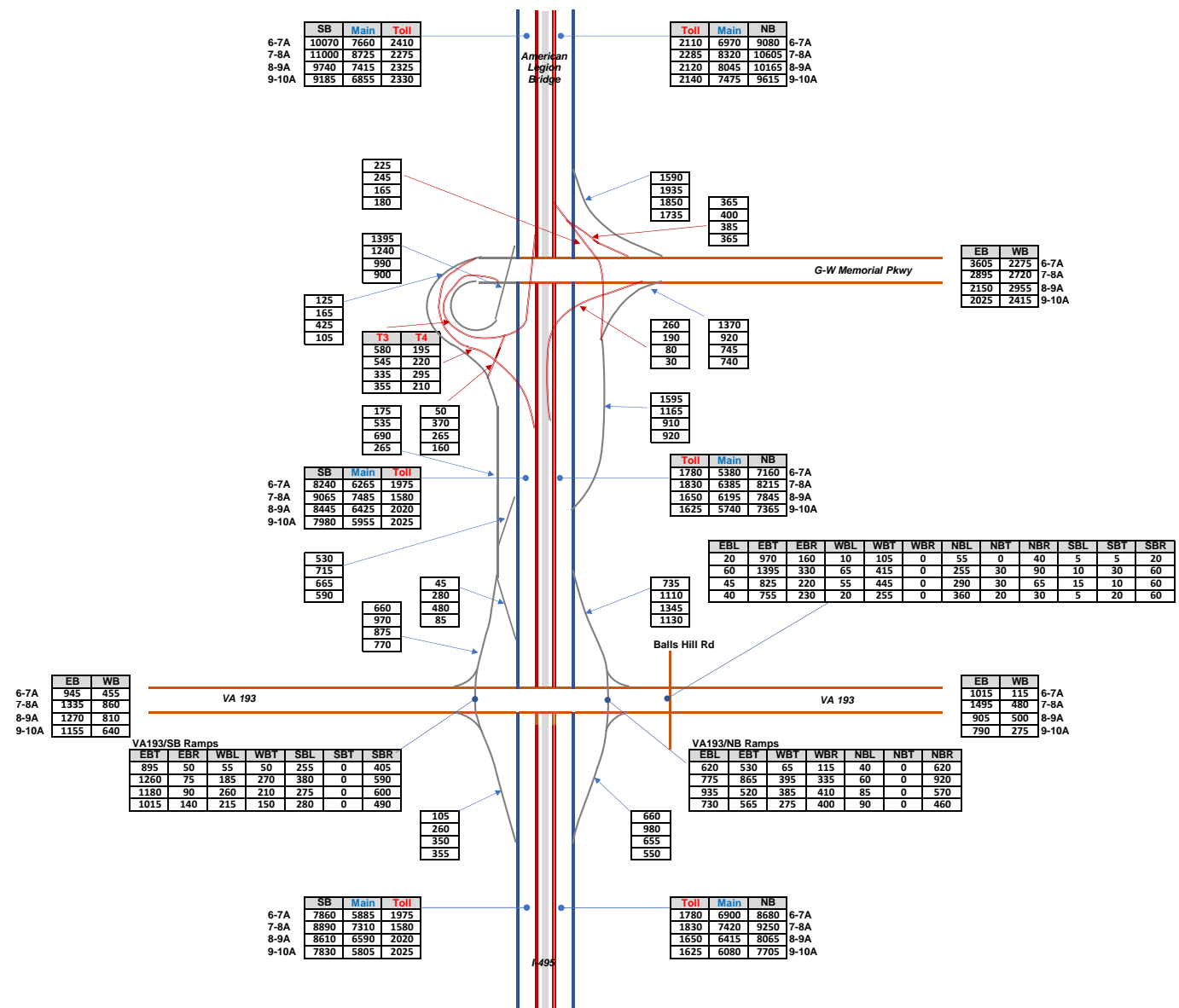
2027 Preferred Alternative Hourly AM Volume Diagram



2027 Preferred Alternative AM Hourly Volume Diagram



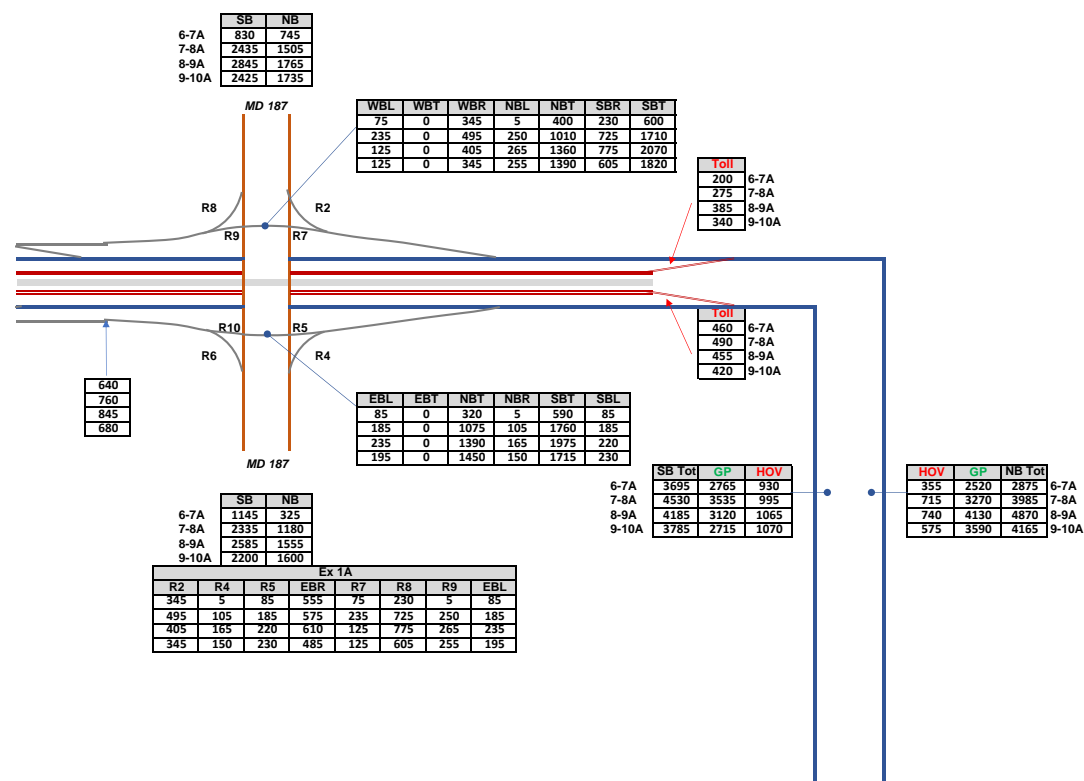
2027 Preferred Alternative Hourly AM Volume Diagram



2027 Preferred Alternative AM Hourly Volume Diagram



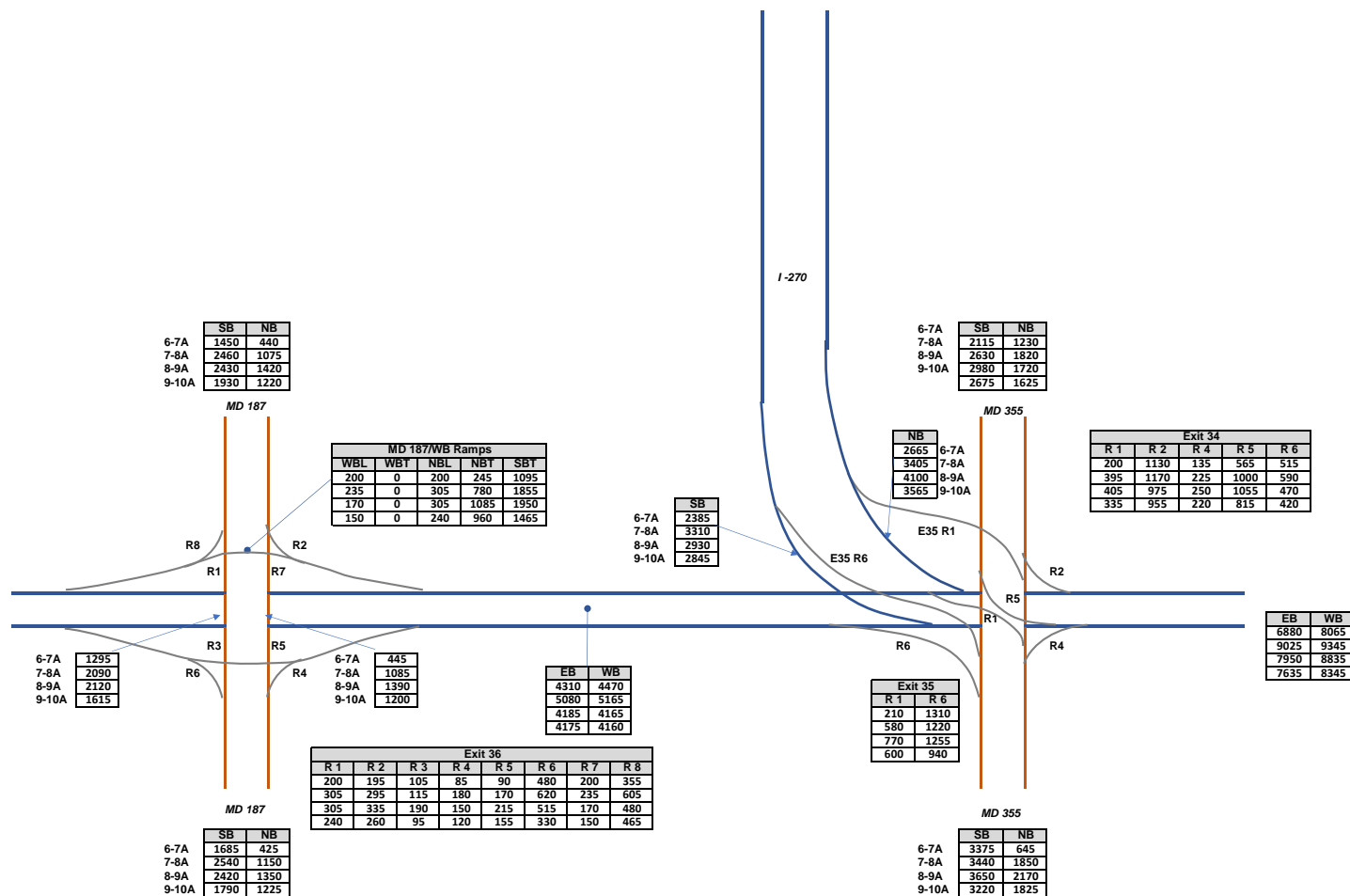
2027 Preferred Alternative Hourly AM Volume Diagram



2027 Preferred Alternative AM Hourly Volume Diagram



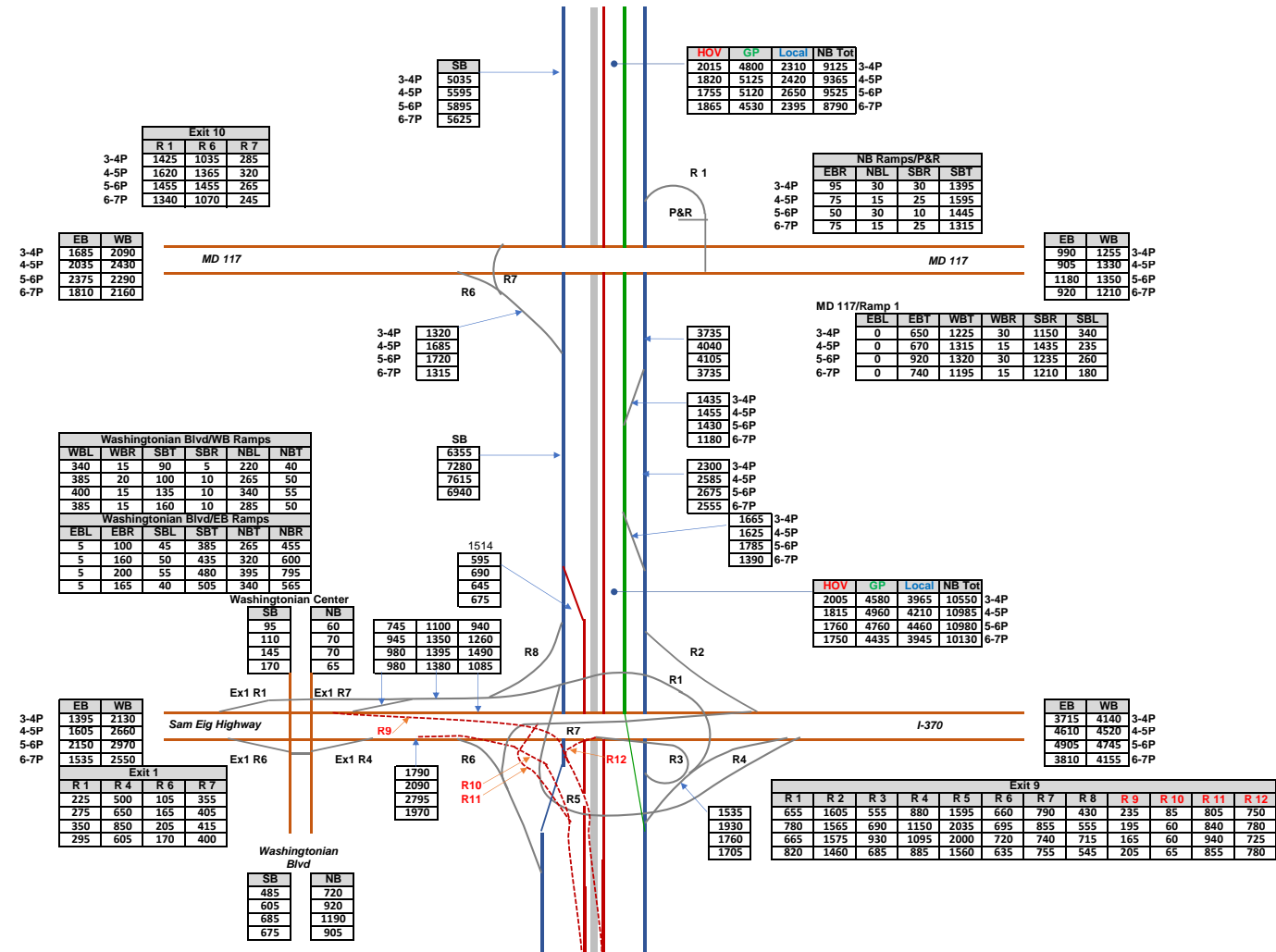
2027 Preferred Alternative Hourly AM Volume Diagram



2027 Preferred Alternative AM Hourly Volume Diagram



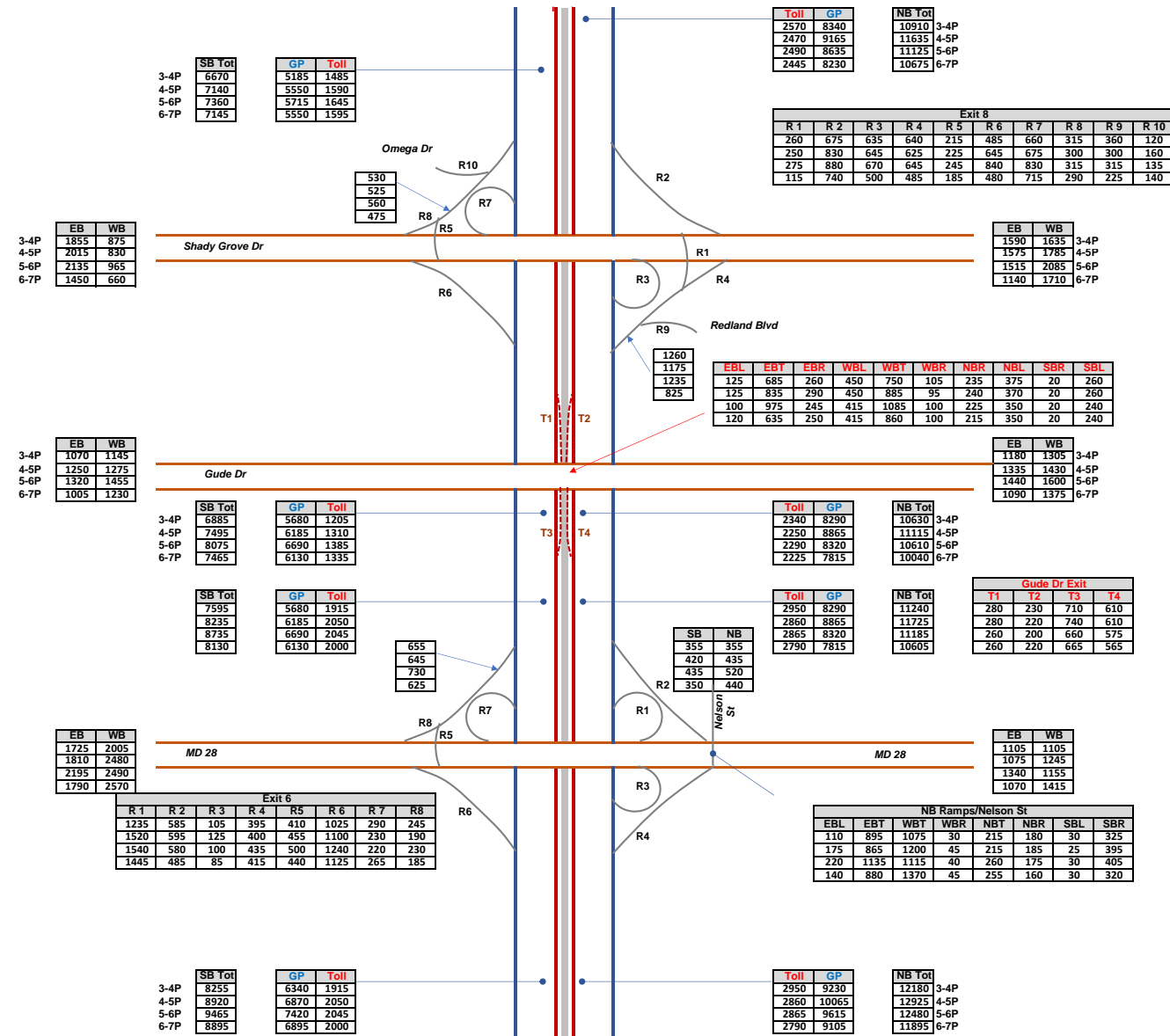
2027 Preferred Alternative Hourly PM Volume Diagram



2027 Preferred Alternative PM Hourly Volume Diagram



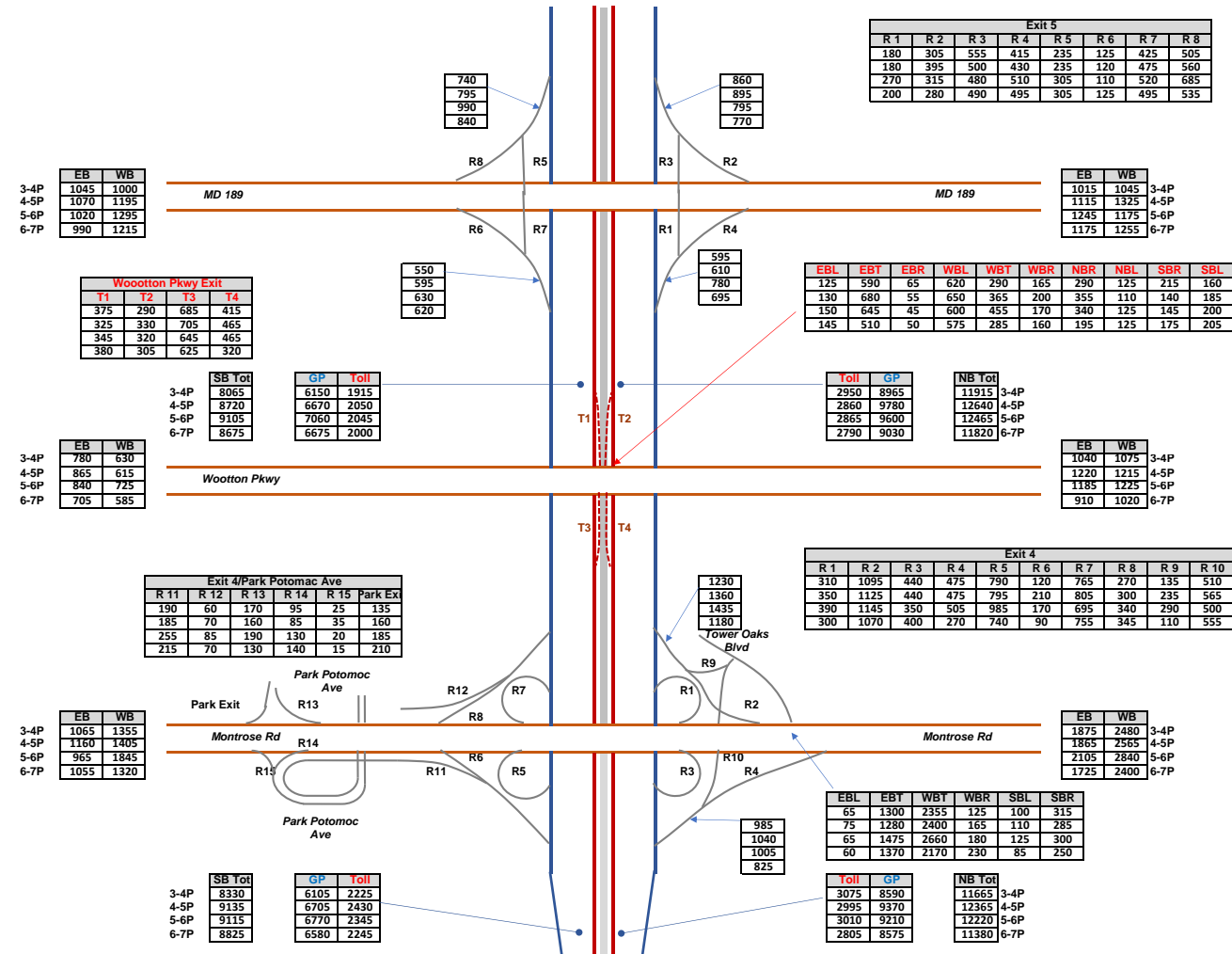
2027 Preferred Alternative Hourly PM Volume Diagram



2027 Preferred Alternative PM Hourly Volume Diagram



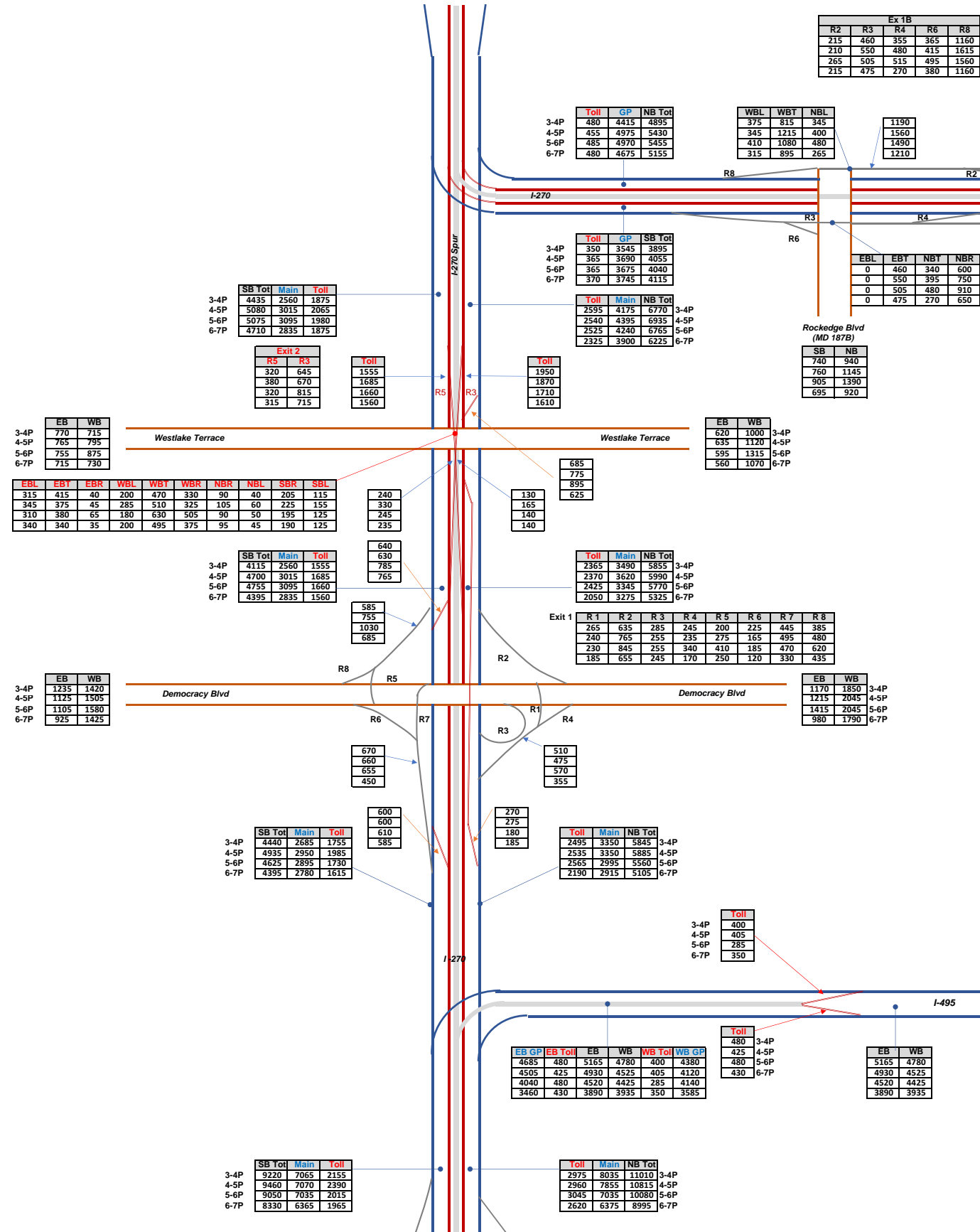
2027 Preferred Alternative Hourly PM Volume Diagram



2027 Preferred Alternative PM Hourly Volume Diagram



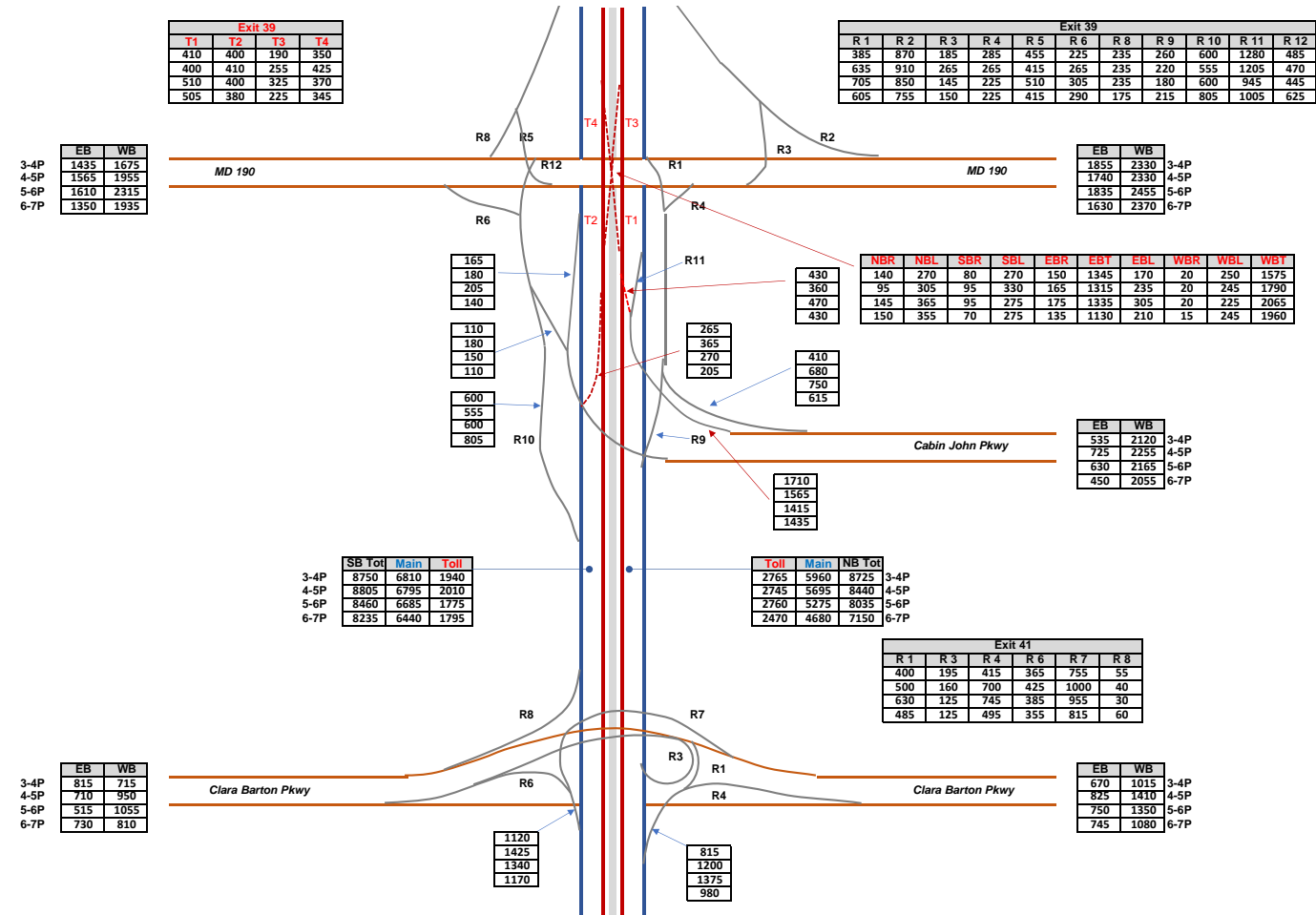
2027 Preferred Alternative Hourly PM Volume Diagram



2027 Preferred Alternative PM Hourly Volume Diagram



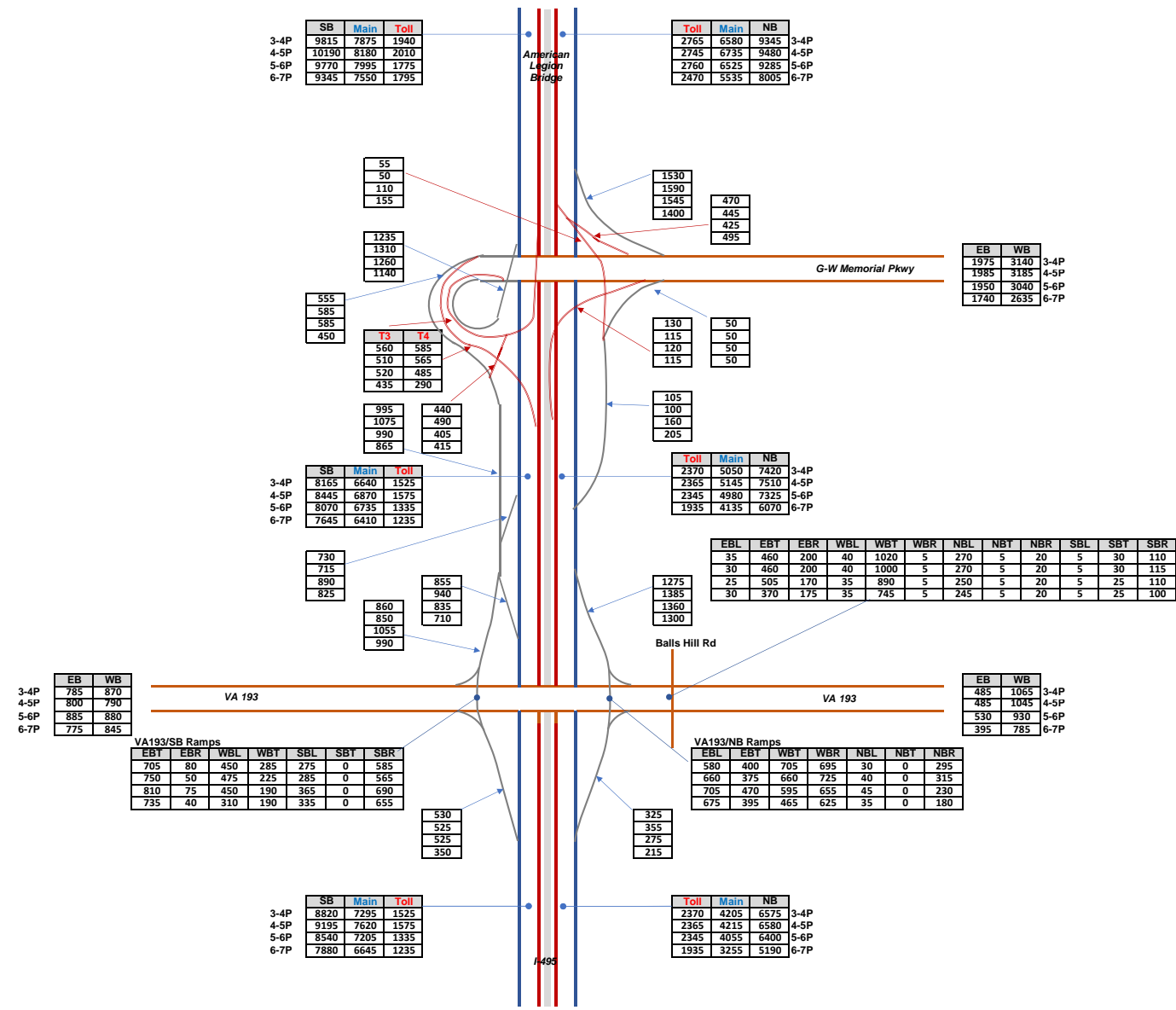
2027 Preferred Alternative Hourly PM Volume Diagram



2027 Preferred Alternative PM Hourly Volume Diagram



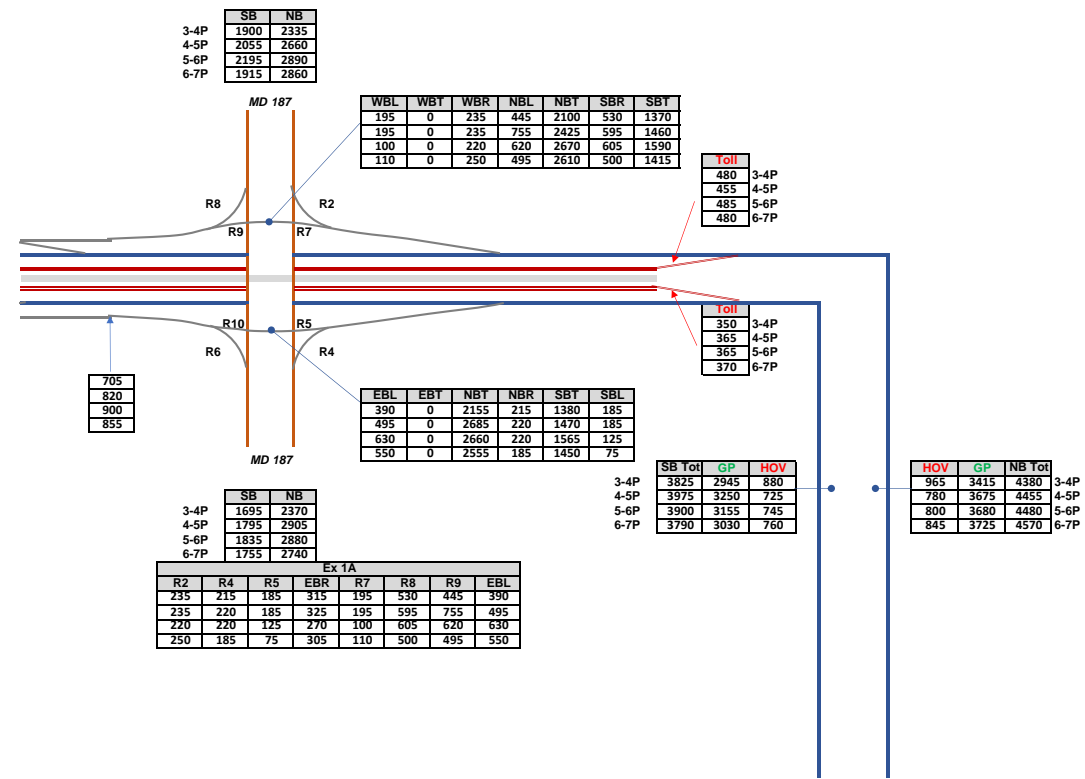
2027 Preferred Alternative Hourly PM Volume Diagram



2027 Preferred Alternative PM Hourly Volume Diagram



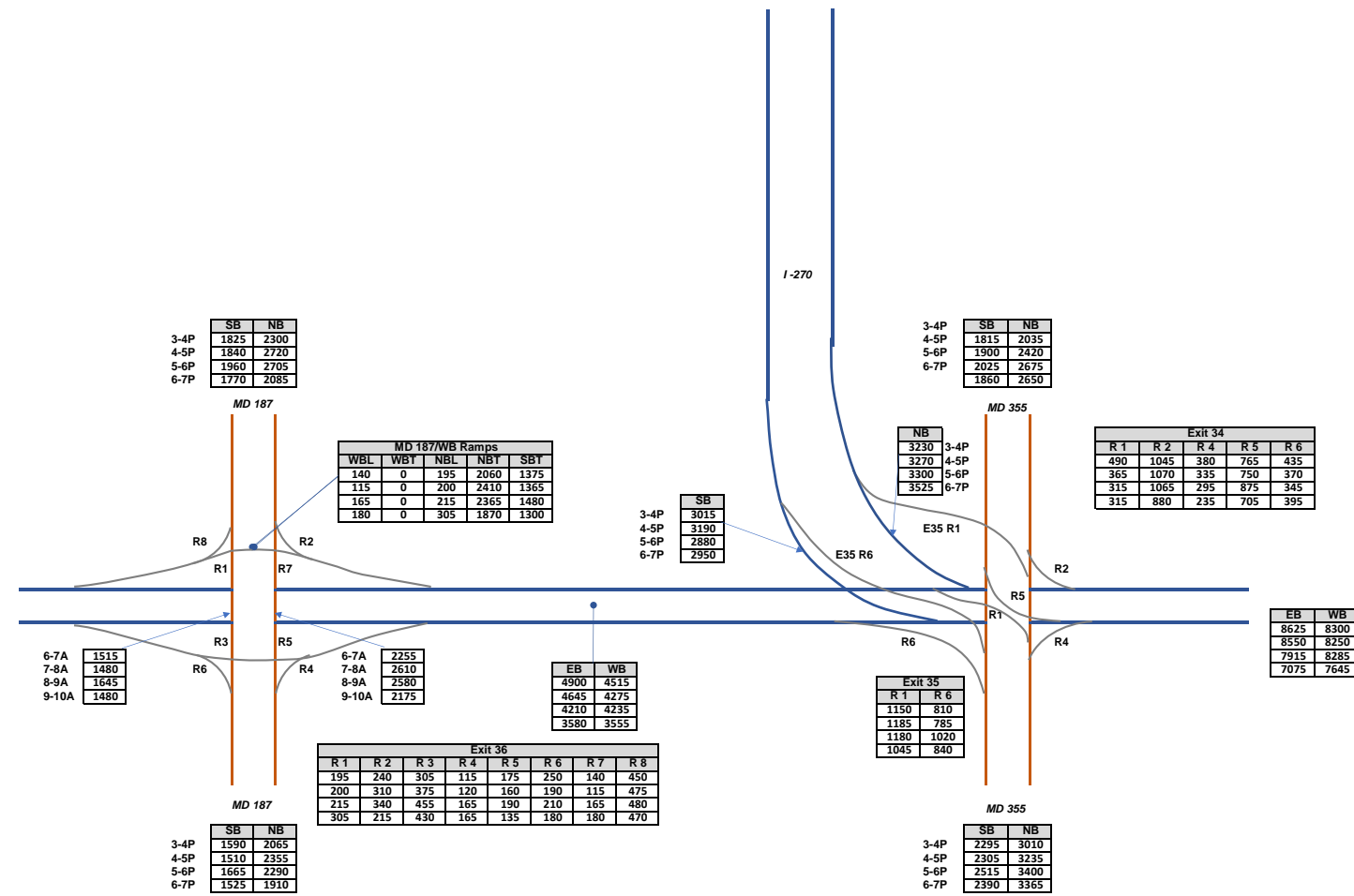
2027 Preferred Alternative Hourly PM Volume Diagram



2027 Preferred Alternative PM Hourly Volume Diagram



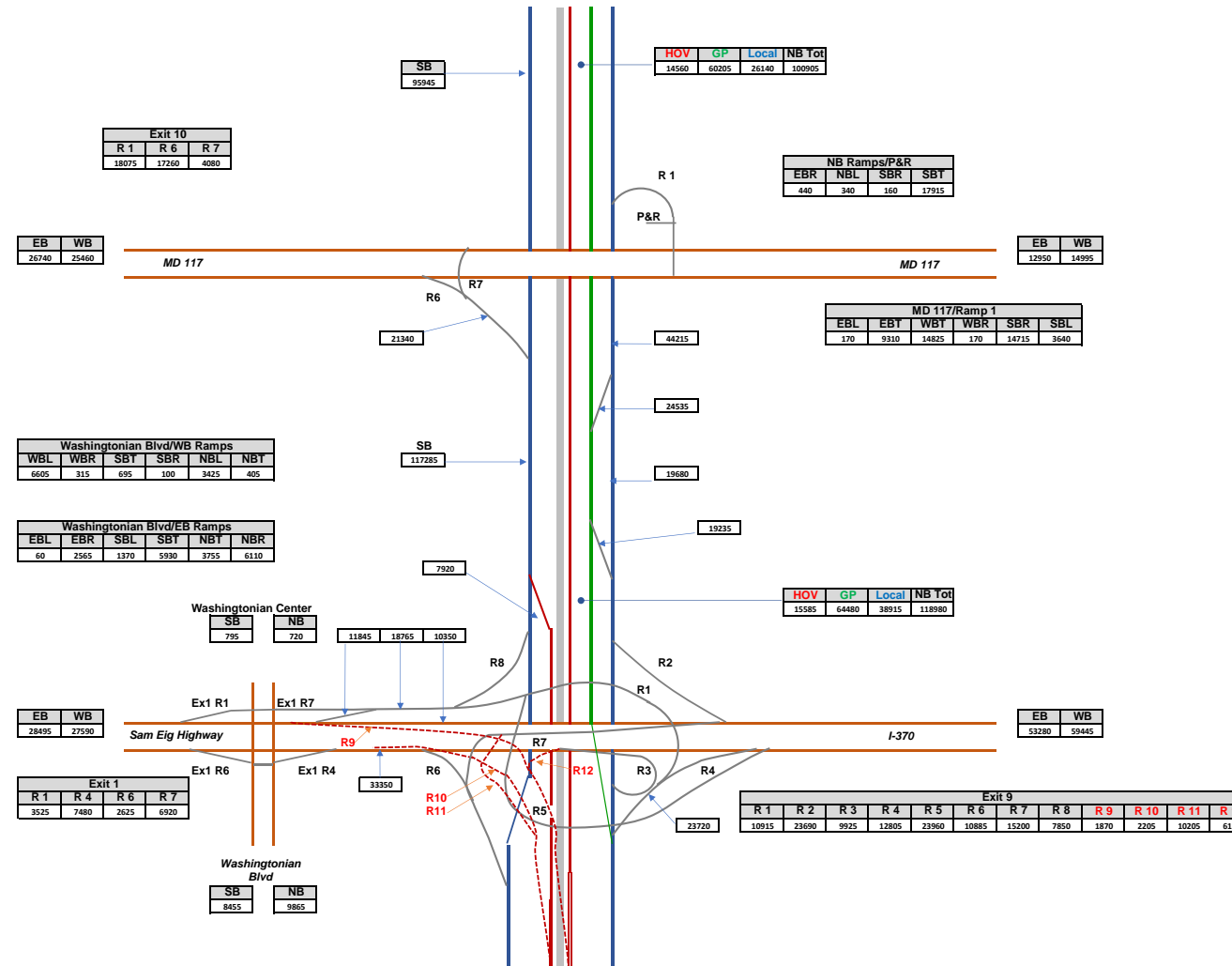
2027 Preferred Alternative Hourly PM Volume Diagram



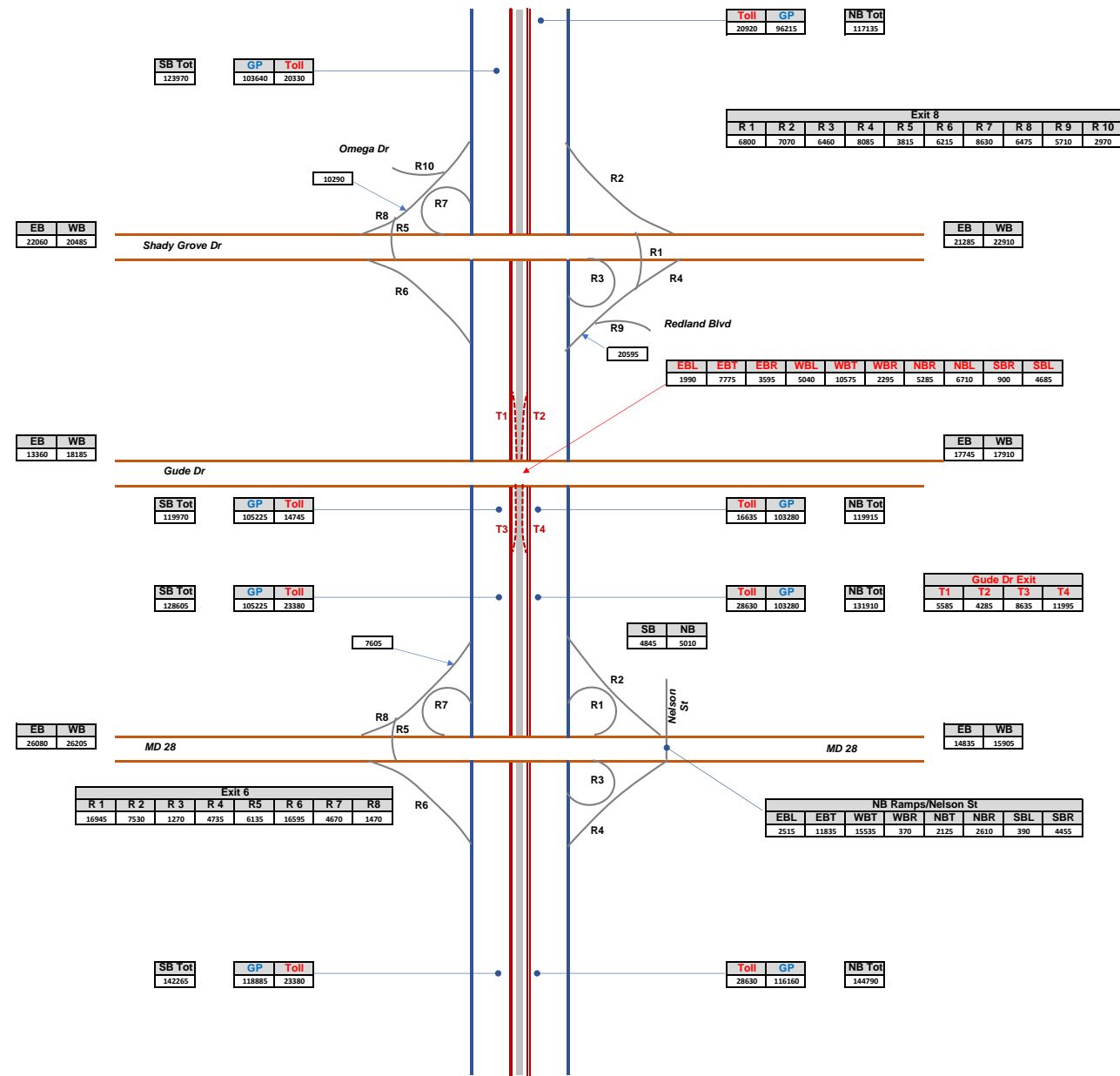
2027 Preferred Alternative PM Hourly Volume Diagram



2027 Preferred Alternative ADT Volume Diagram



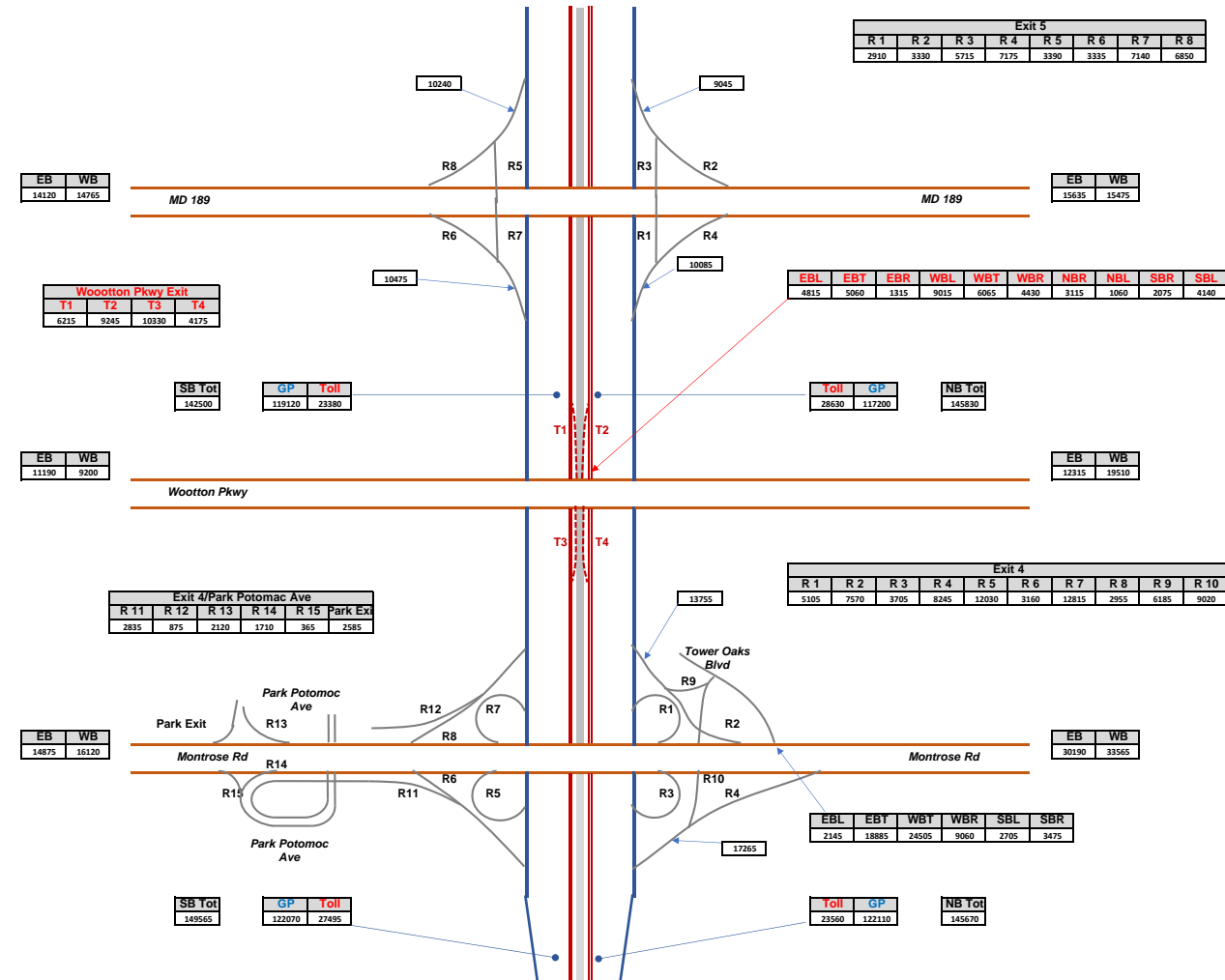
2027 Preferred Alternative ADT Volume Diagram



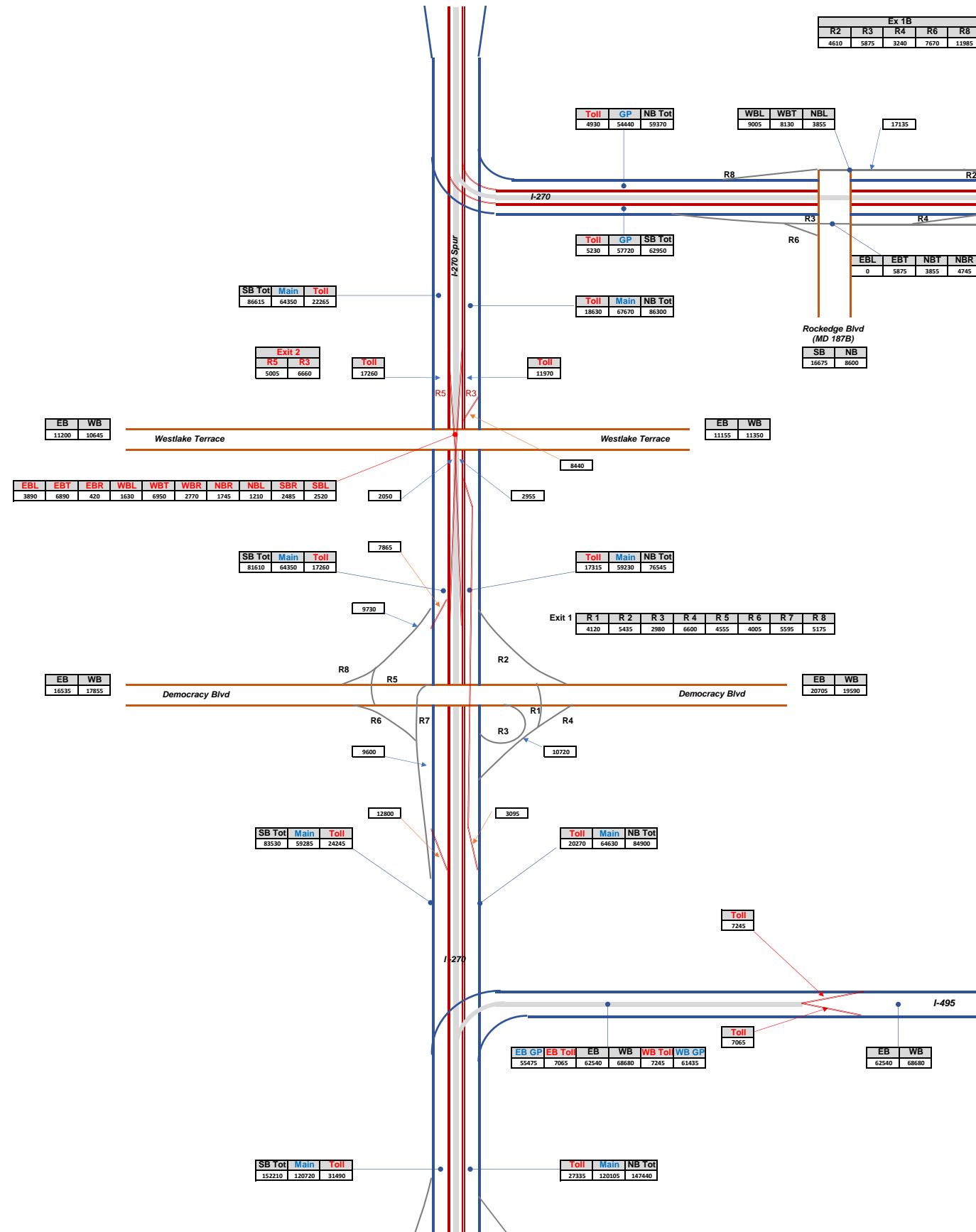
2027 Preferred Alternative ADT Volume Diagram



2027 Preferred Alternative ADT Volume Diagram



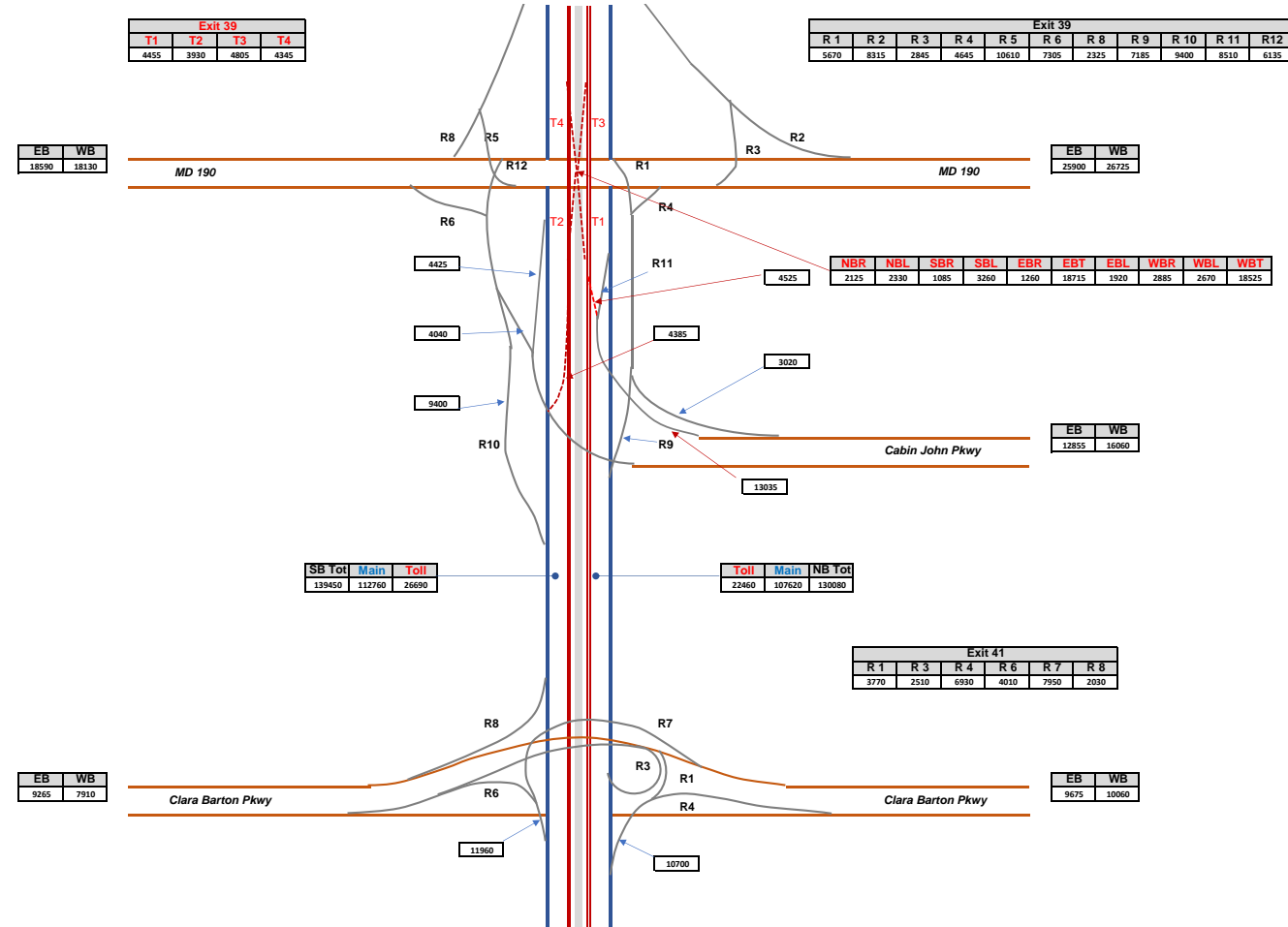
2027 Preferred Alternative ADT Volume Diagram



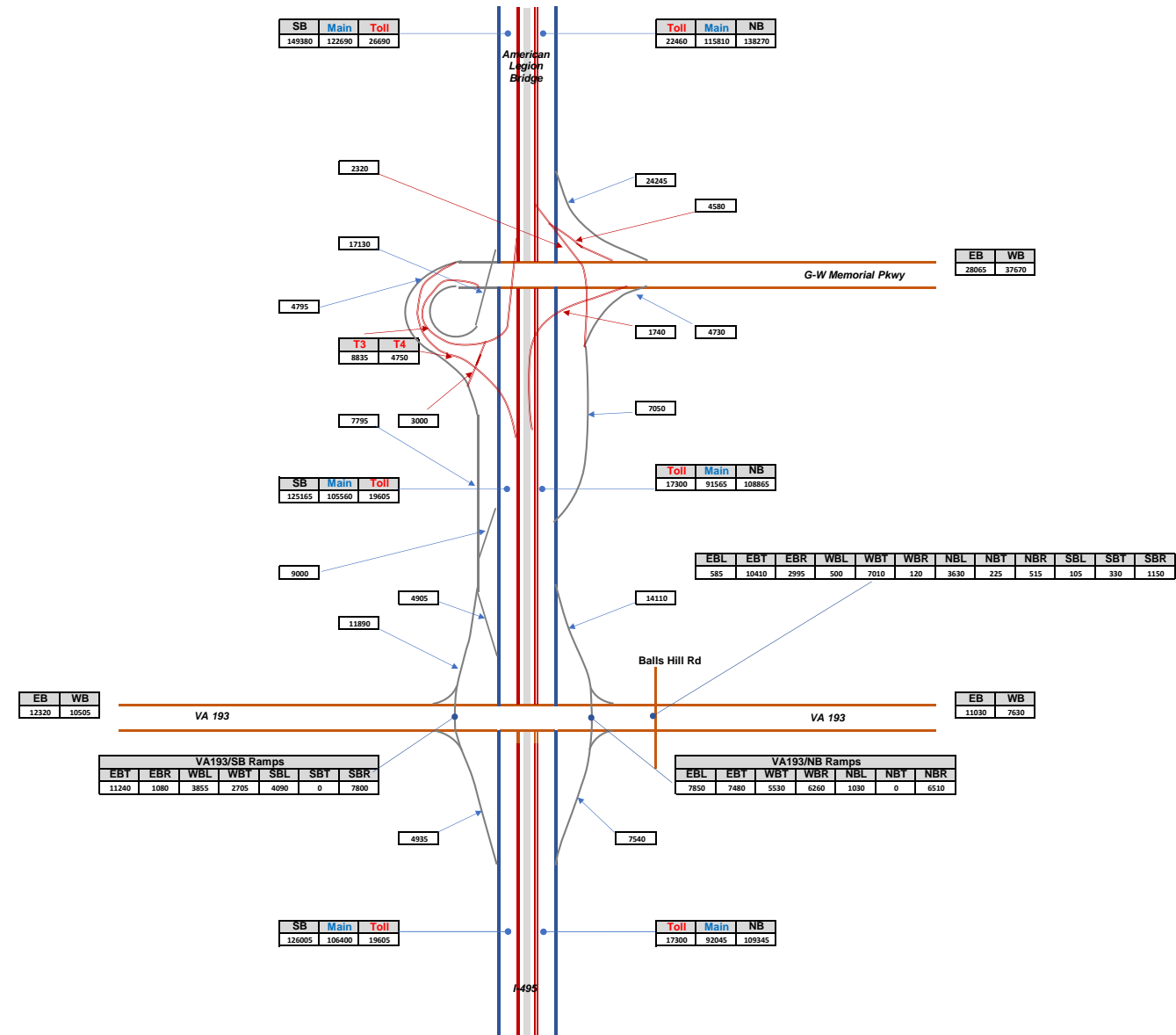
2027 Preferred Alternative ADT Volume Diagram



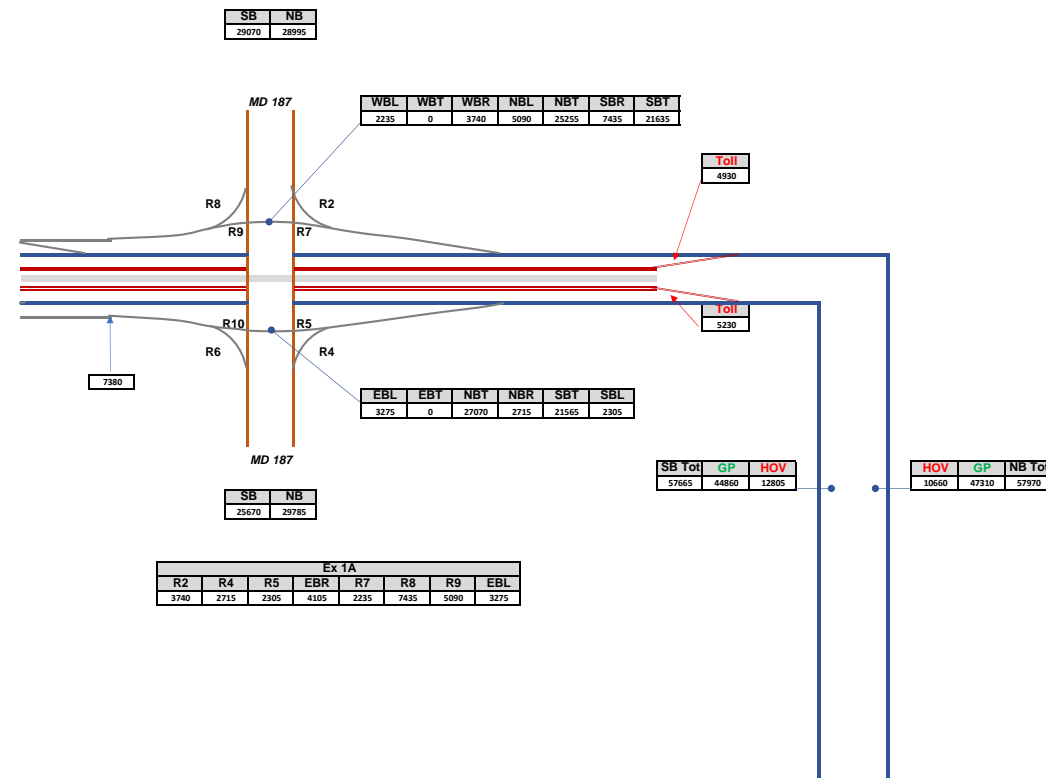
2027 Preferred Alternative ADT Volume Diagram



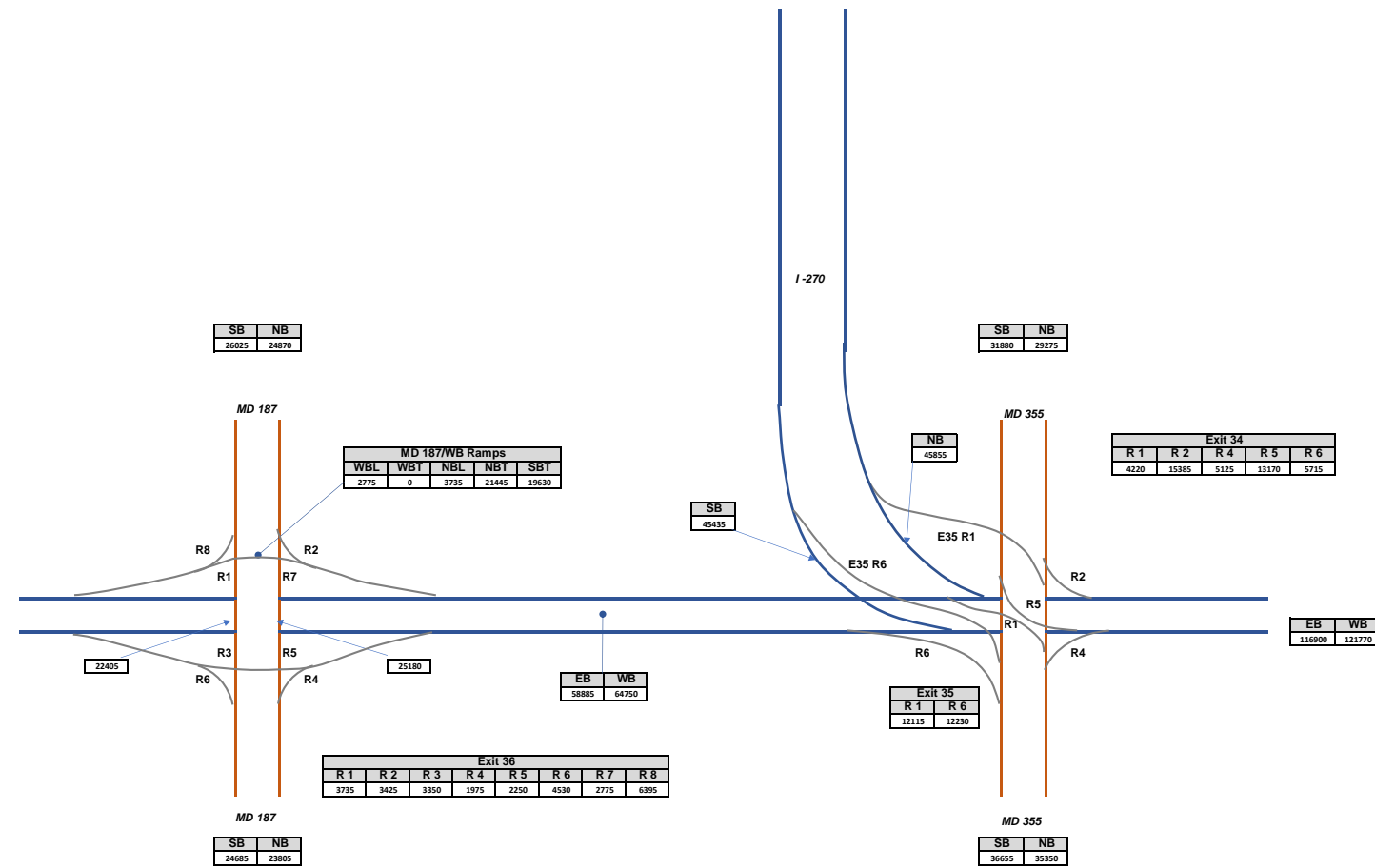
2027 Preferred Alternative ADT Volume Diagram



2027 Preferred Alternative ADT Volume Diagram



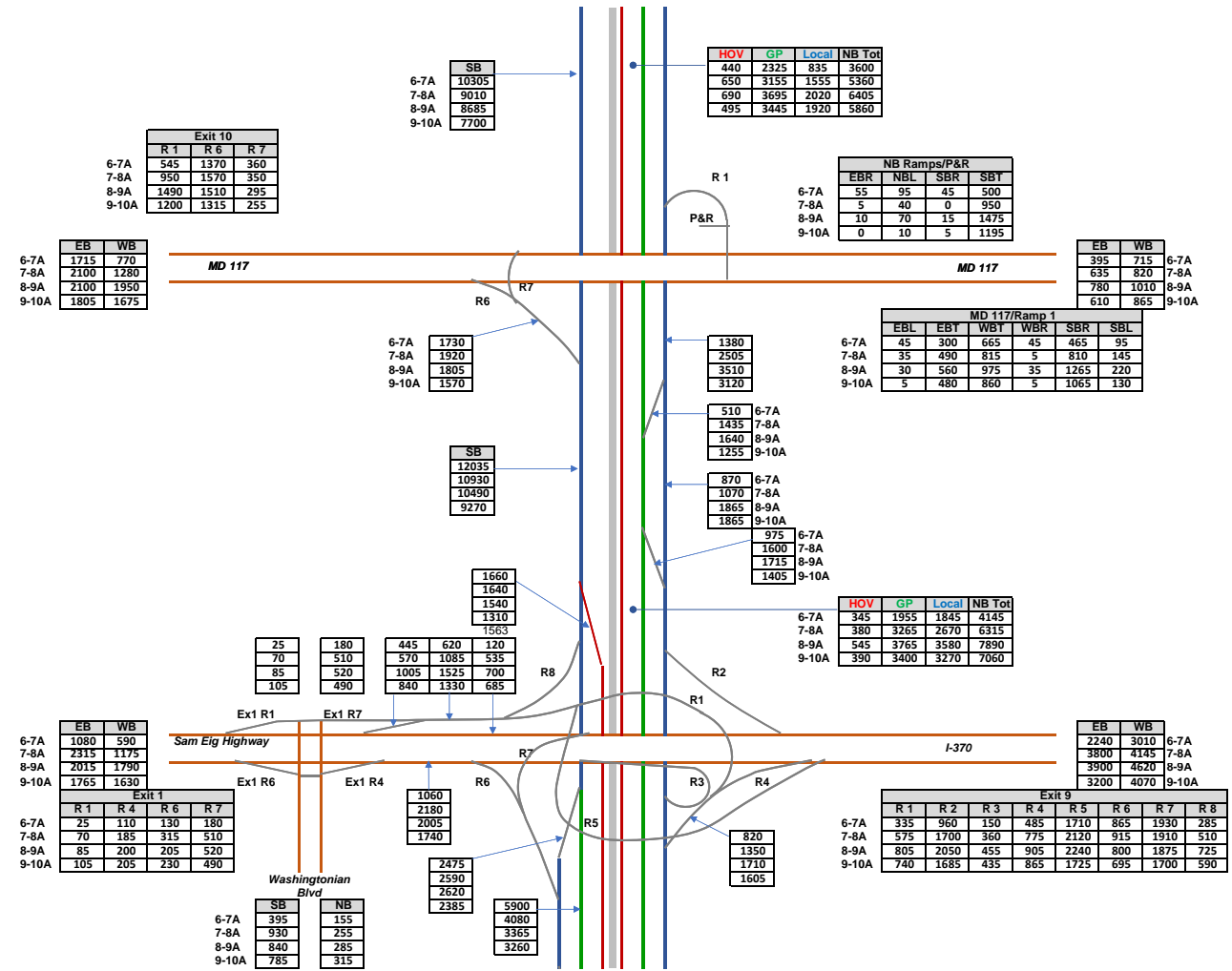
2027 Preferred Alternative ADT Volume Diagram



2027 Preferred Alternative ADT Volume Diagram



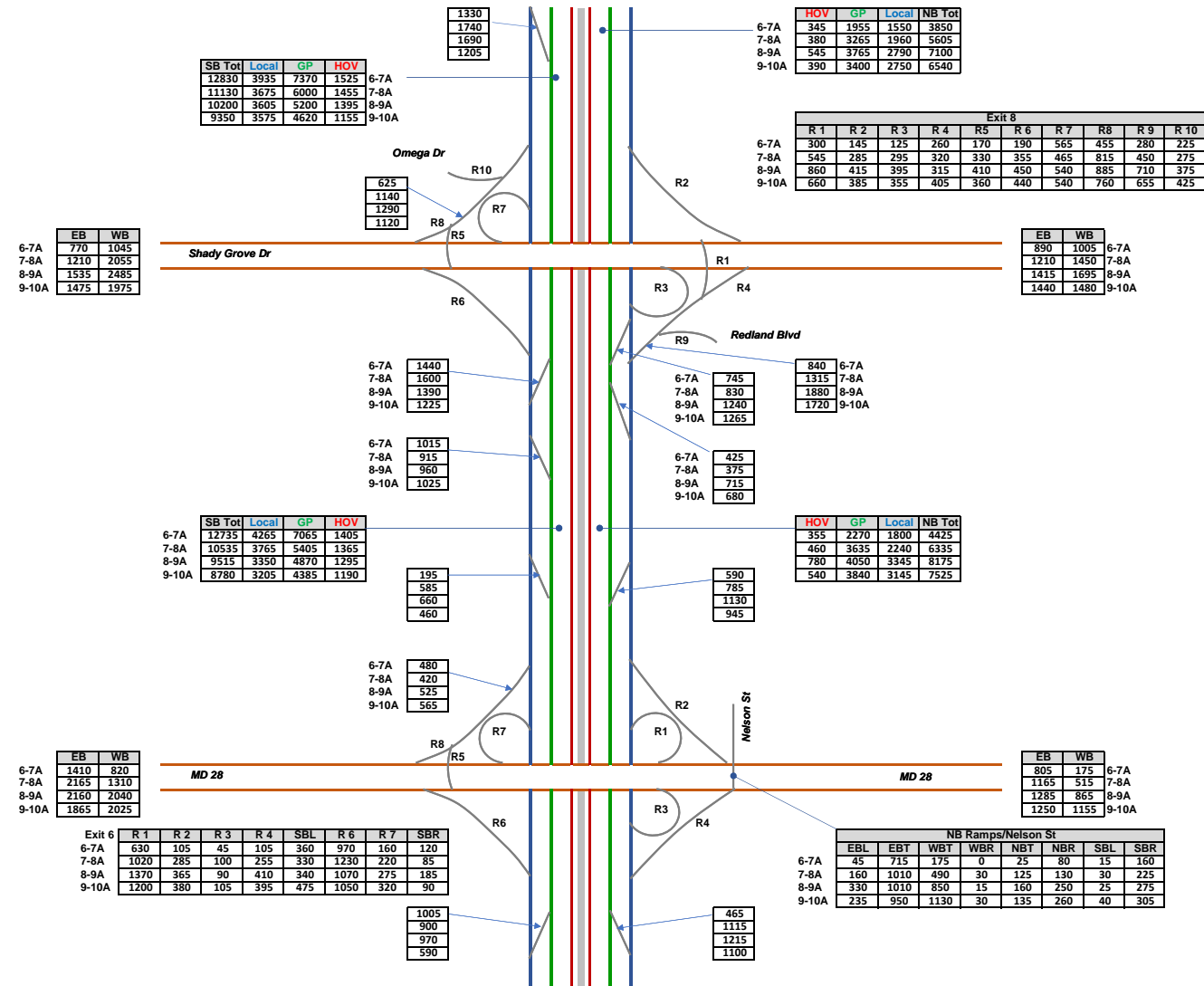
2045 No-Build Hourly AM Volume Diagram



2045 No-Build Hourly AM Volume Diagram



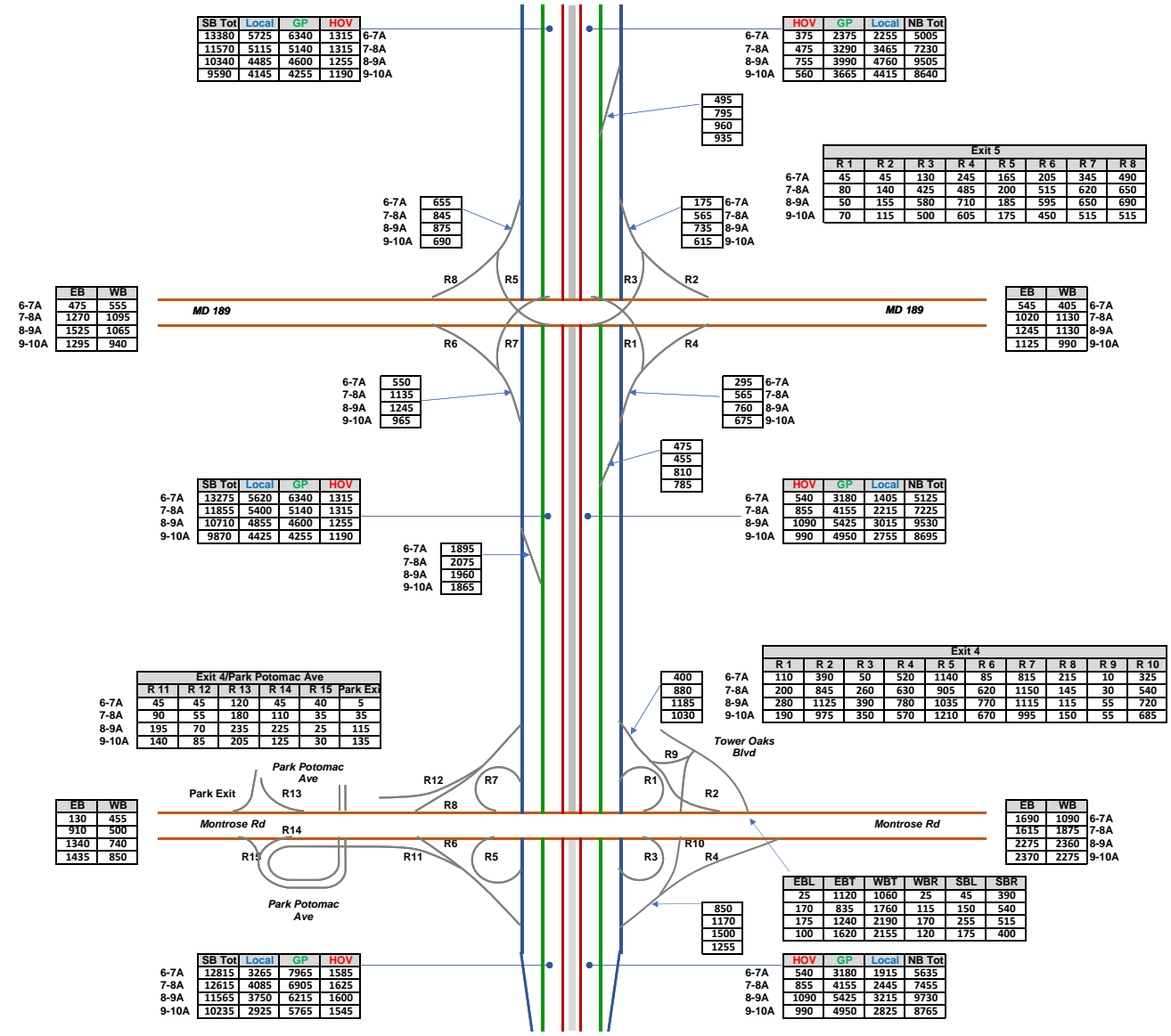
2045 No-Build Hourly AM Volume Diagram



2045 No-Build Hourly AM Volume Diagram



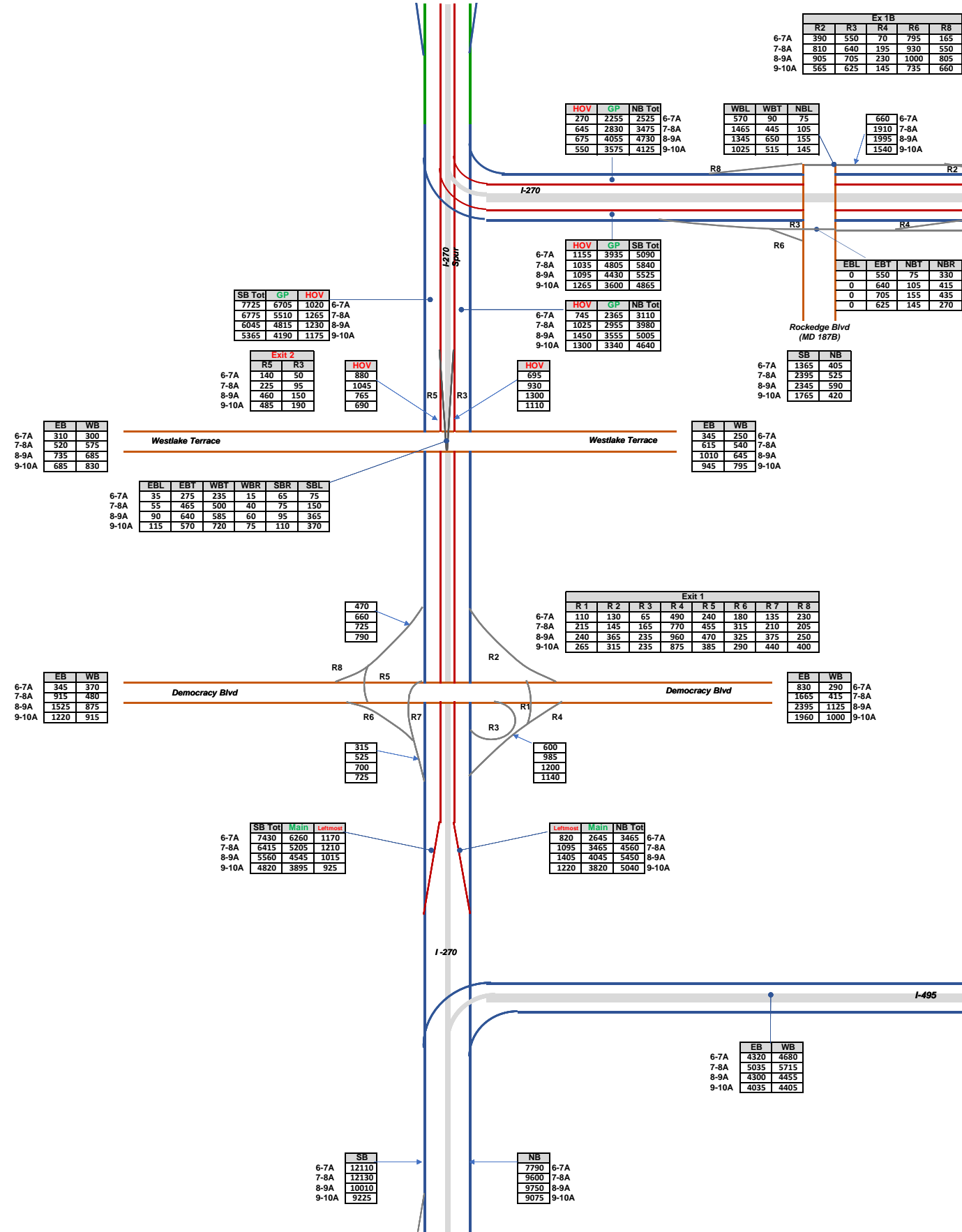
2045 No-Build Hourly AM Volume Diagram



2045 No-Build Hourly AM Volume Diagram



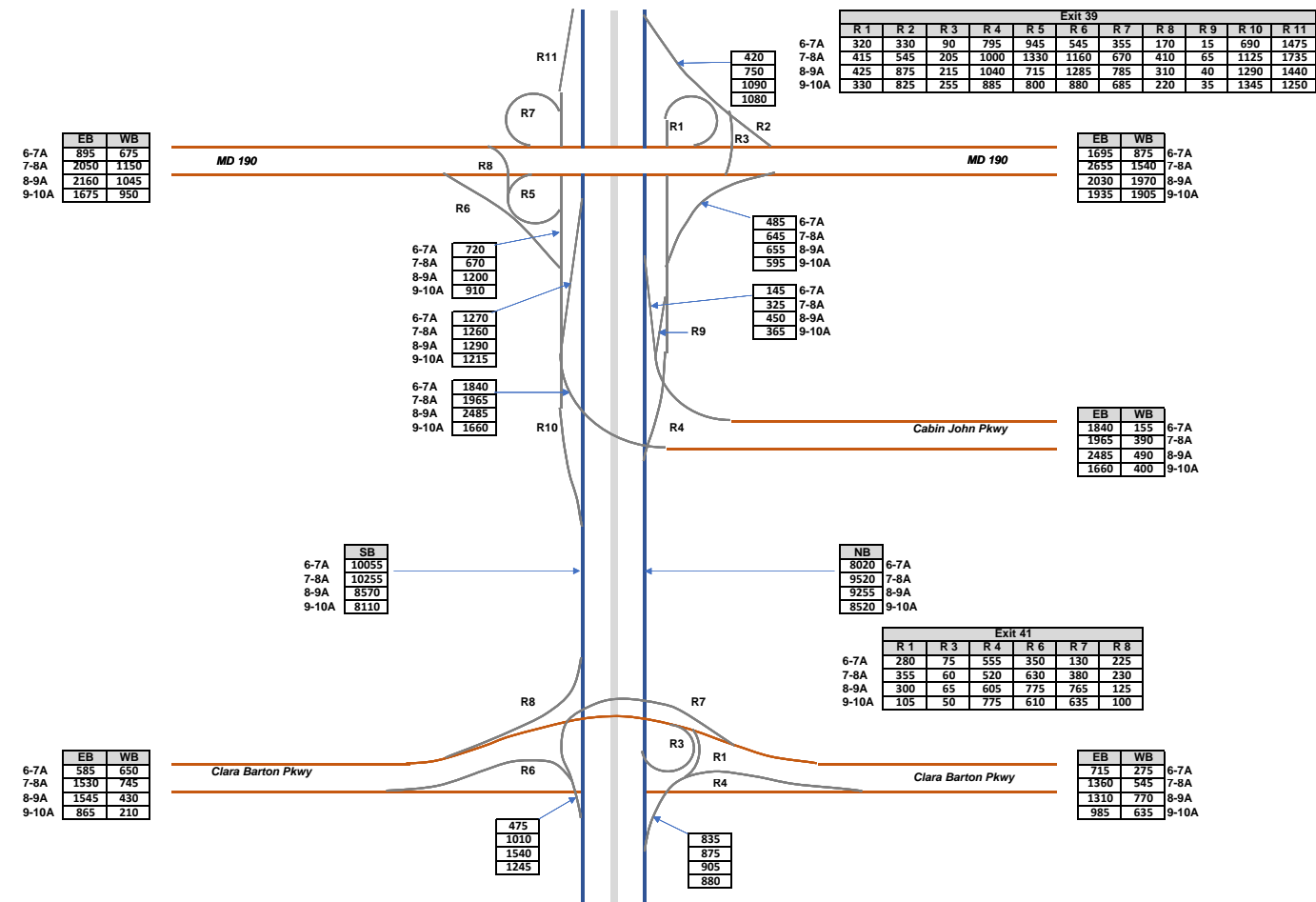
2045 No-Build Hourly AM Volume Diagram



2045 No-Build Hourly AM Volume Diagram



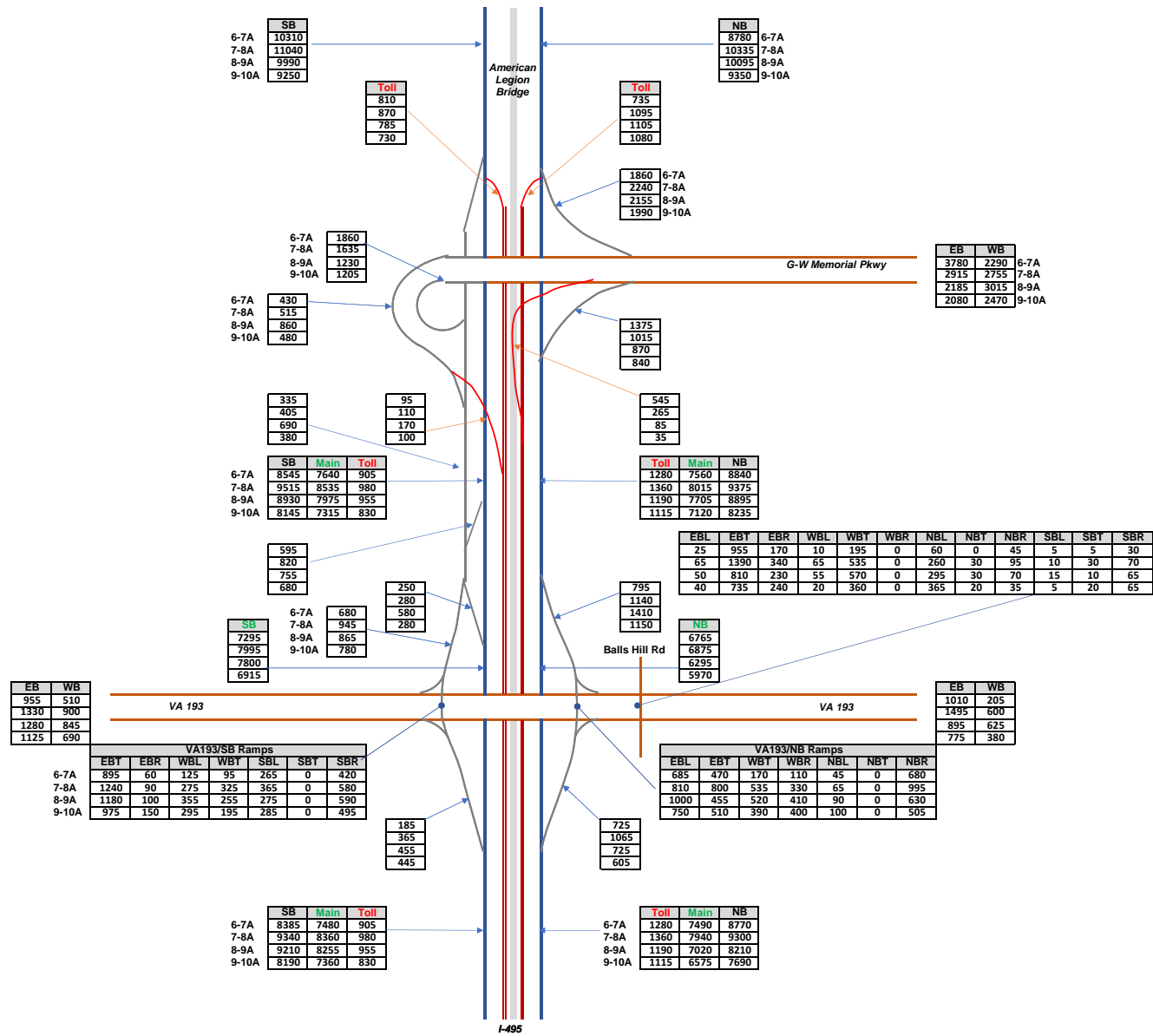
2045 No-Build Hourly AM Volume Diagram



2045 No-Build Hourly AM Volume Diagram



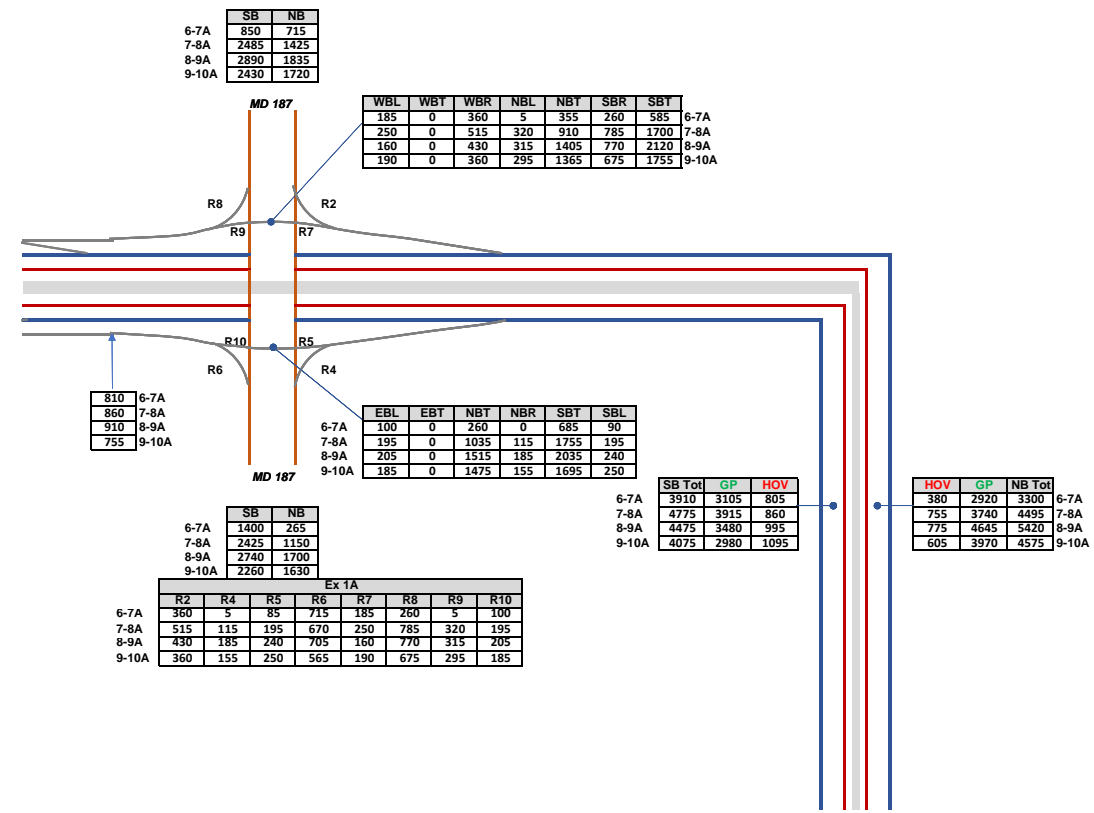
2045 No-Build Hourly AM Volume Diagram



2045 No-Build Hourly AM Volume Diagram



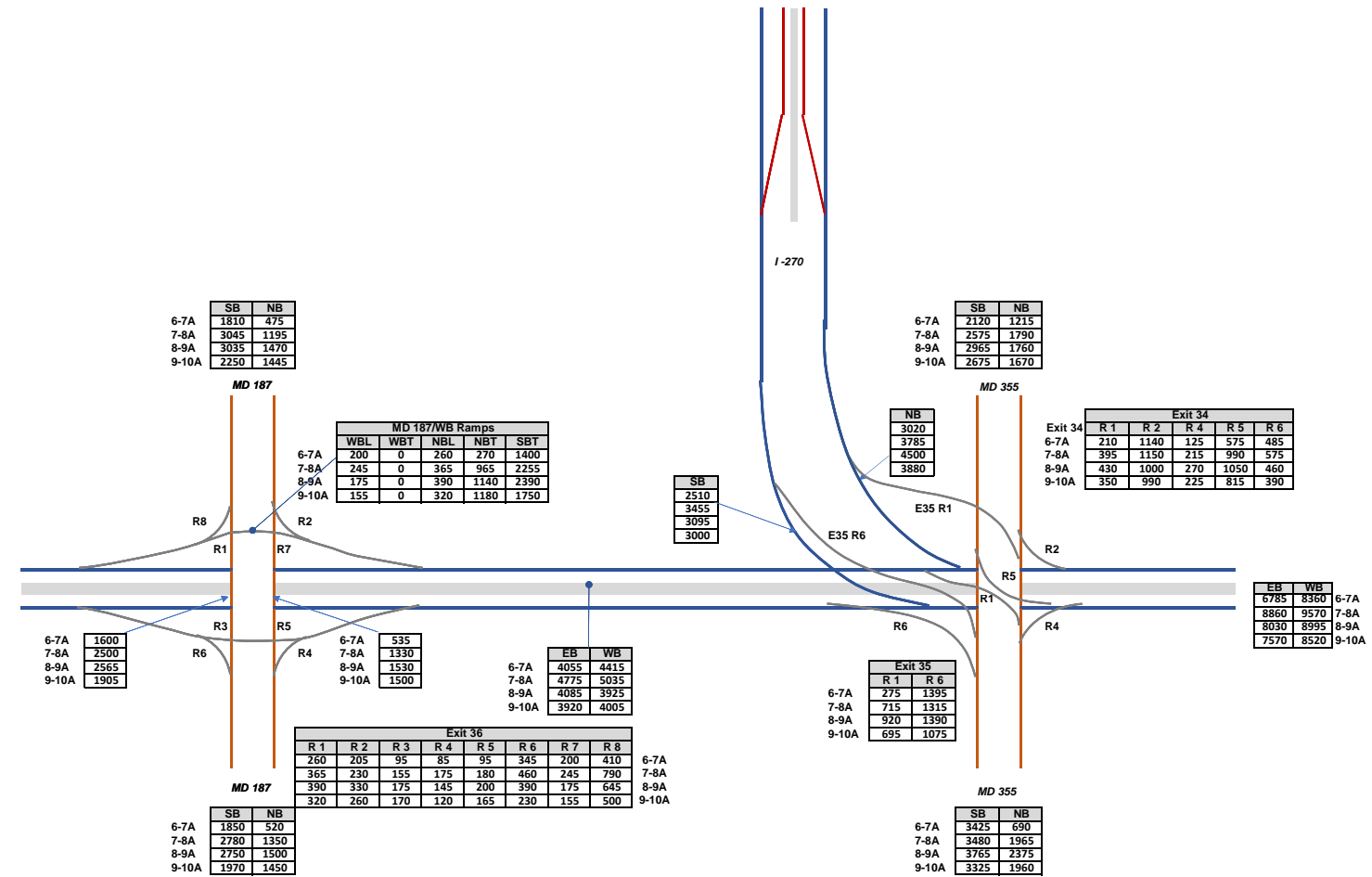
2045 No-Build Hourly AM Volume Diagram



2045 No-Build Hourly AM Volume Diagram



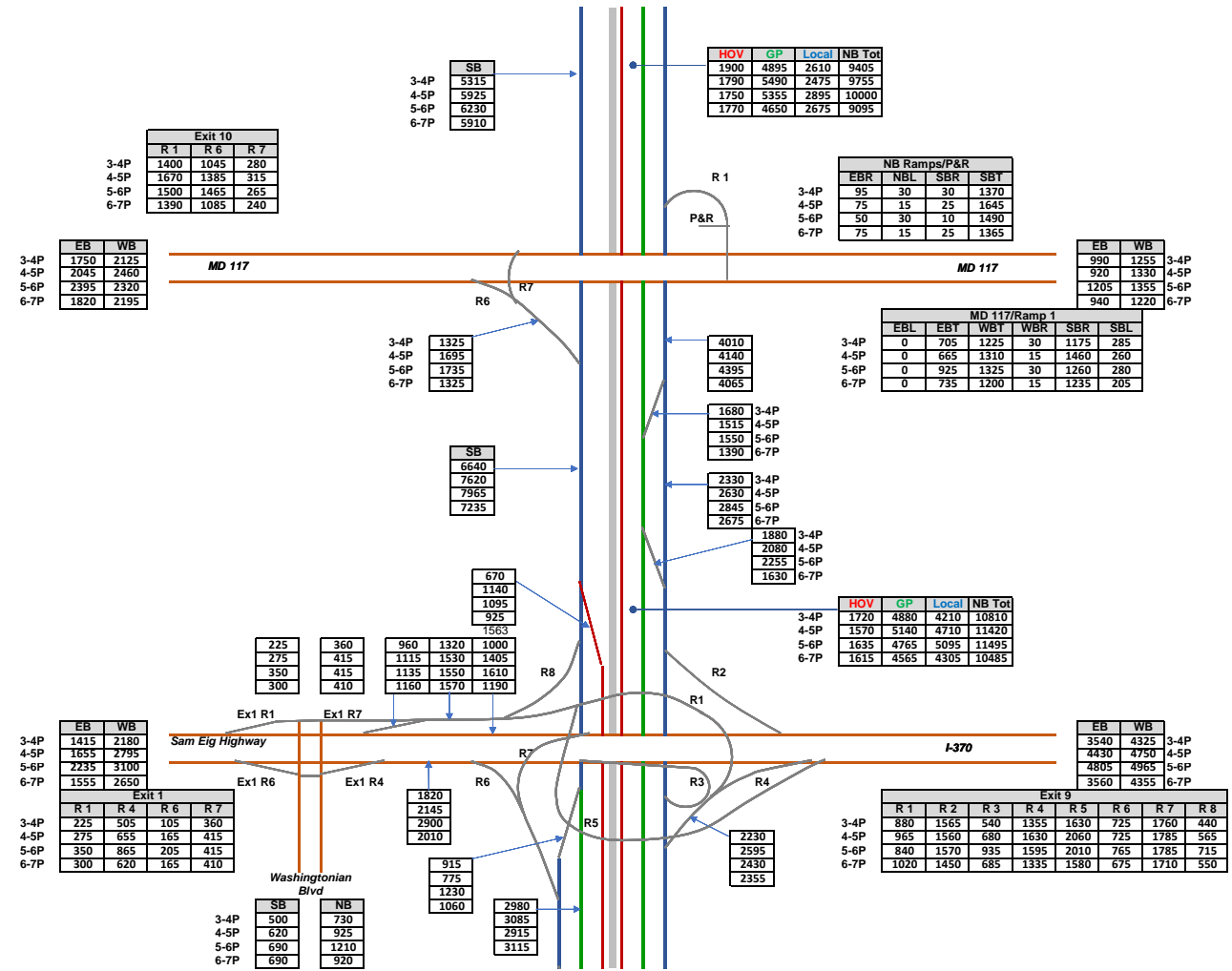
2045 No-Build Hourly AM Volume Diagram



2045 No-Build Hourly AM Volume Diagram



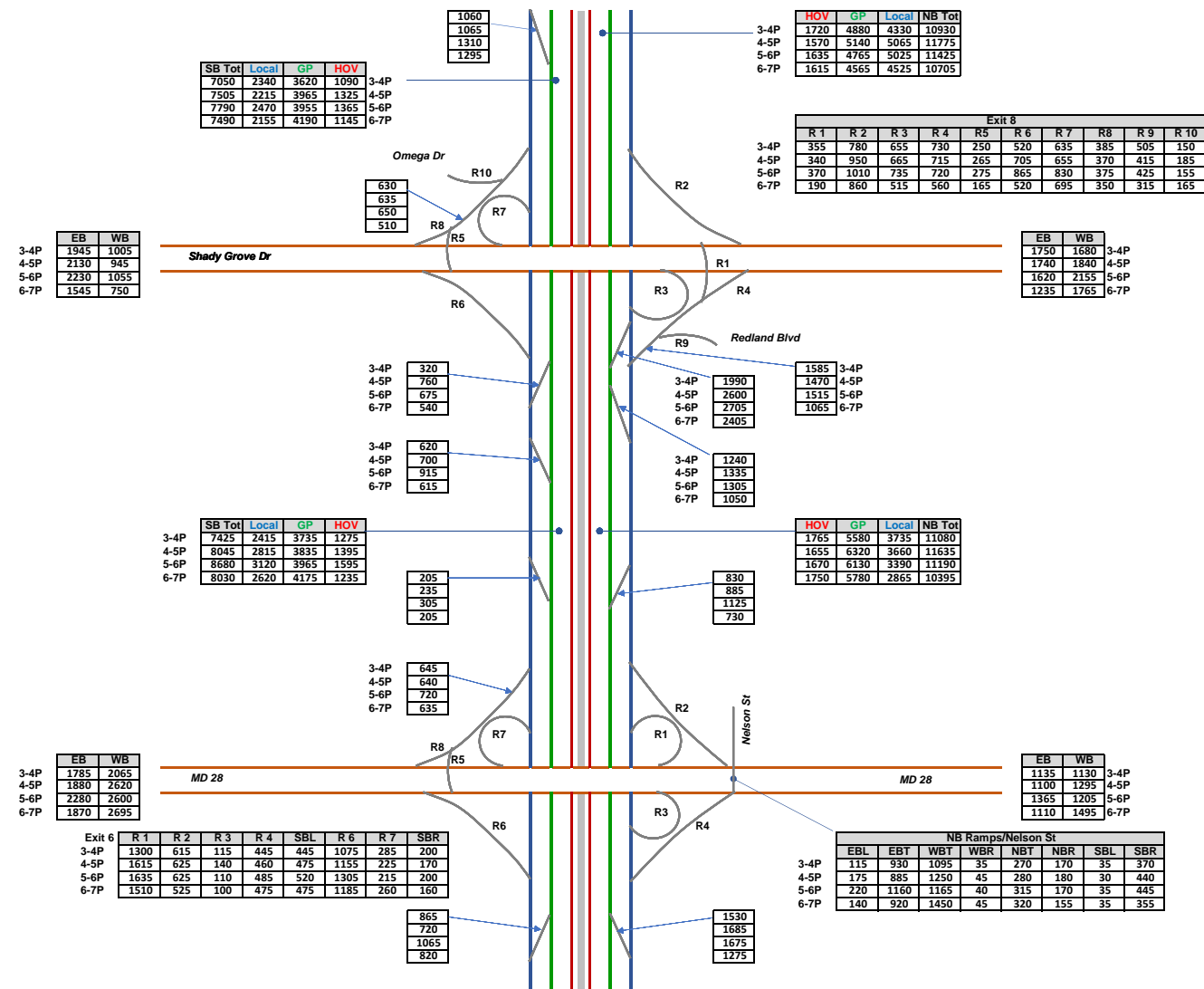
2045 No-Build Hourly PM Volume Diagram



2045 No-Build Hourly PM Volume Diagram



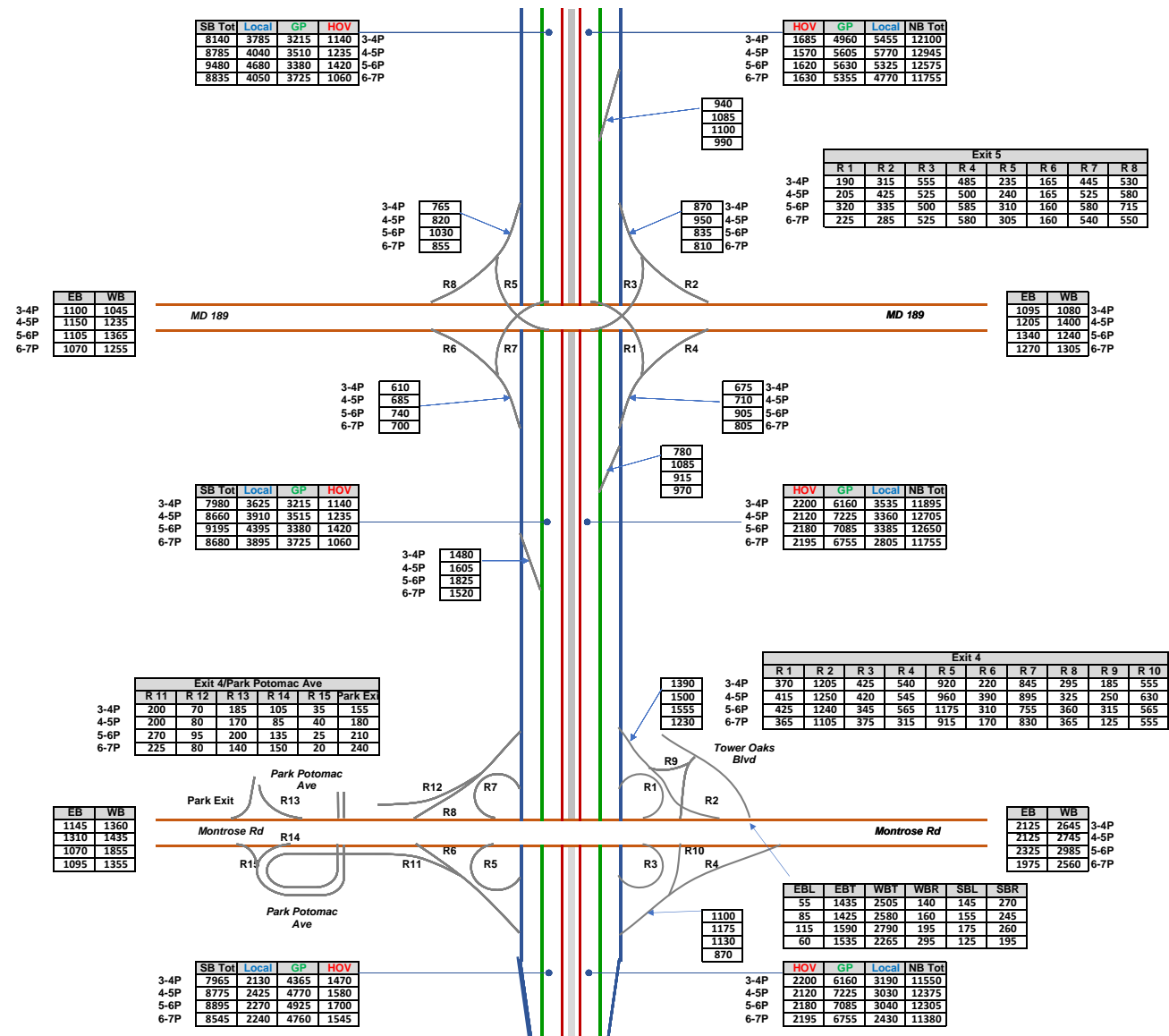
2045 No-Build Hourly PM Volume Diagram



2045 No-Build Hourly PM Volume Diagram



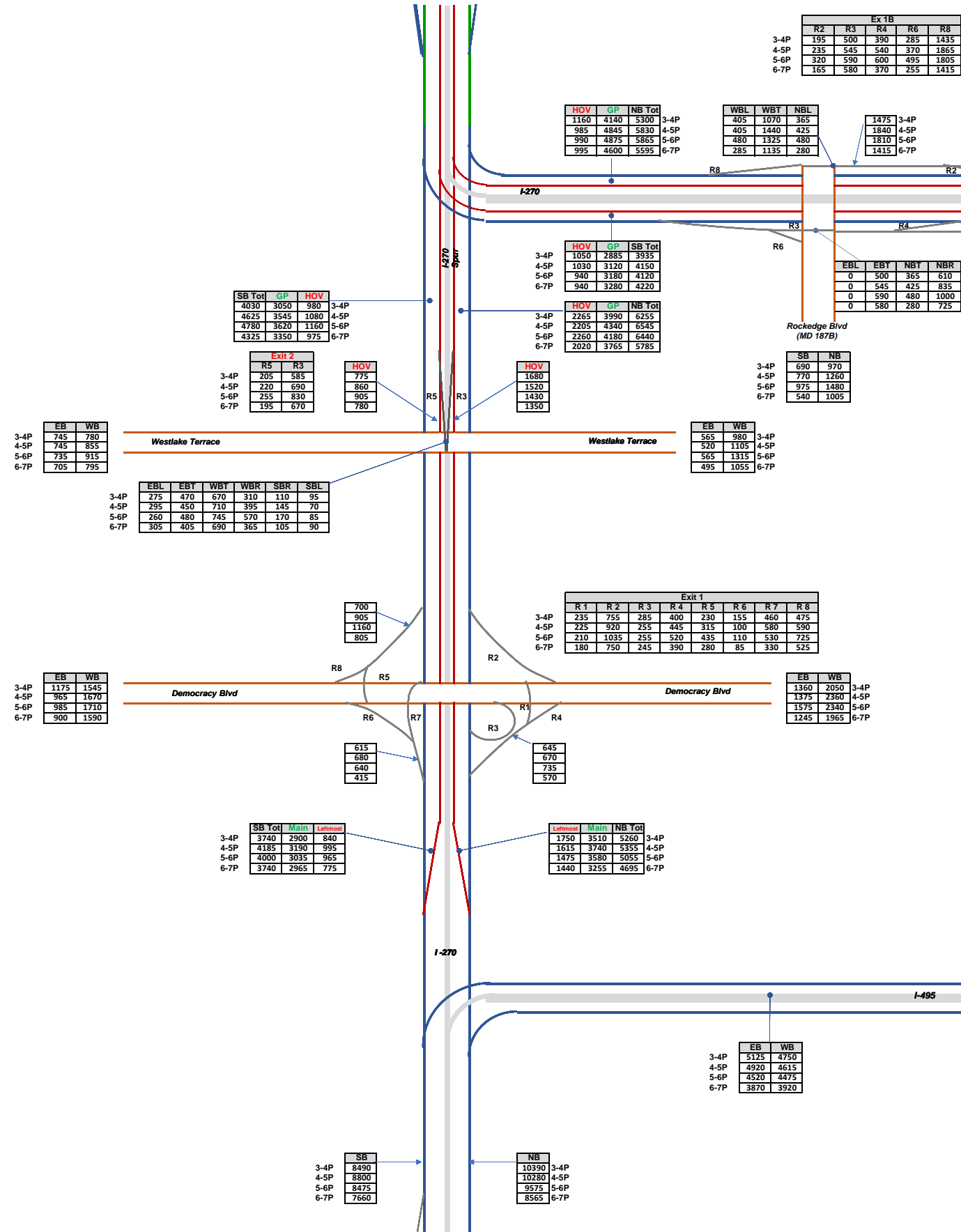
2045 No-Build Hourly PM Volume Diagram



2045 No-Build Hourly PM Volume Diagram



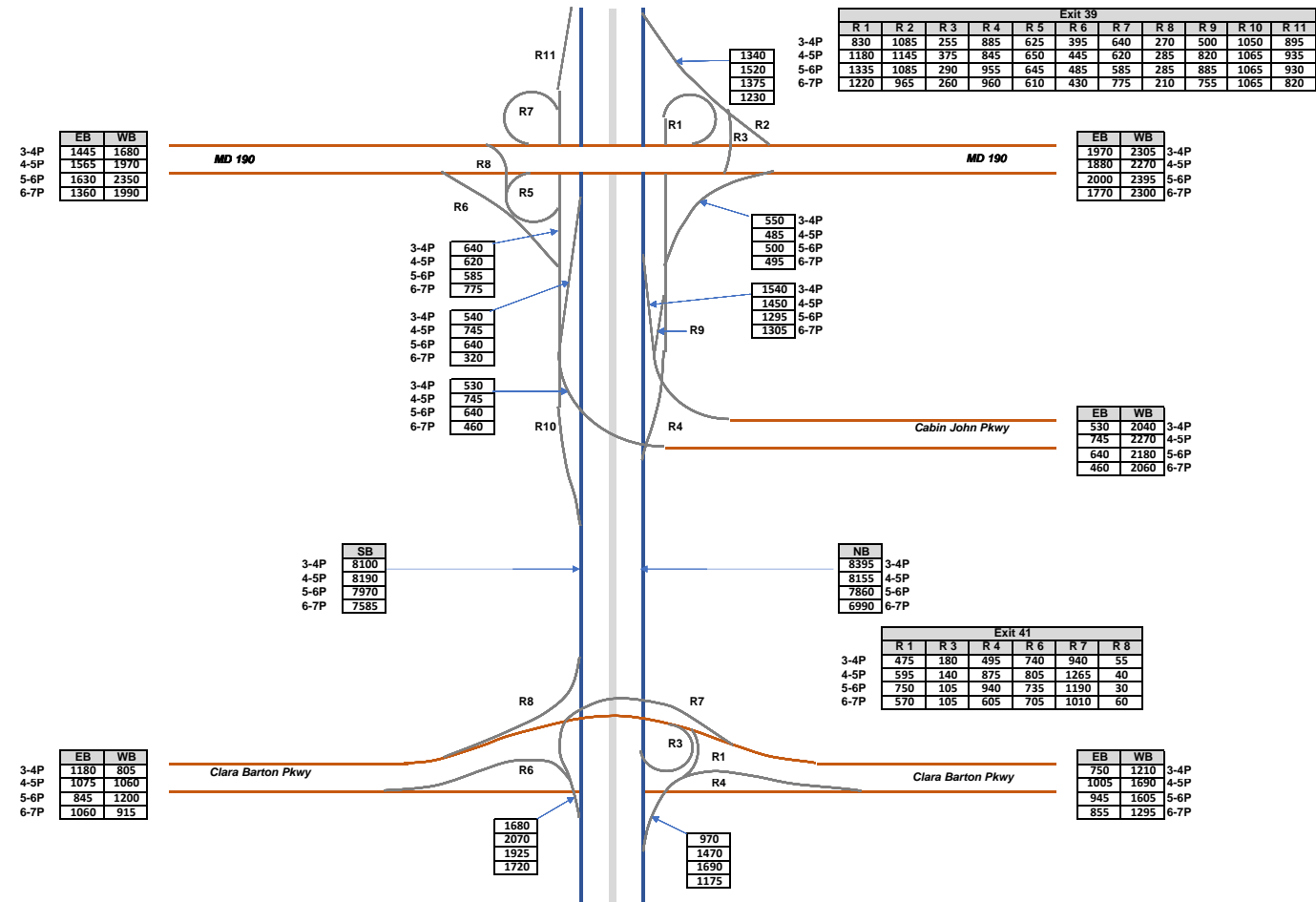
2045 No-Build Hourly PM Volume Diagram



2045 No-Build Hourly PM Volume Diagram



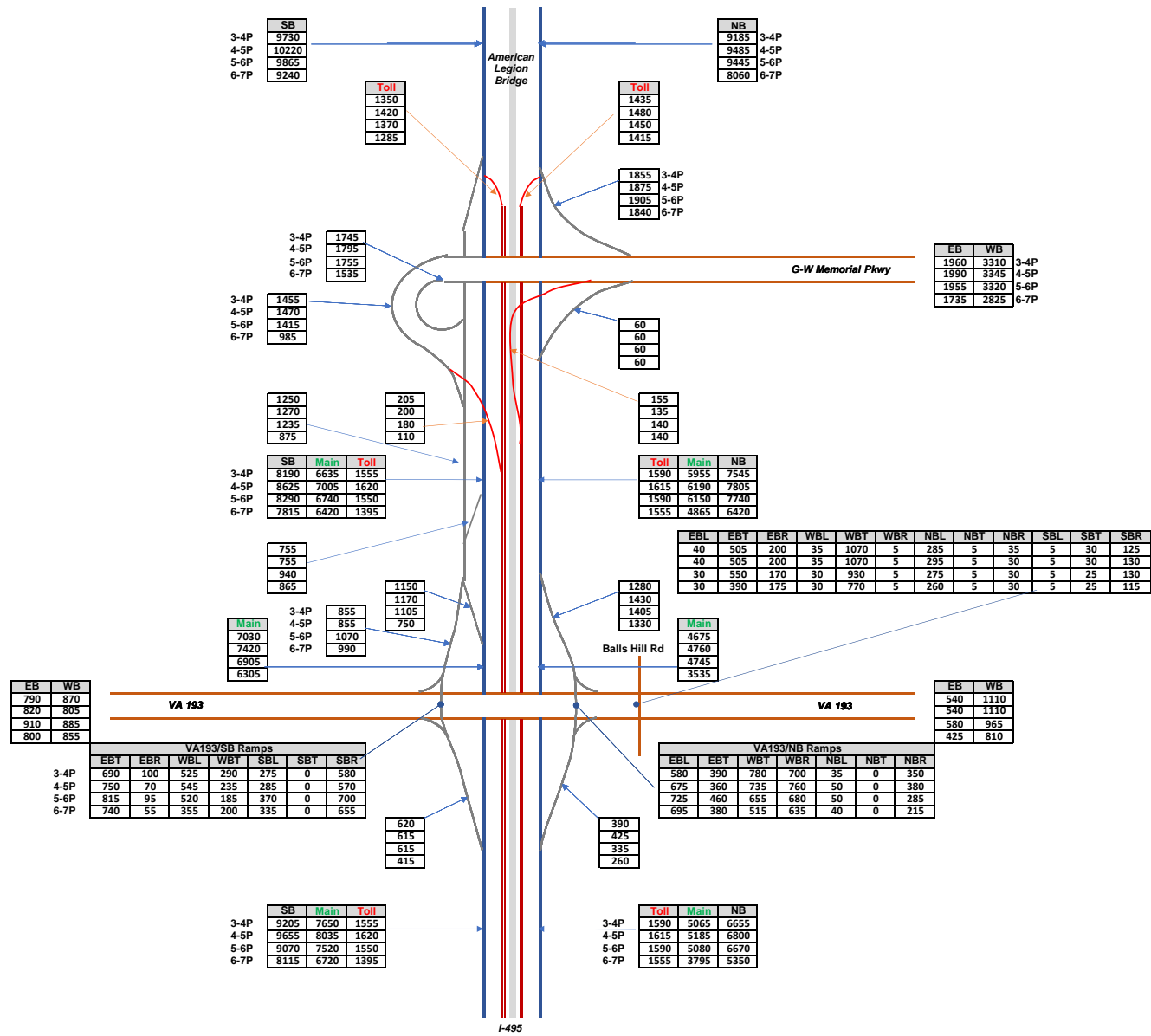
2045 No-Build Hourly PM Volume Diagram



2045 No-Build Hourly PM Volume Diagram



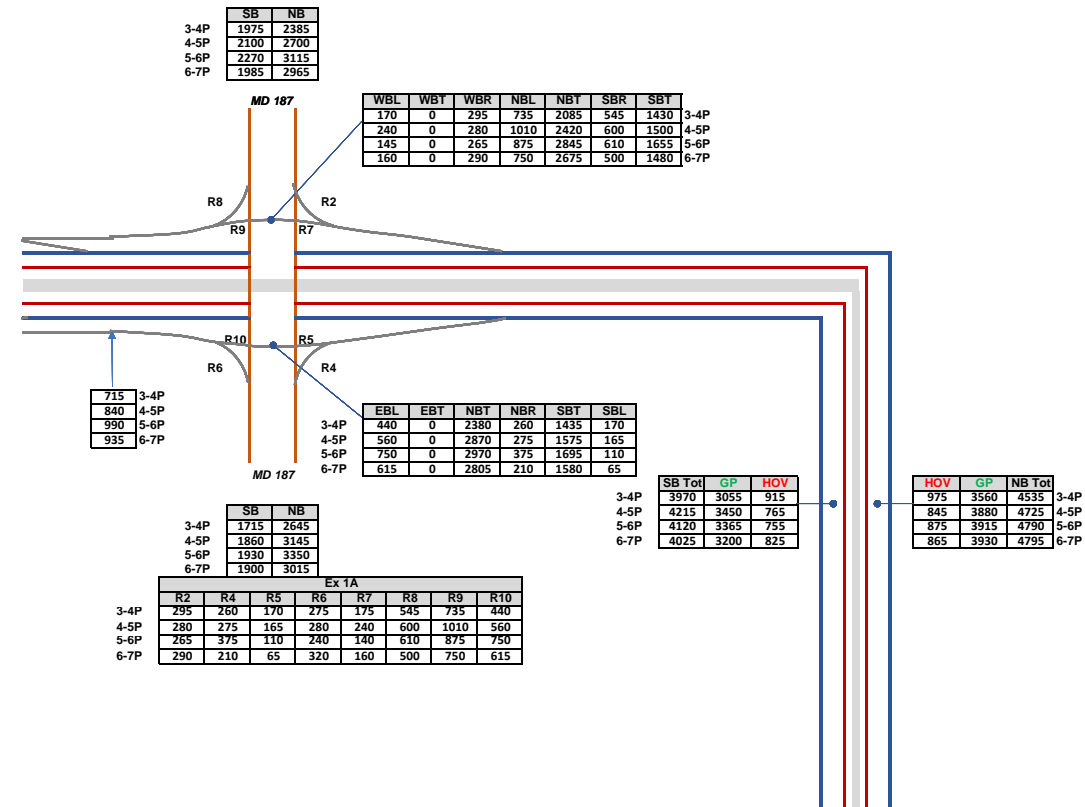
2045 No-Build Hourly PM Volume Diagram



2045 No-Build Hourly PM Volume Diagram



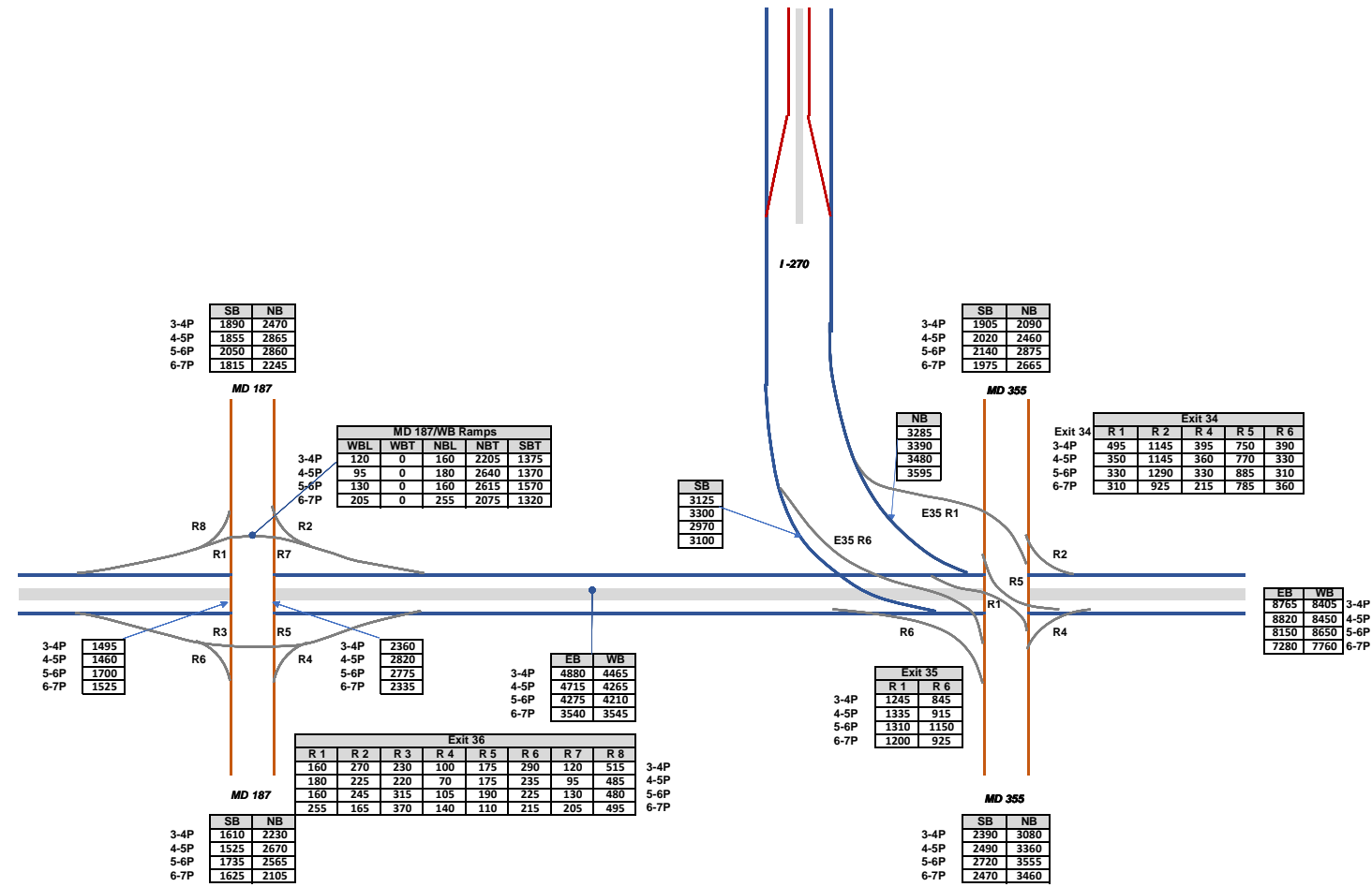
2045 No-Build Hourly PM Volume Diagram



2045 No-Build Hourly PM Volume Diagram



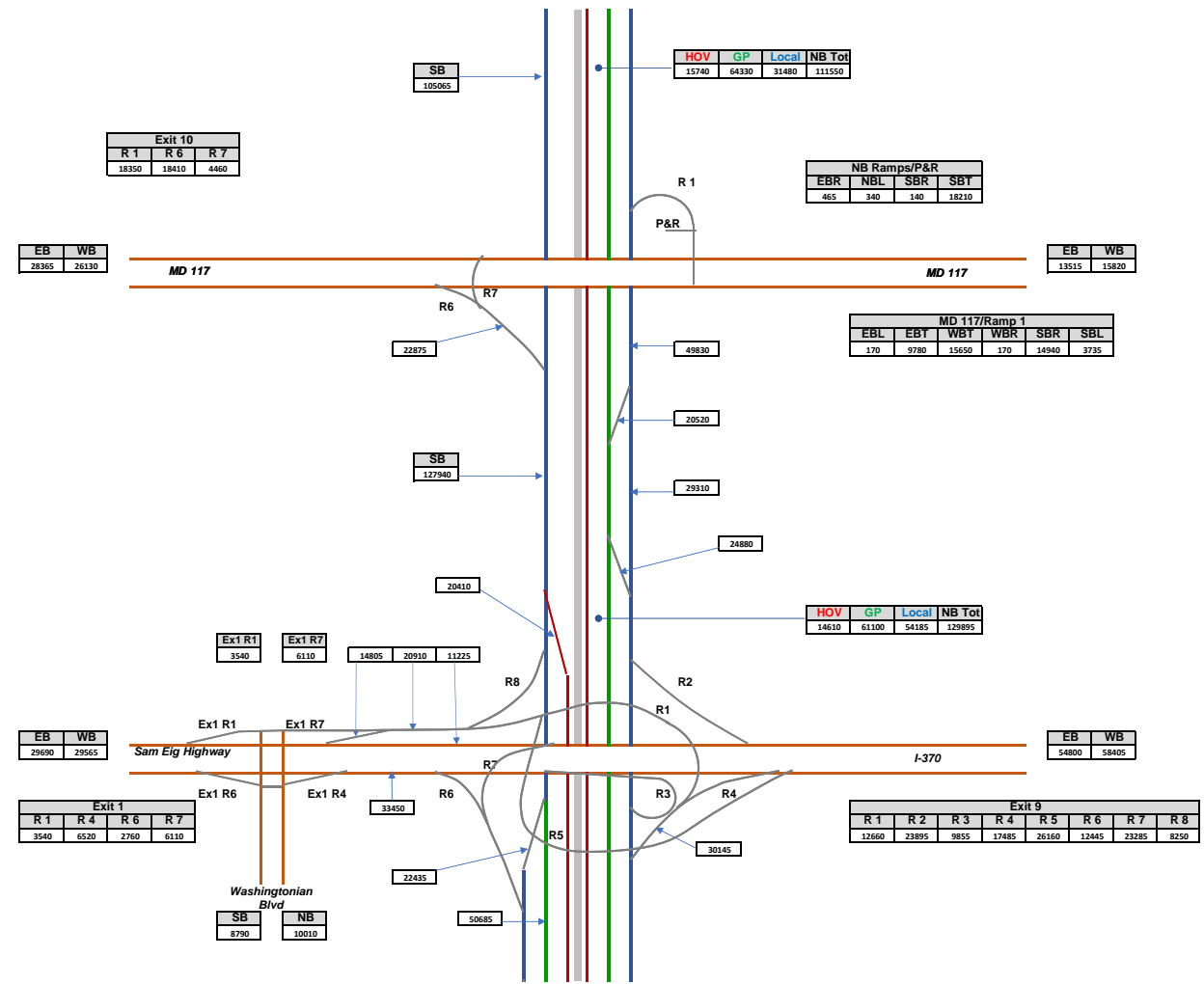
2045 No-Build Hourly PM Volume Diagram



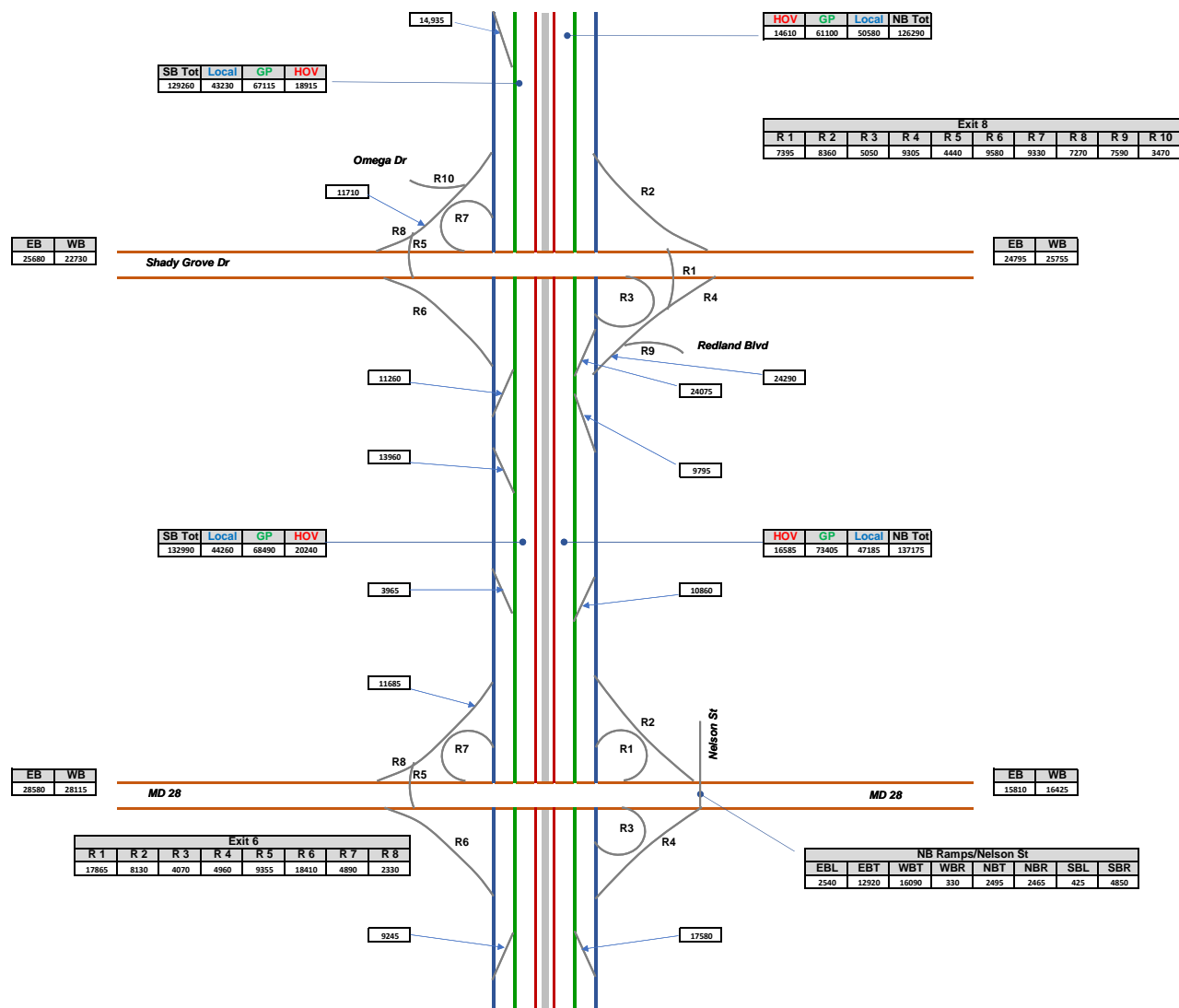
2045 No-Build Hourly PM Volume Diagram



2045 No-Build ADT Volume Diagram



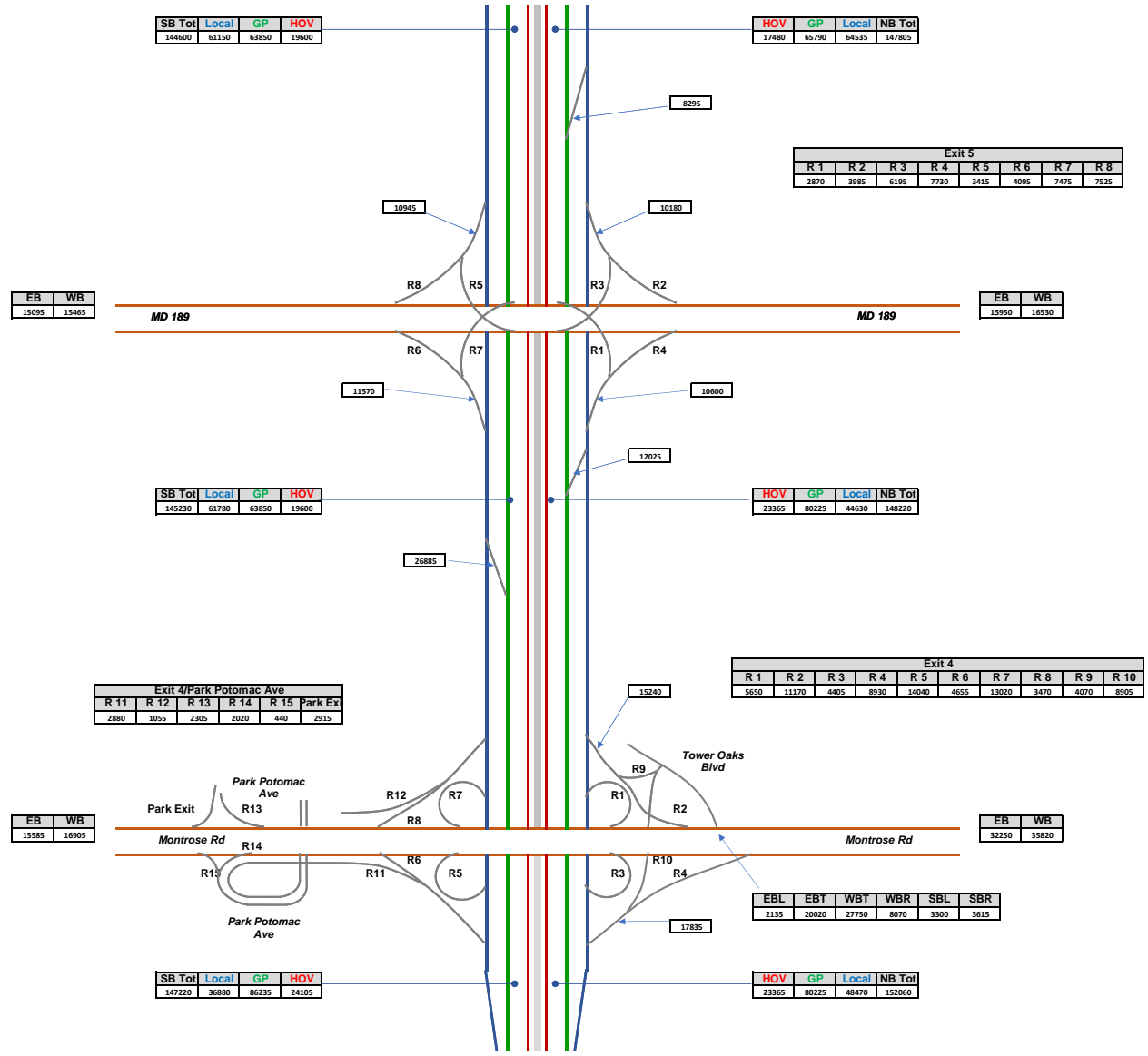
2045 No-Build ADT Volume Diagram



2045 No-Build ADT Volume Diagram



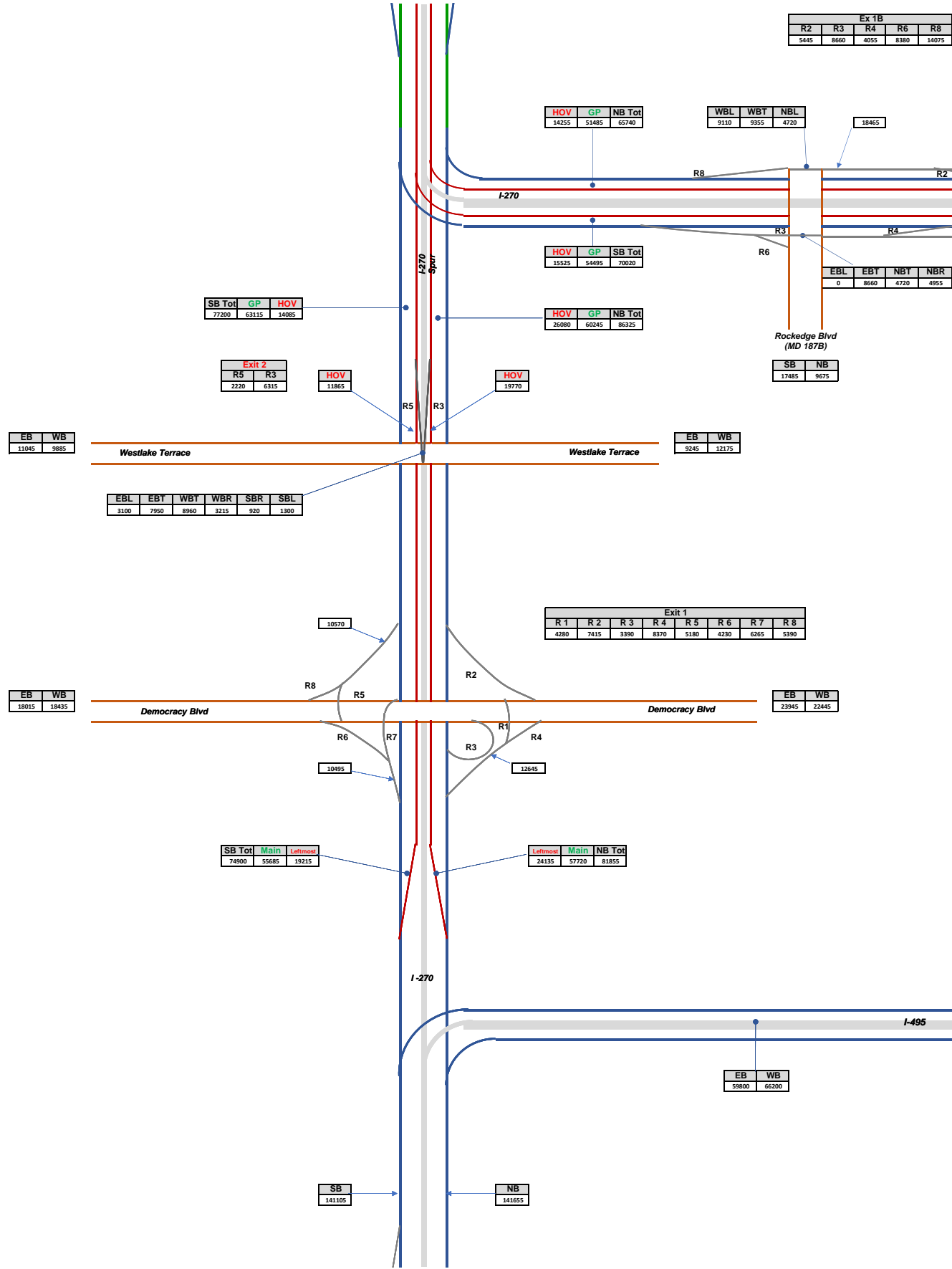
2045 No-Build ADT Volume Diagram



2045 No-Build ADT Volume Diagram



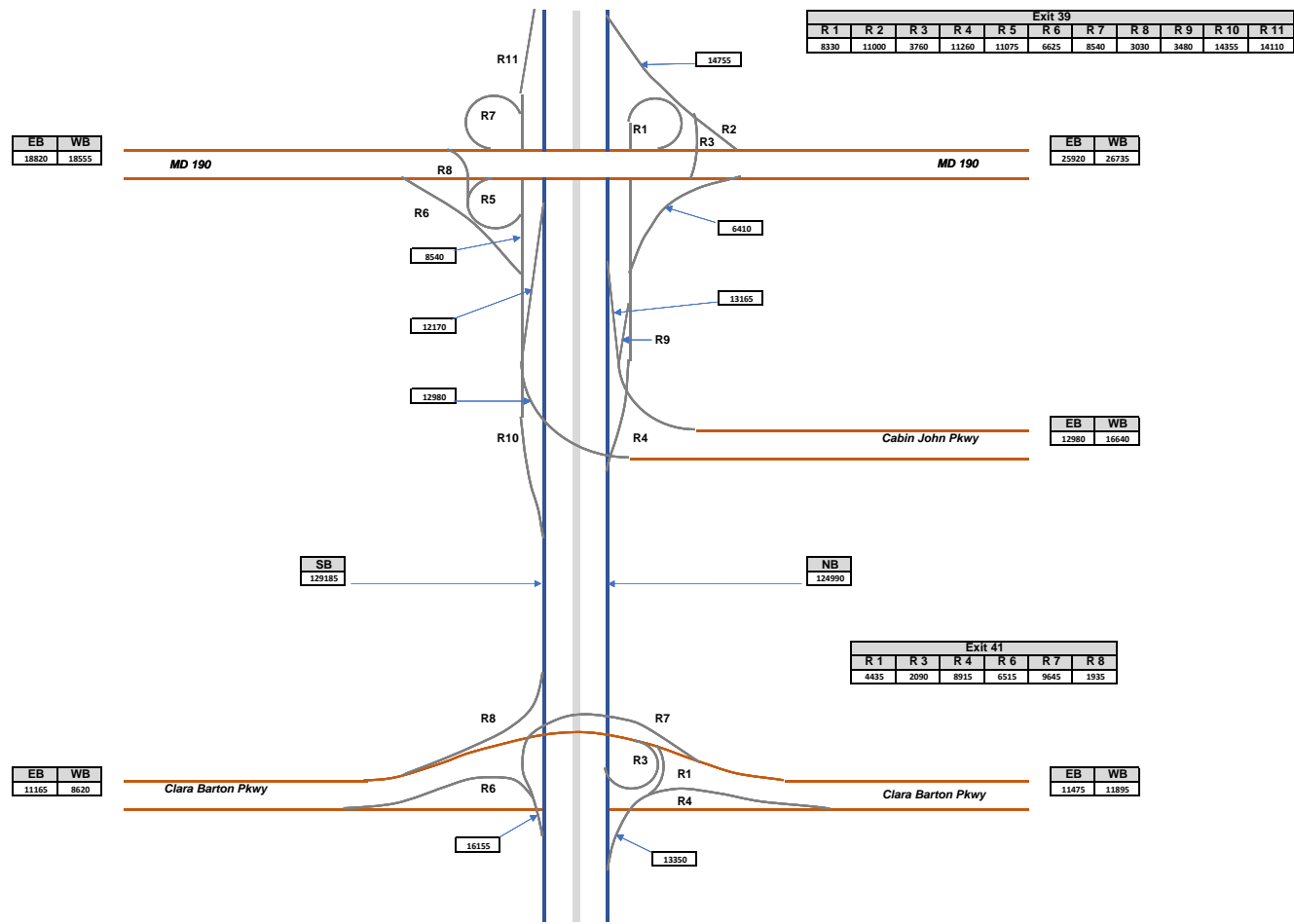
2045 No-Build ADT Volume Diagram



2045 No-Build ADT Volume Diagram



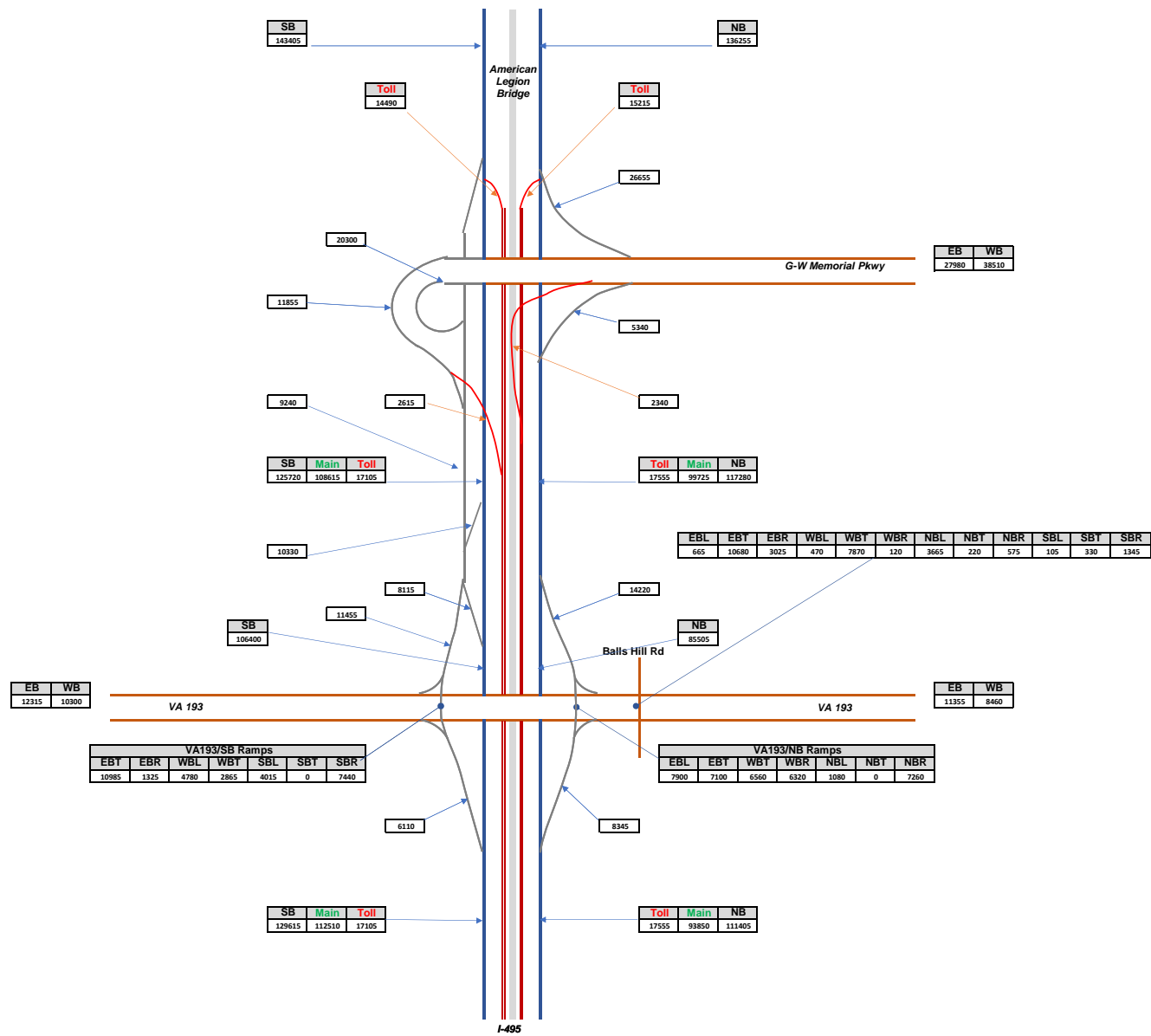
2045 No-Build ADT Volume Diagram



2045 No-Build ADT Volume Diagram



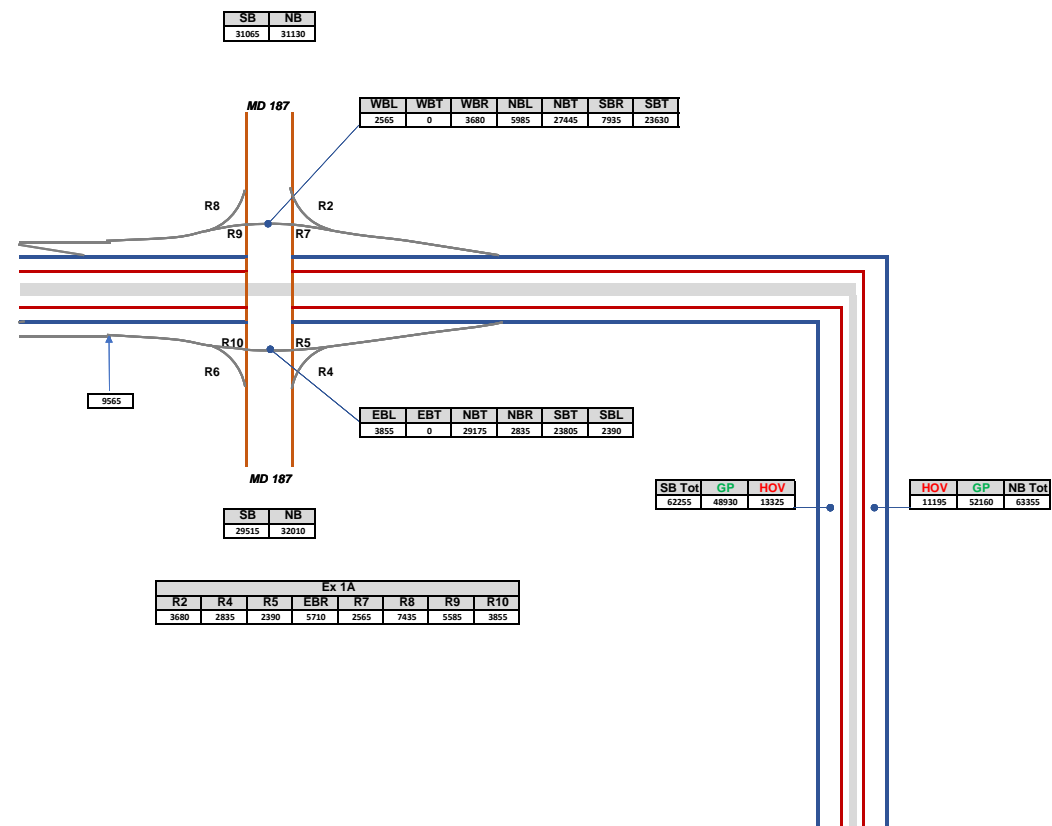
2045 No-Build ADT Volume Diagram



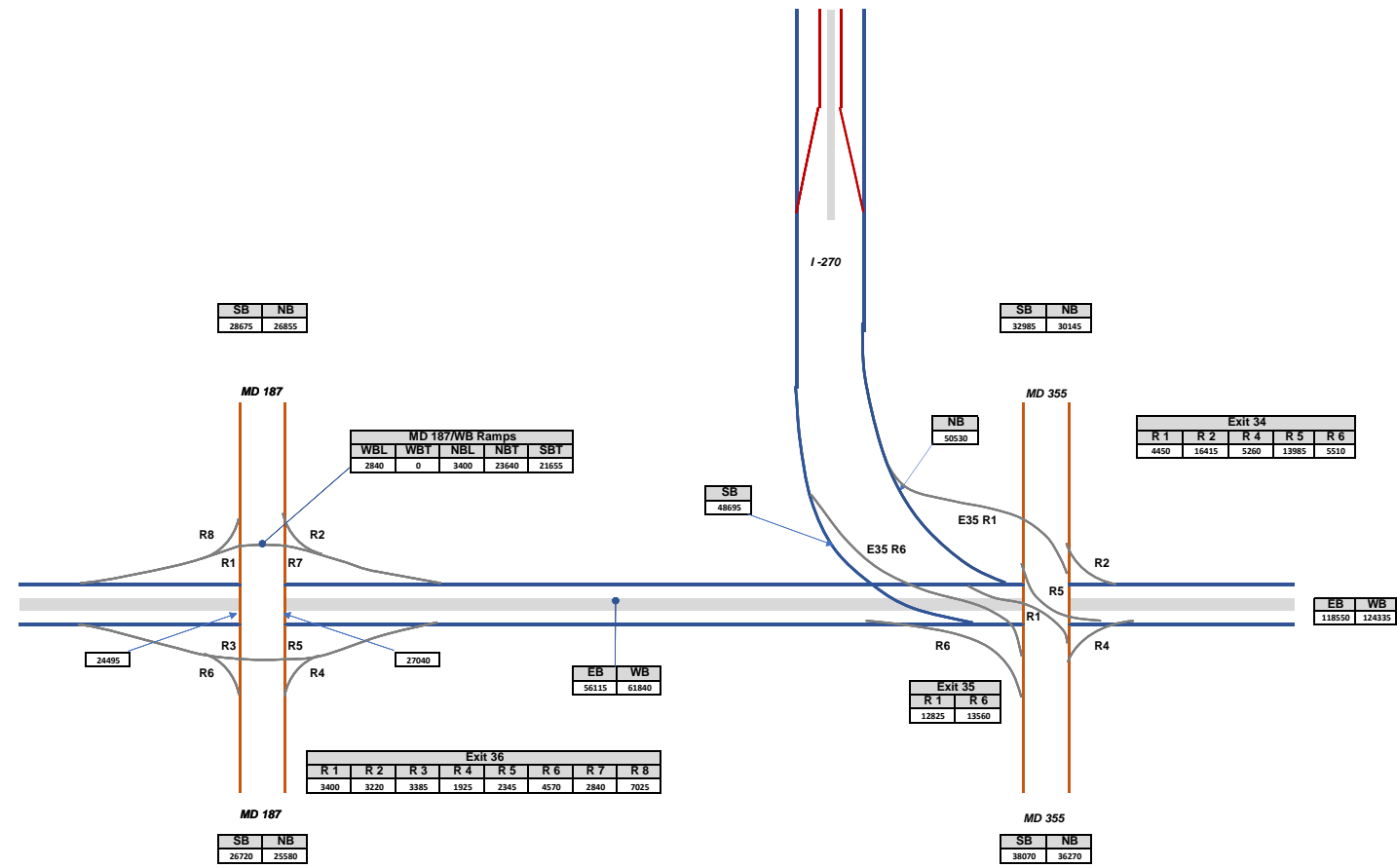
2045 No-Build ADT Volume Diagram



2045 No-Build ADT Volume Diagram



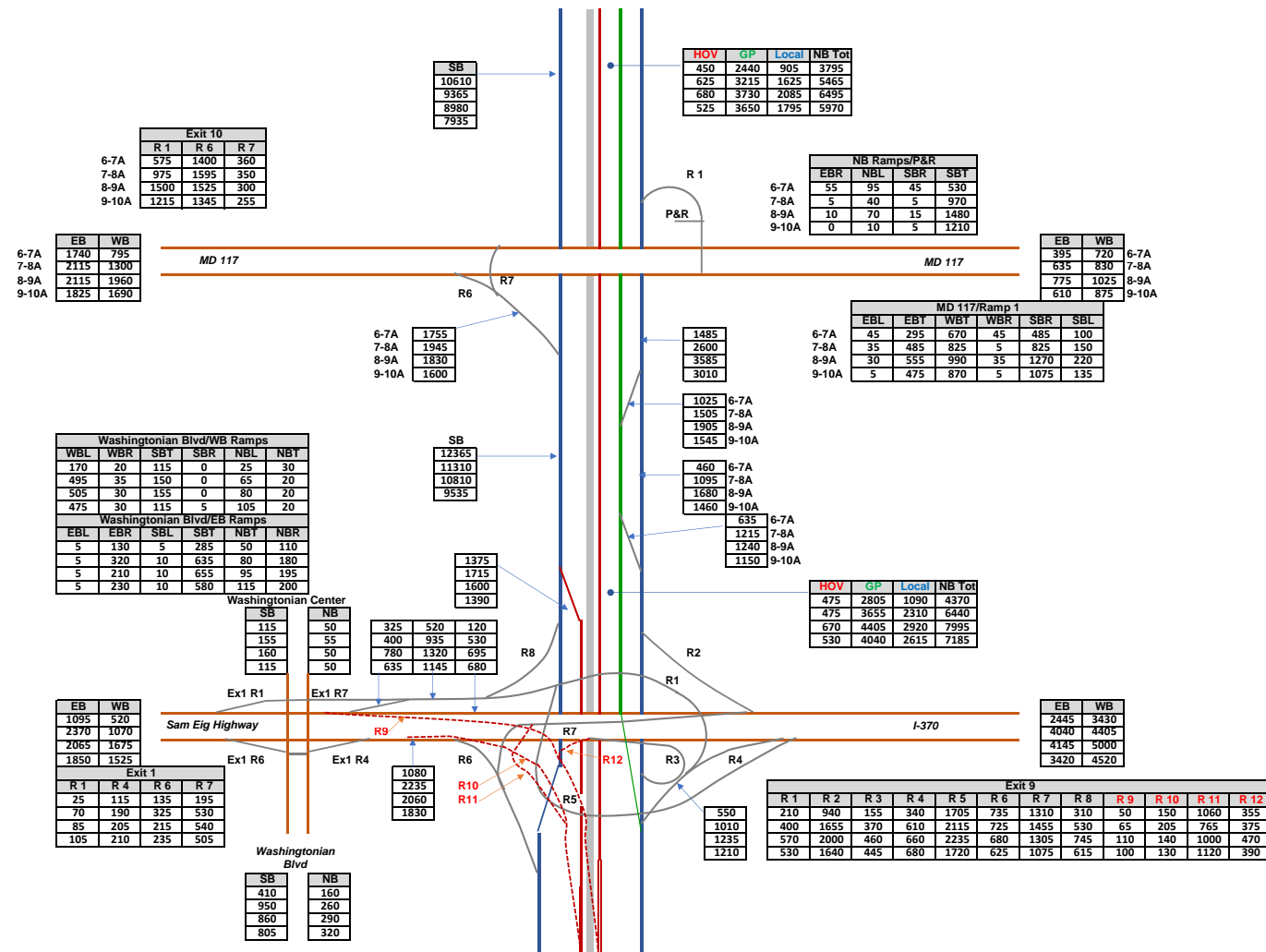
2045 No-Build ADT Volume Diagram



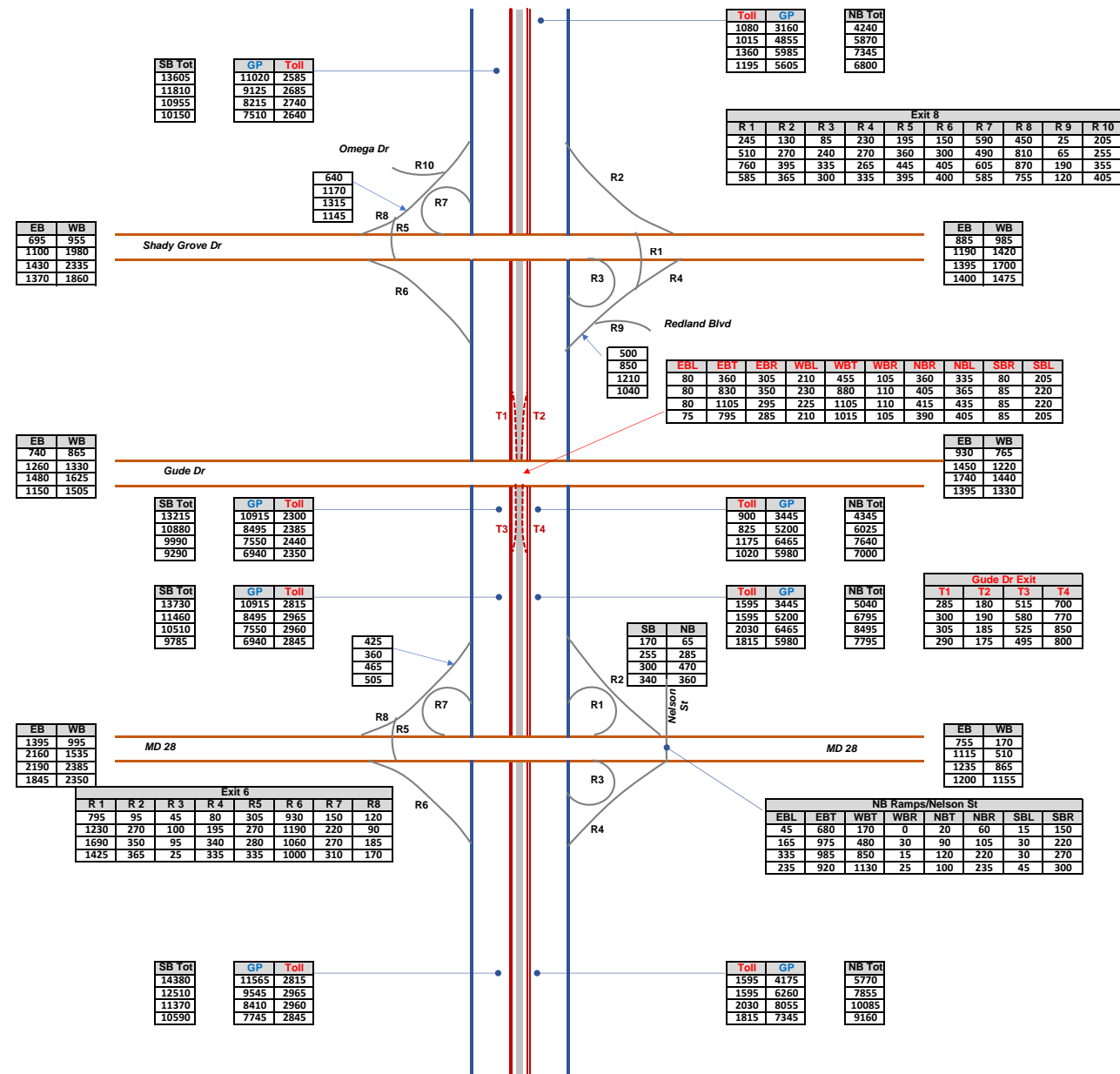
2045 No-Build ADT Volume Diagram



2045 Preferred Alternative Hourly AM Volume Diagram



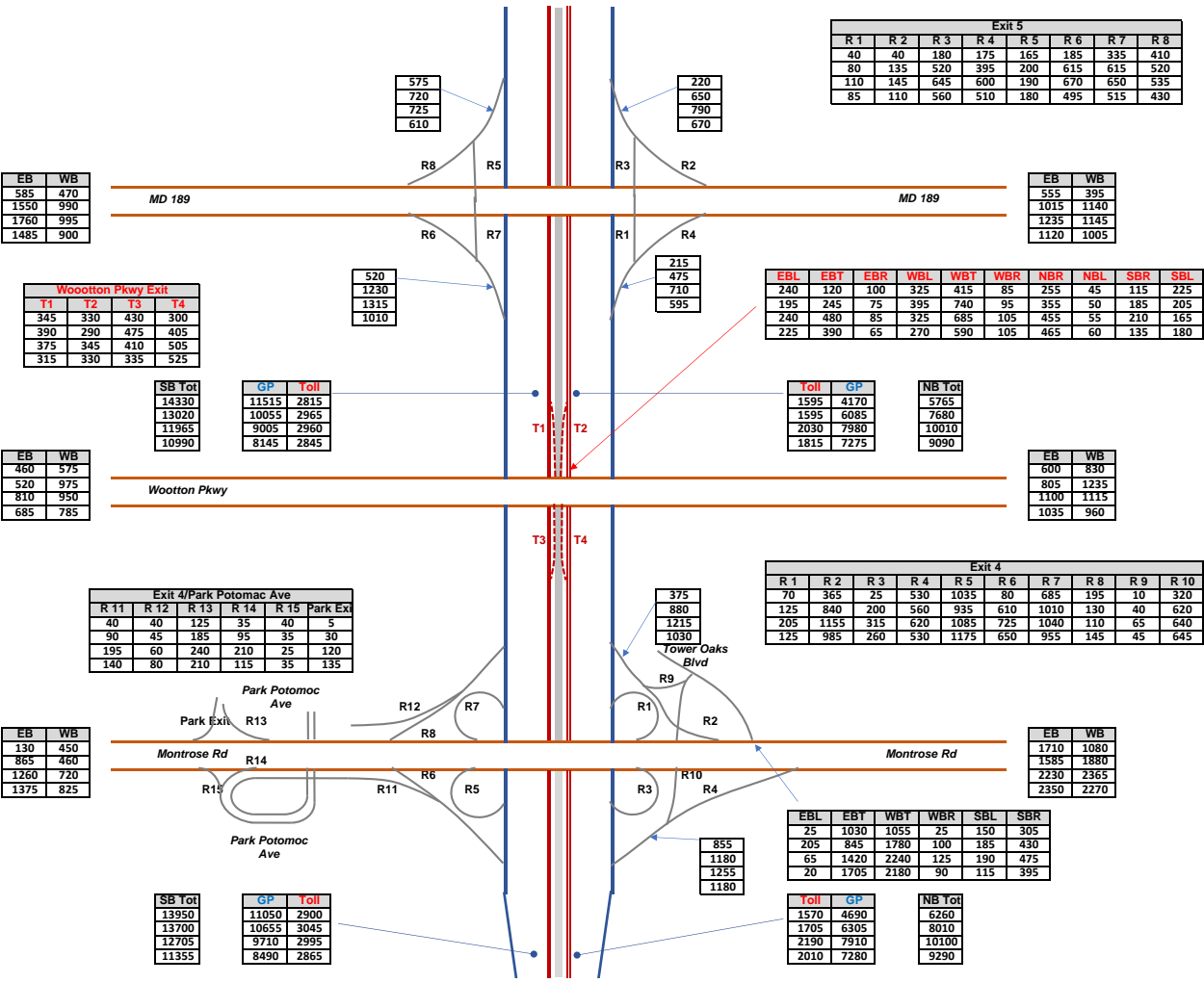
2045 Preferred Alternative Hourly AM Volume Diagram



2045 Preferred Alternative Hourly AM Volume Diagram



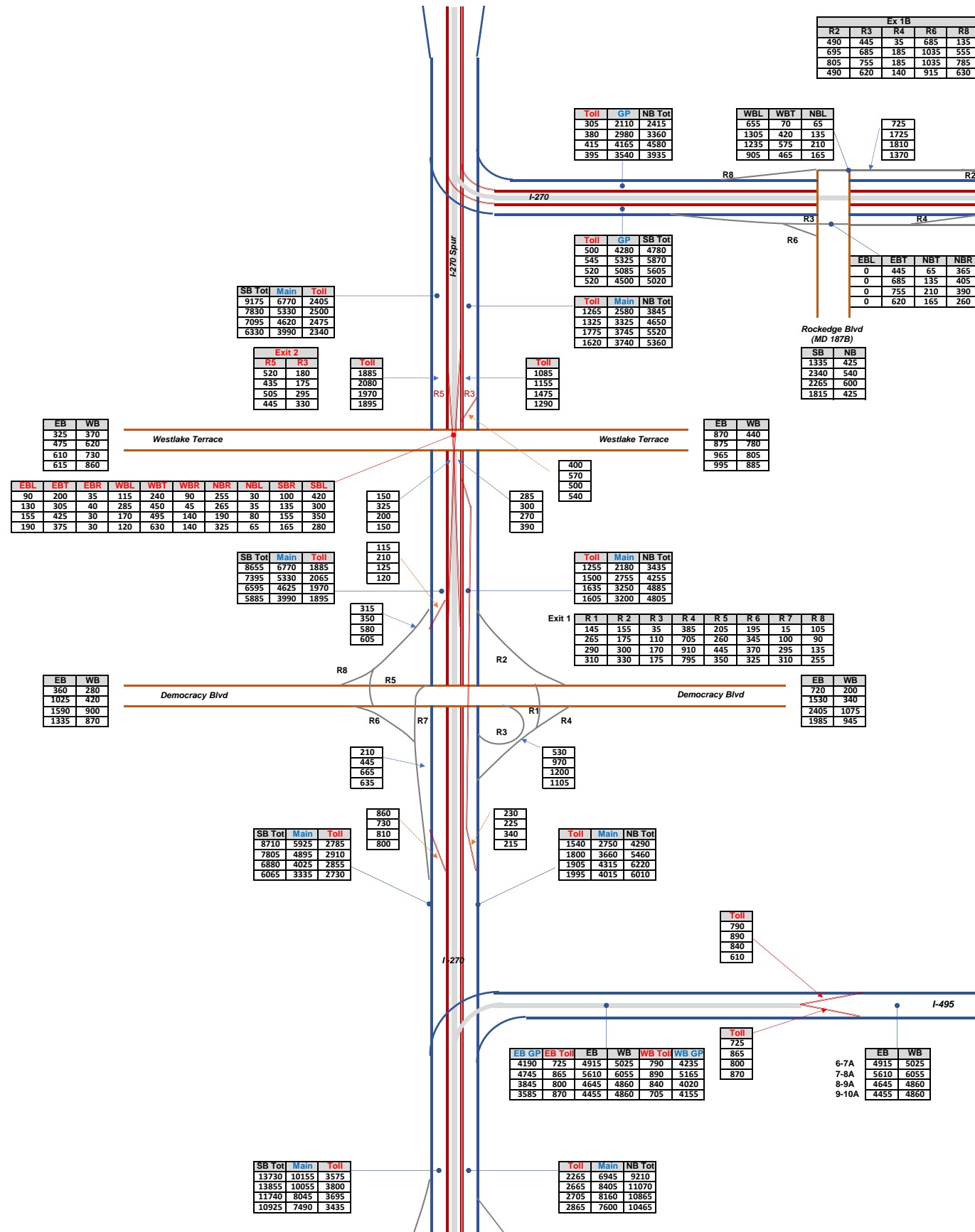
2045 Preferred Alternative Hourly AM Volume Diagram



2045 Preferred Alternative Hourly AM Volume Diagram



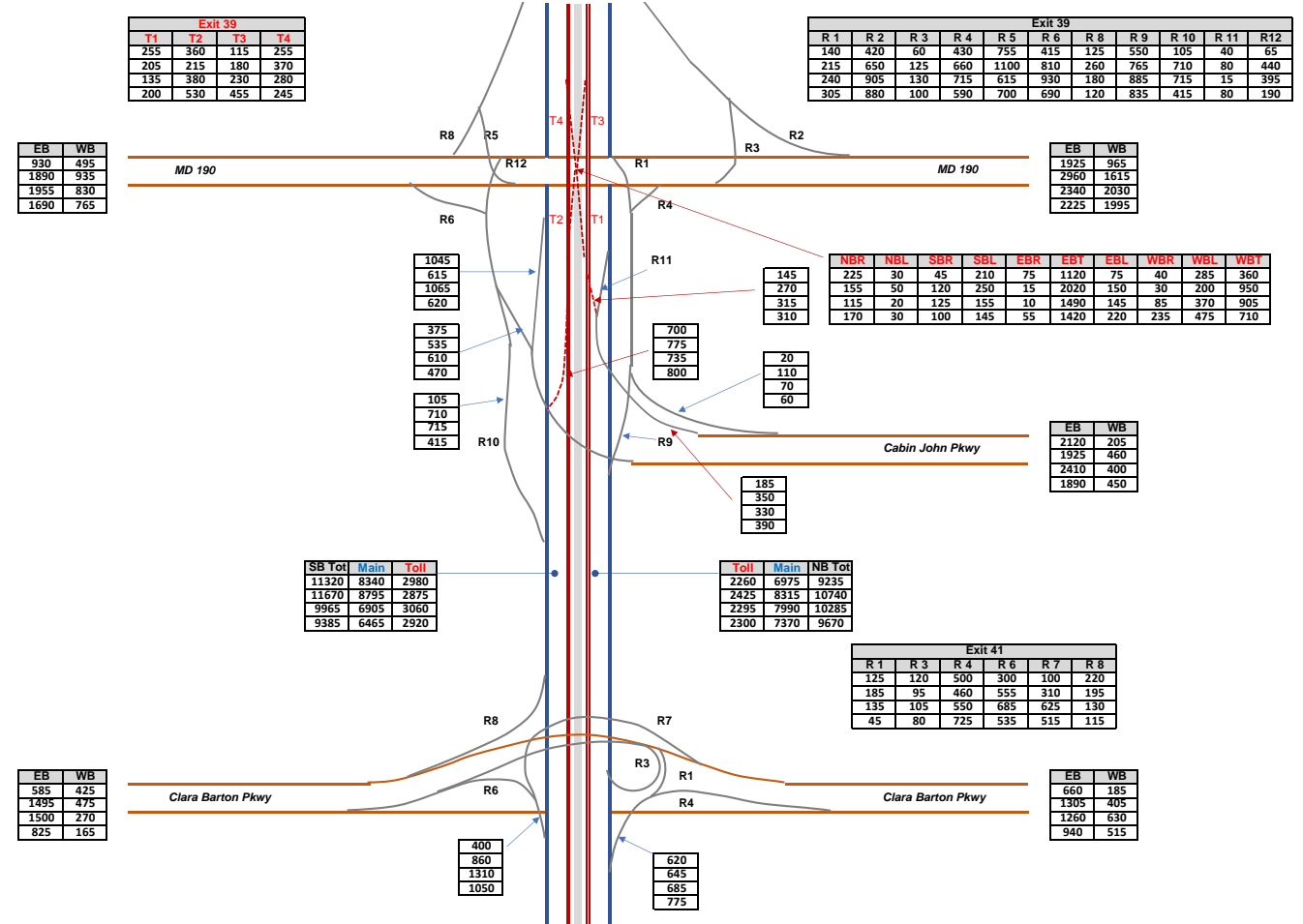
2045 Preferred Alternative Hourly AM Volume Diagram



2045 Preferred Alternative Hourly AM Volume Diagram



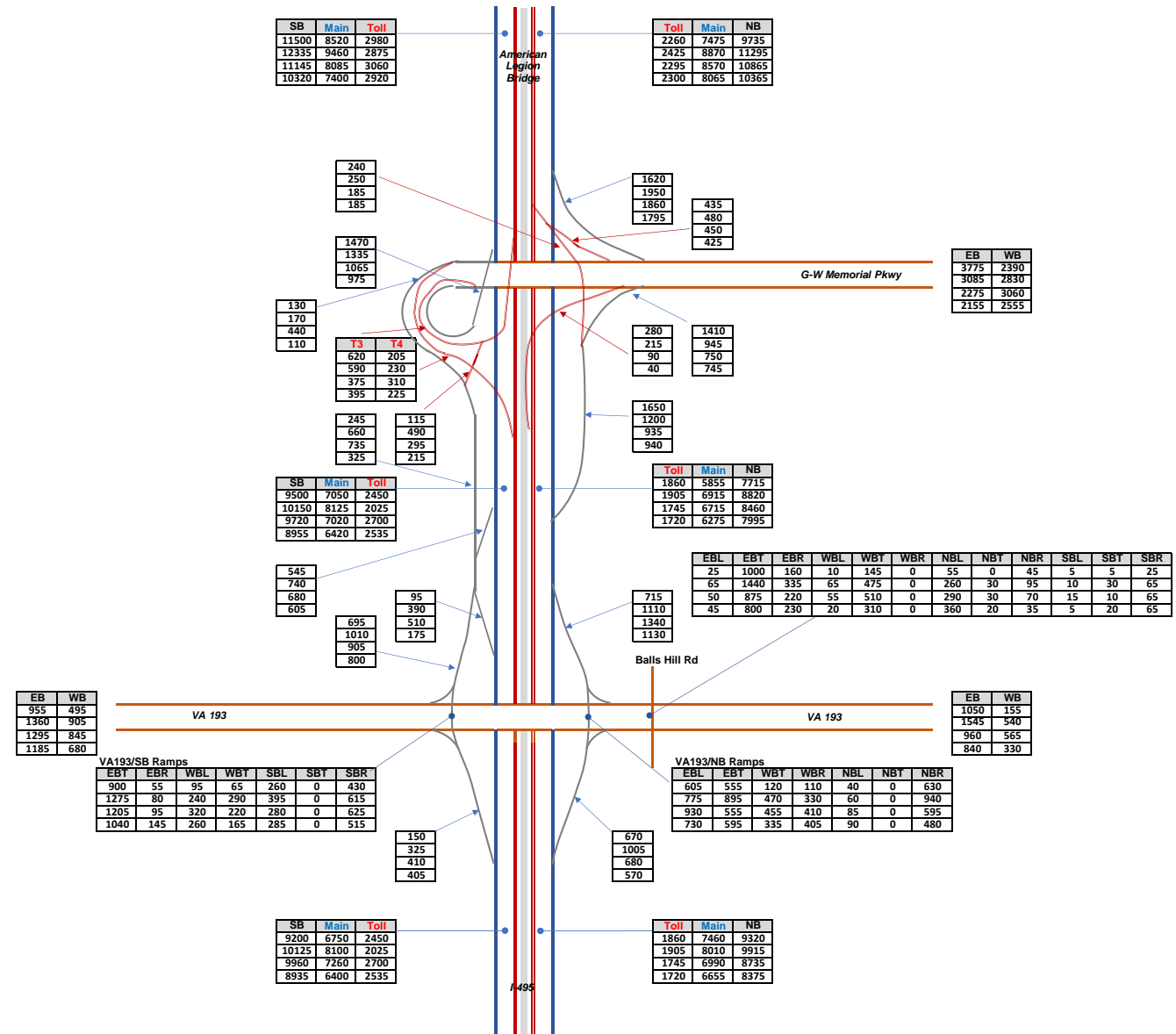
2045 Preferred Alternative Hourly AM Volume Diagram



2045 Preferred Alternative Hourly AM Volume Diagram



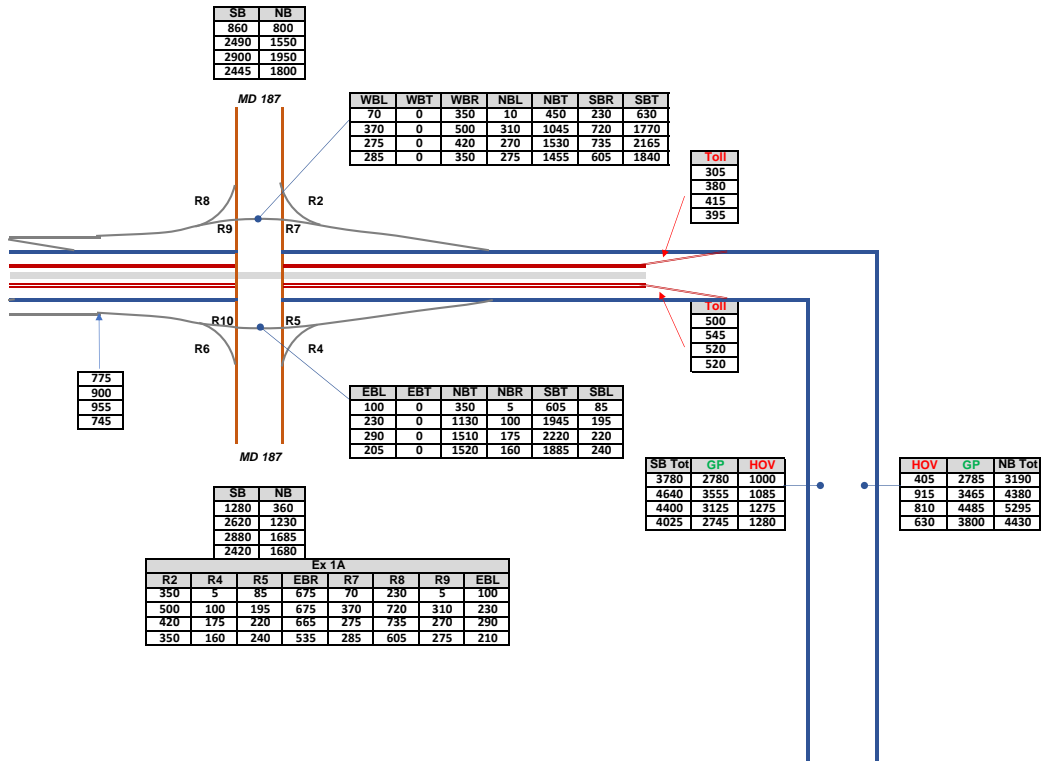
2045 Preferred Alternative Hourly AM Volume Diagram



2045 Preferred Alternative Hourly AM Volume Diagram



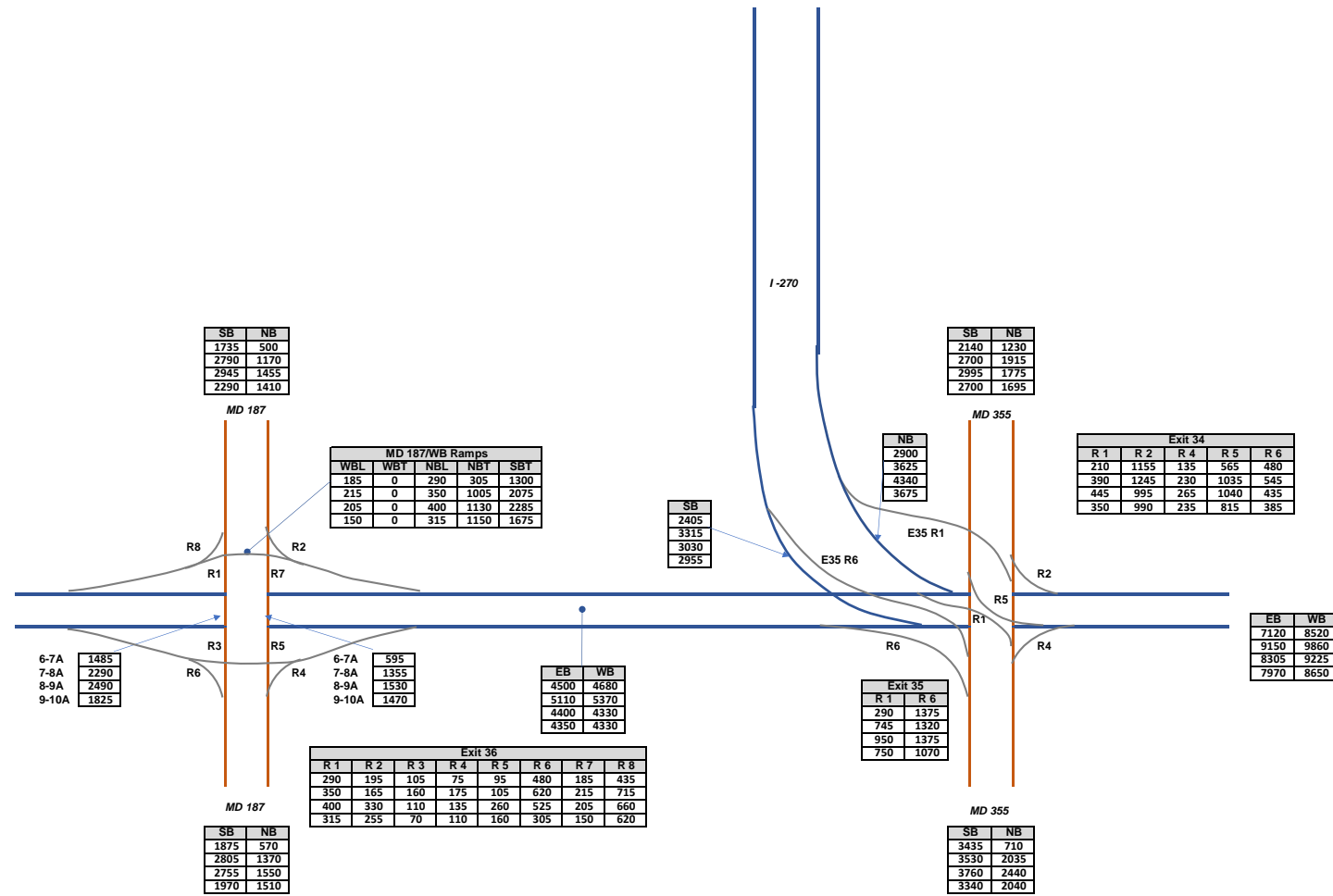
2045 Preferred Alternative Hourly AM Volume Diagram



2045 Preferred Alternative Hourly AM Volume Diagram



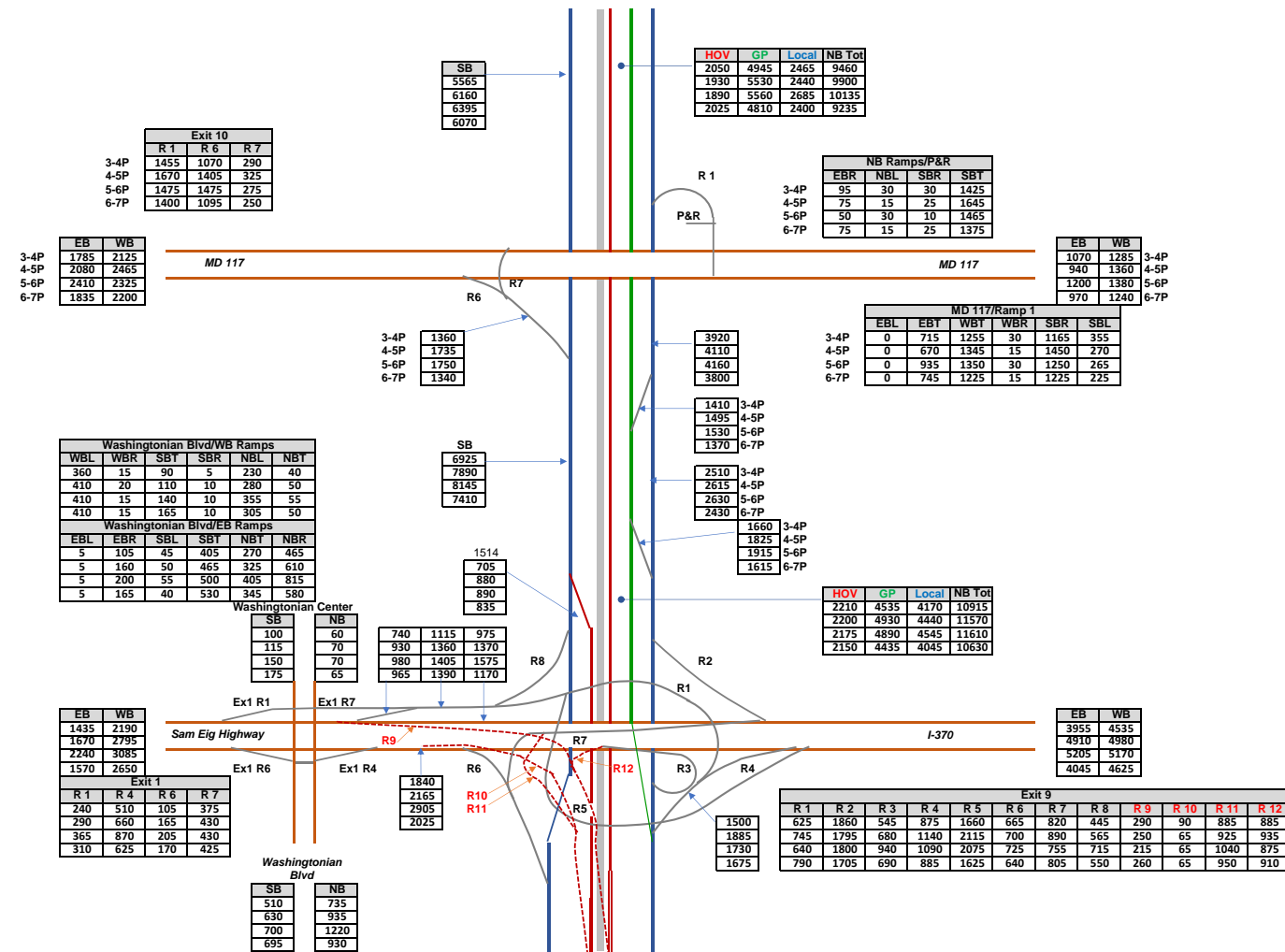
2045 Preferred Alternative Hourly AM Volume Diagram



2045 Preferred Alternative Hourly AM Volume Diagram



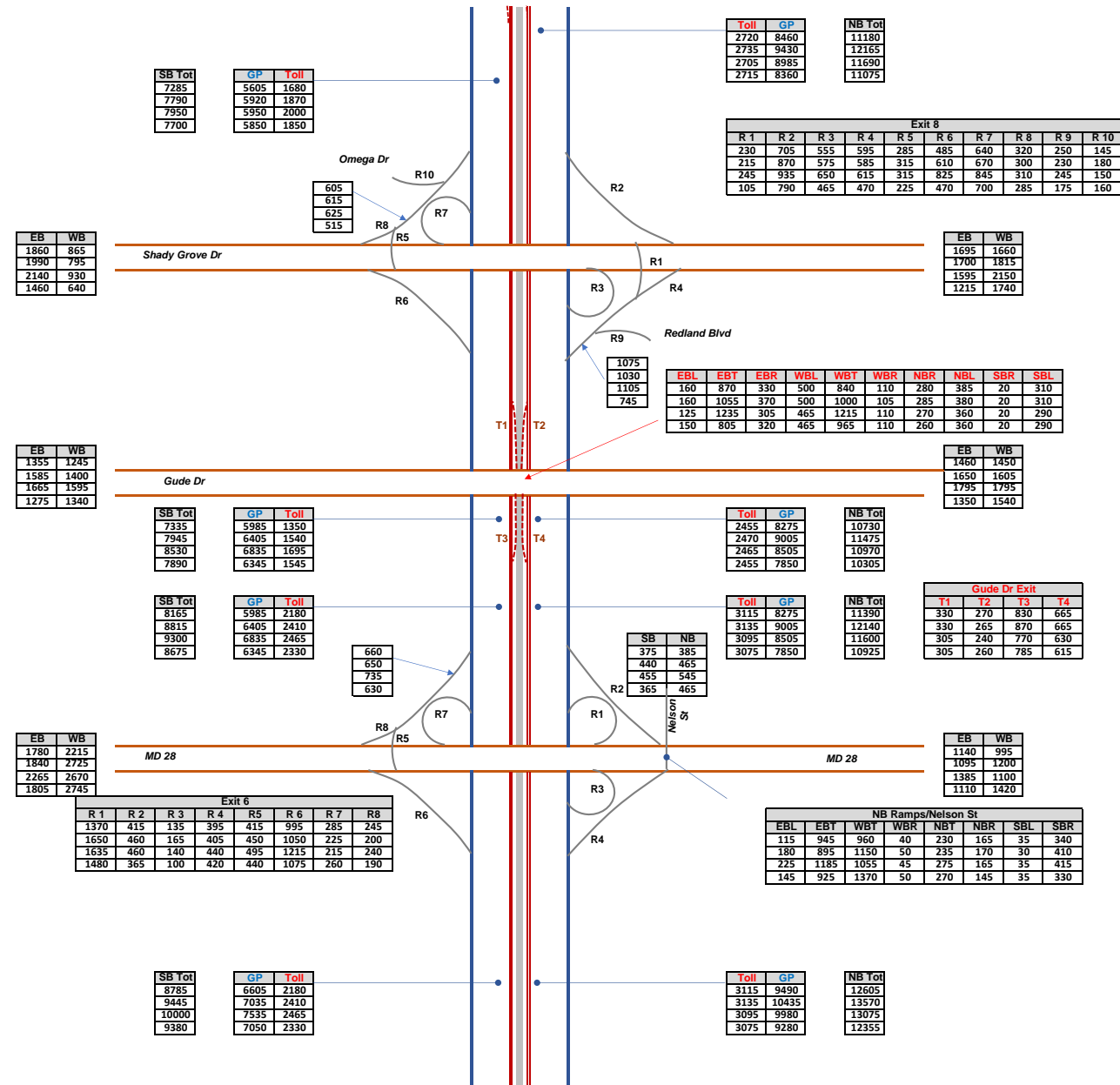
2045 Preferred Alternative Hourly PM Volume Diagram



2045 Preferred Alternative Hourly PM Volume Diagram



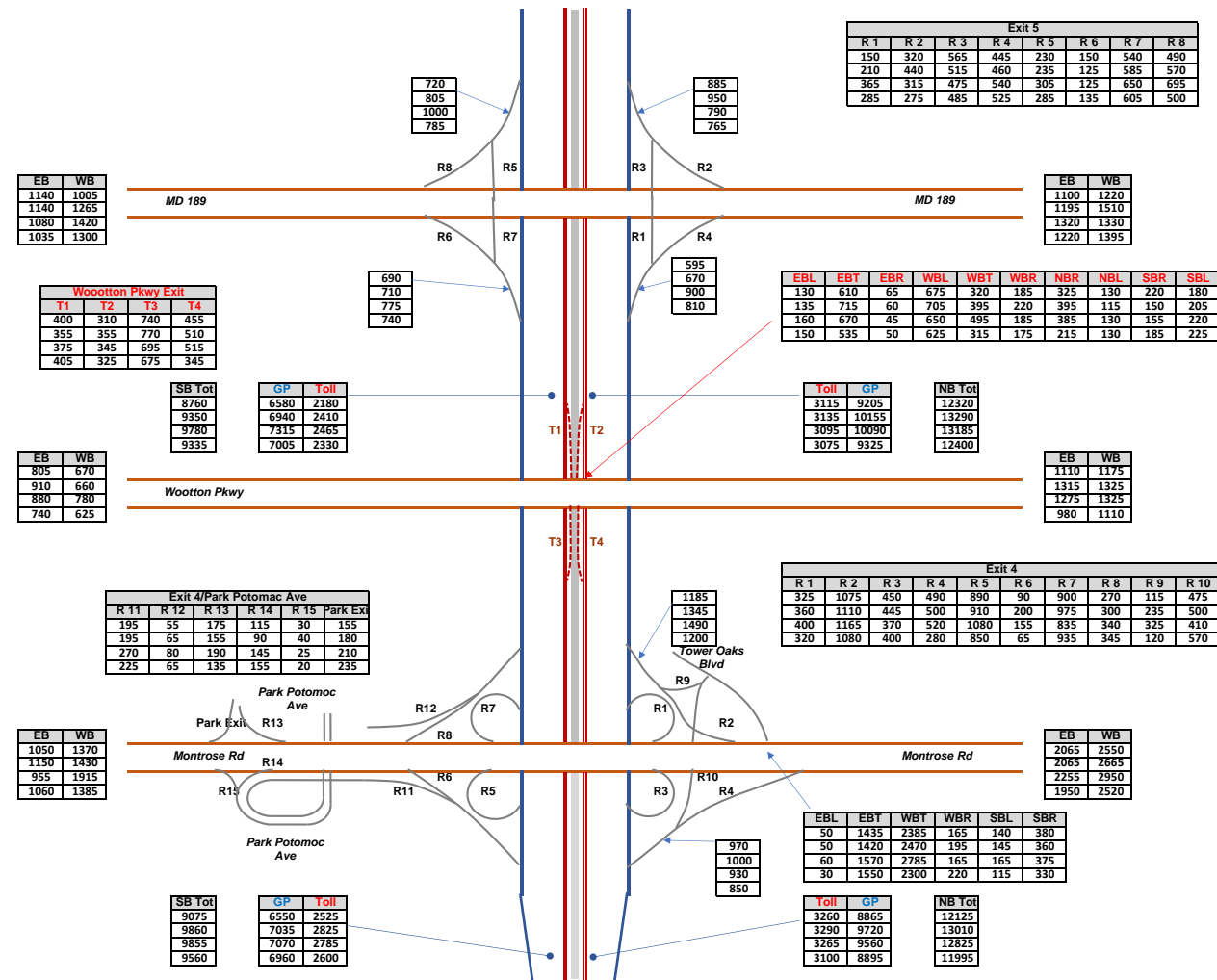
2045 Preferred Alternative Hourly PM Volume Diagram



2045 Preferred Alternative Hourly PM Volume Diagram



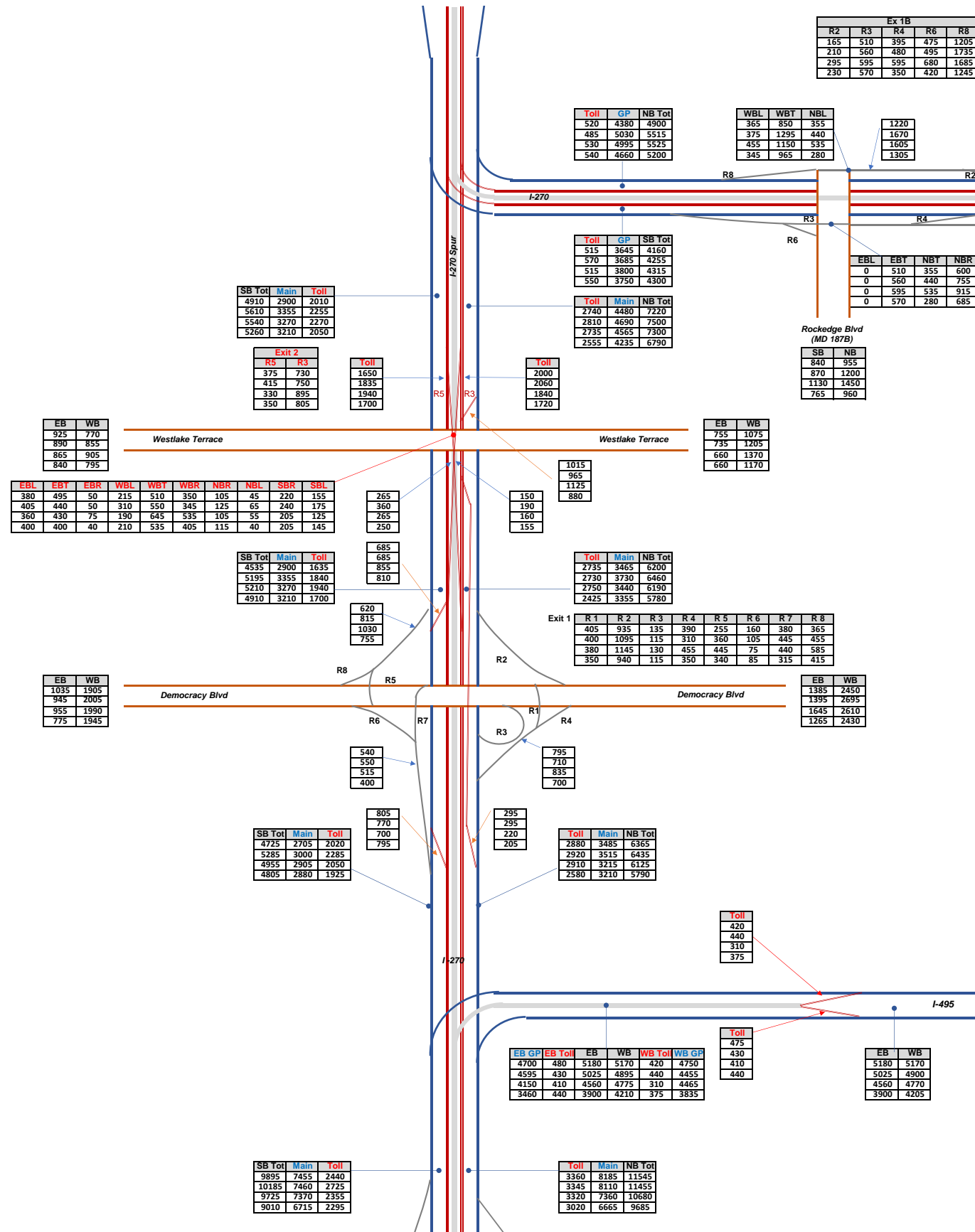
2045 Preferred Alternative Hourly PM Volume Diagram



2045 Preferred Alternative Hourly PM Volume Diagram



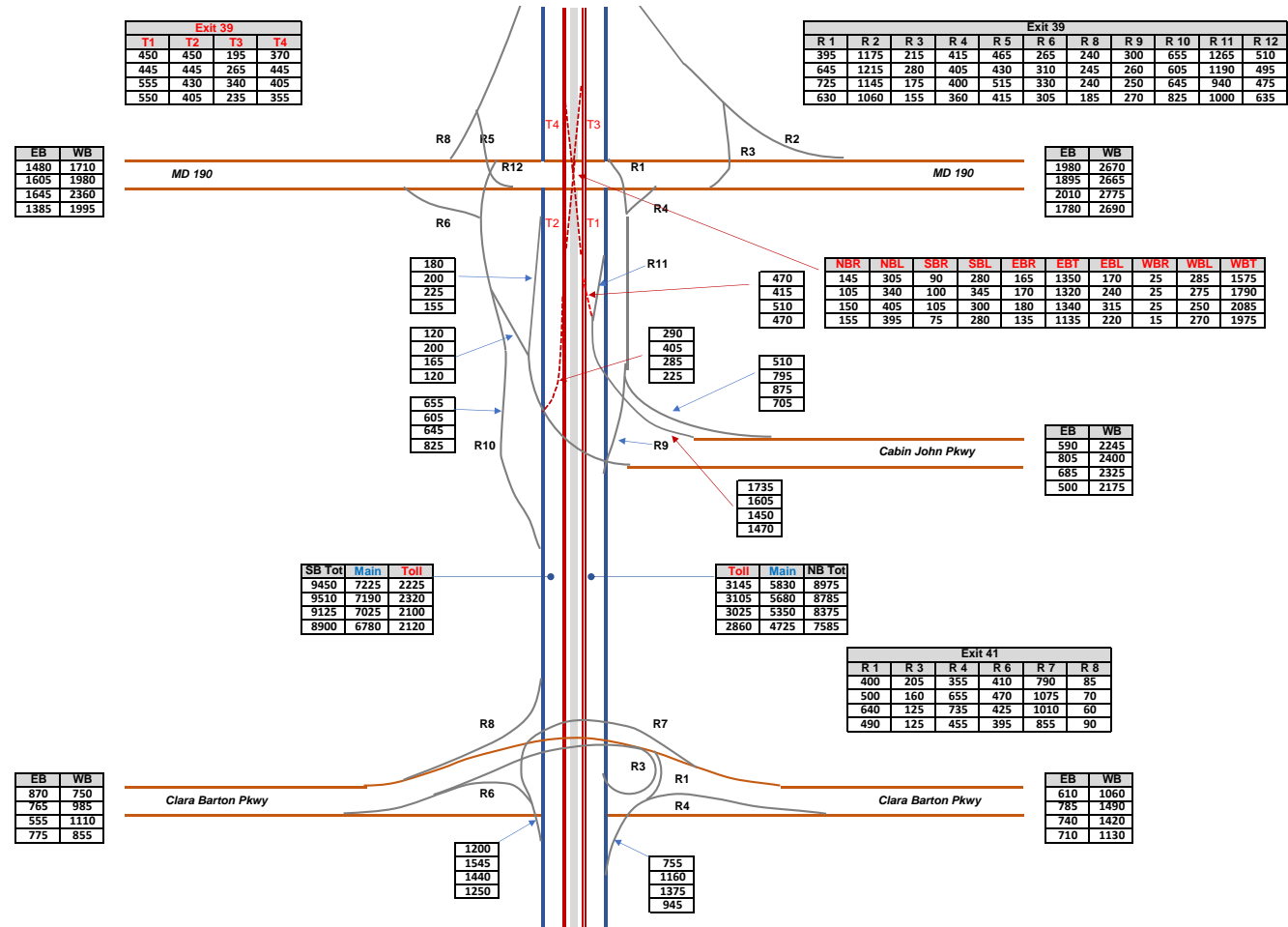
2045 Preferred Alternative Hourly PM Volume Diagram



2045 Preferred Alternative Hourly PM Volume Diagram



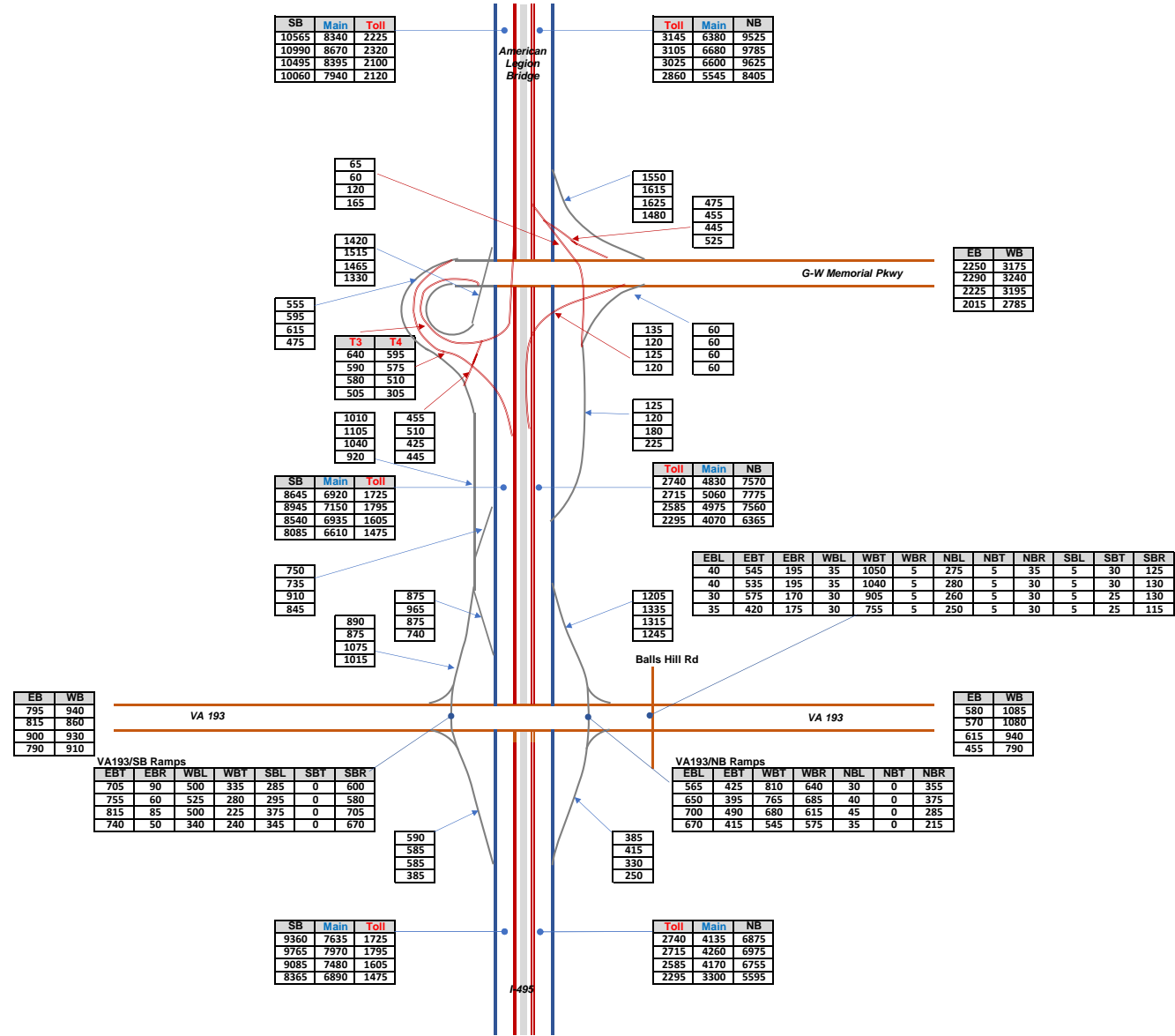
2045 Preferred Alternative Hourly PM Volume Diagram



2045 Preferred Alternative Hourly PM Volume Diagram



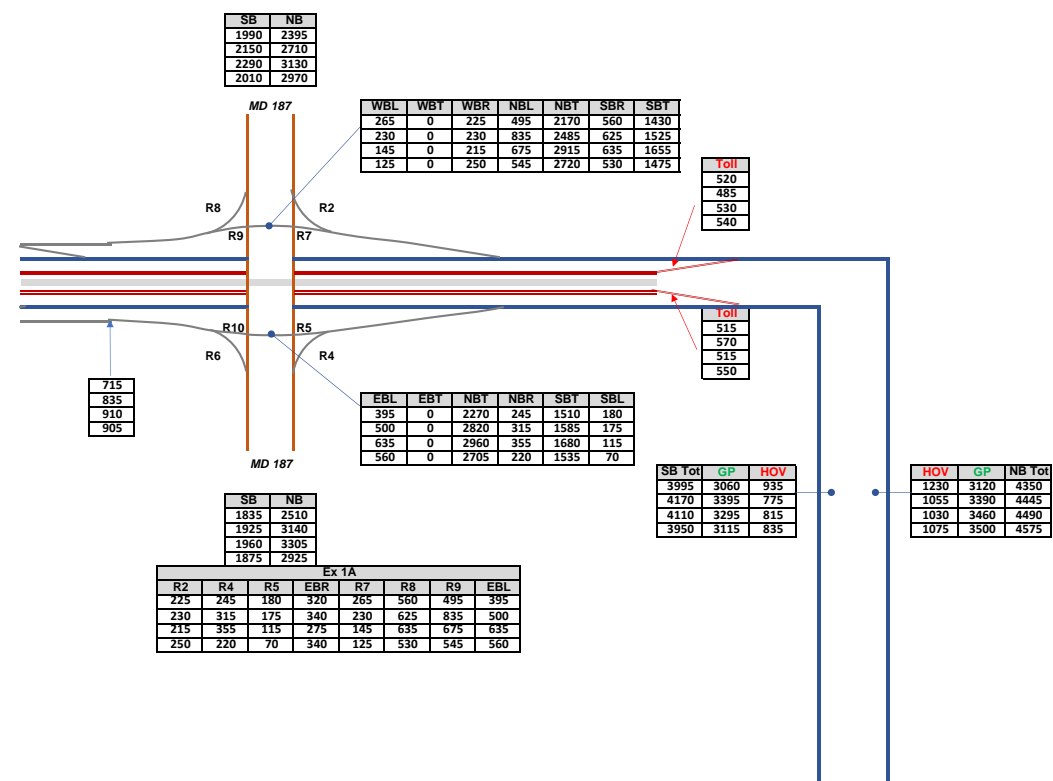
2045 Preferred Alternative Hourly PM Volume Diagram



2045 Preferred Alternative Hourly PM Volume Diagram



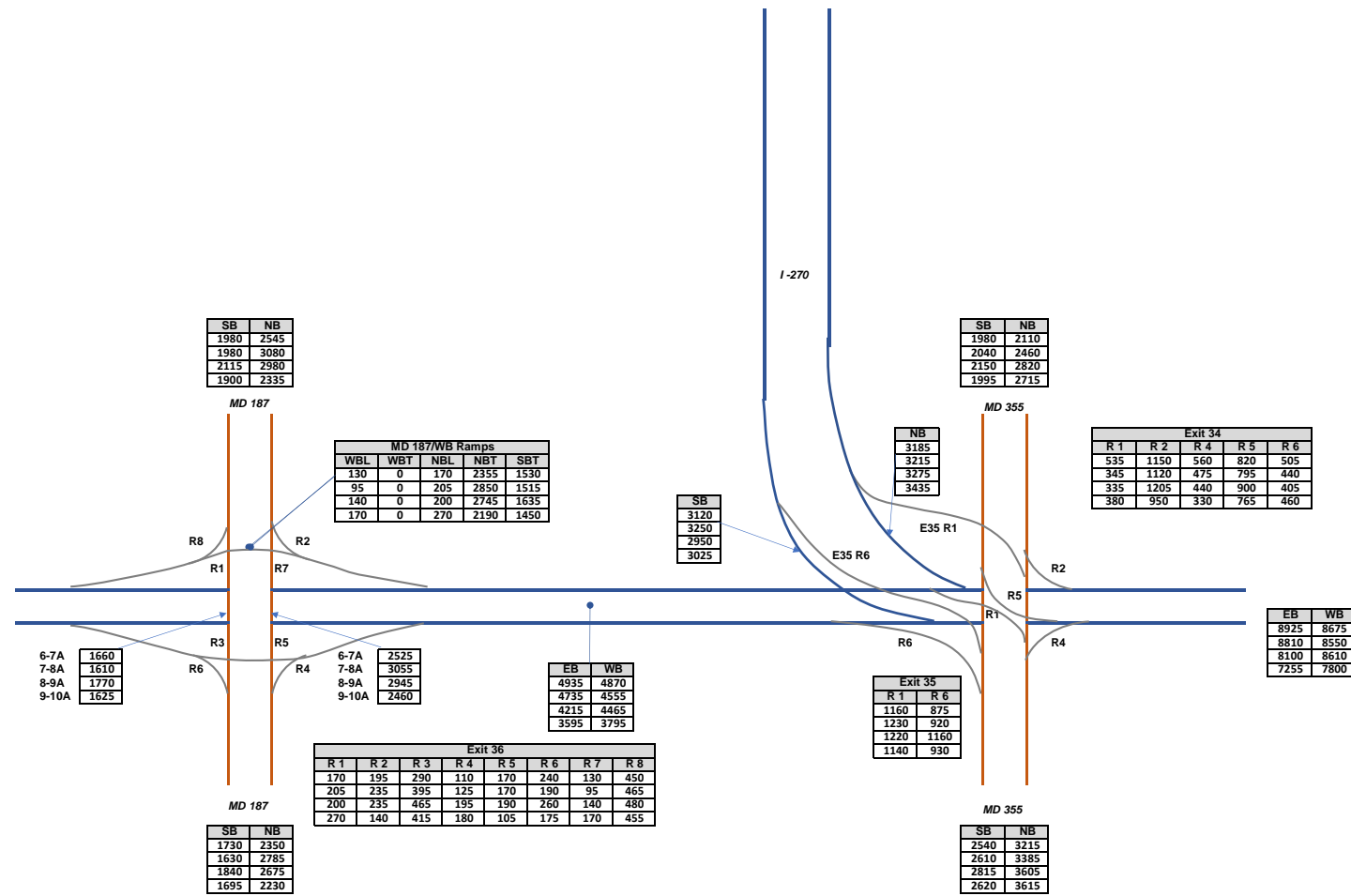
2045 Preferred Alternative Hourly PM Volume Diagram



2045 Preferred Alternative Hourly PM Volume Diagram



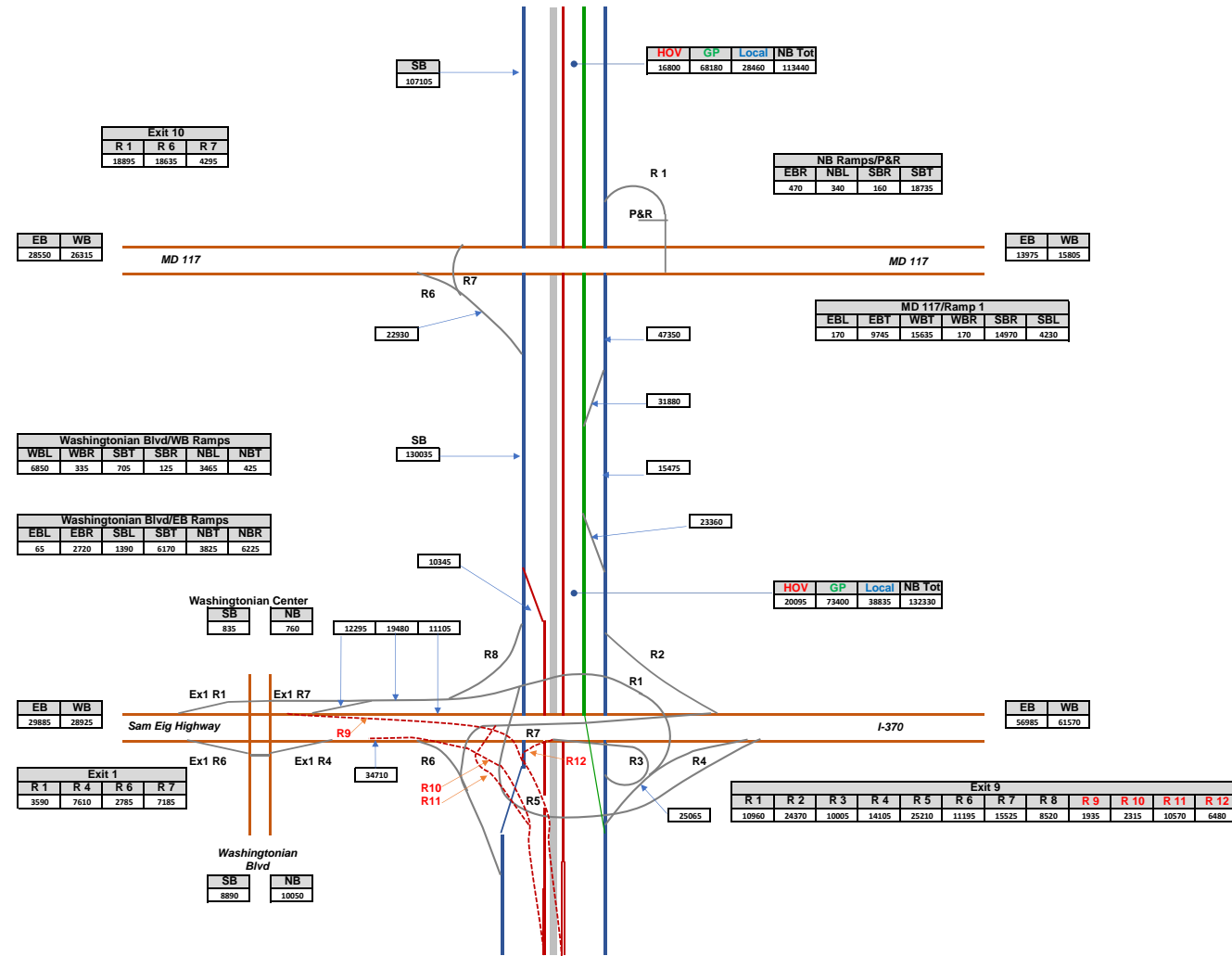
2045 Preferred Alternative Hourly PM Volume Diagram



2045 Preferred Alternative Hourly PM Volume Diagram



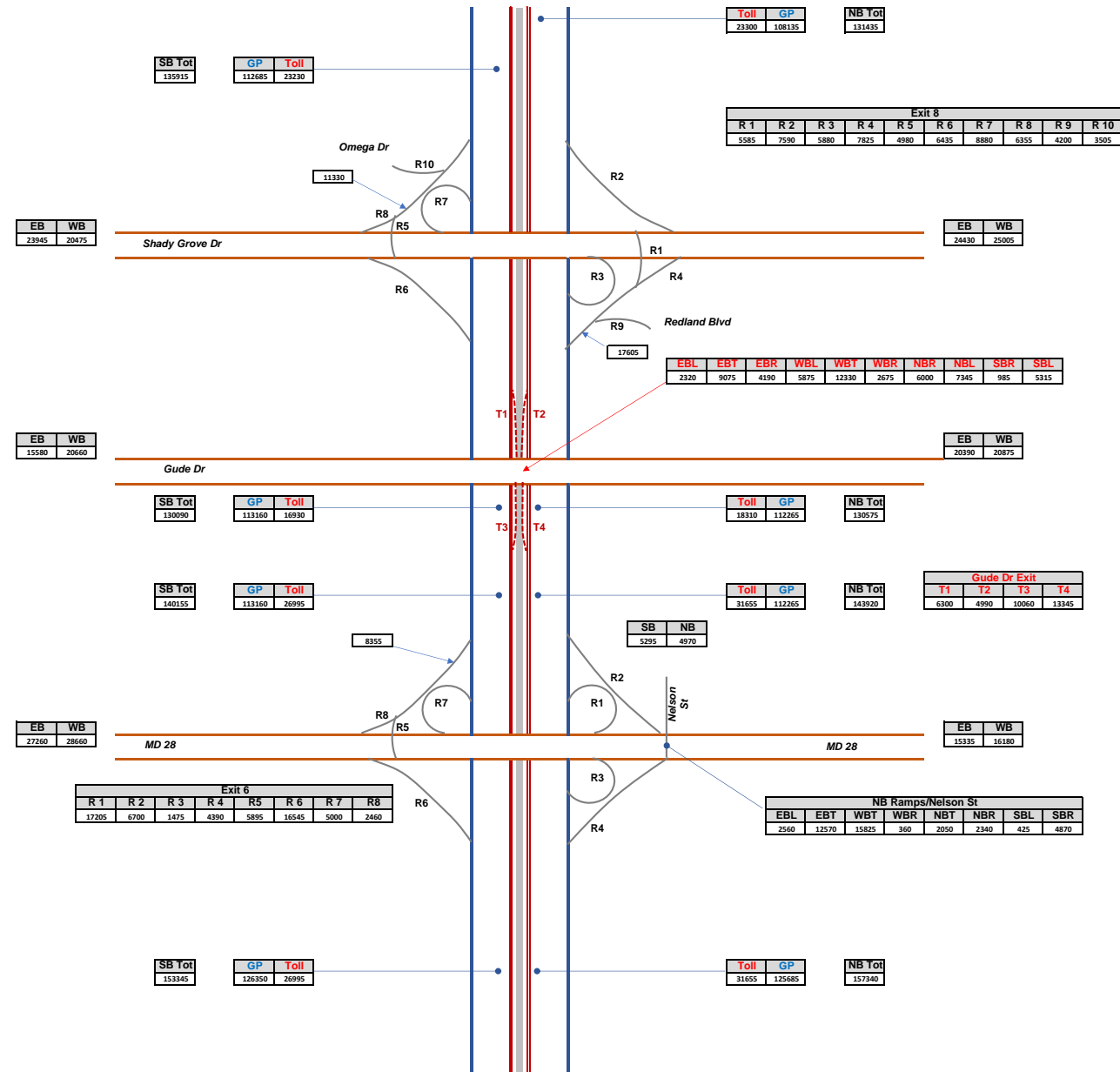
2045 Preferred Alternative ADT Volume Diagram



2045 Preferred Alternative ADT Volume Diagram



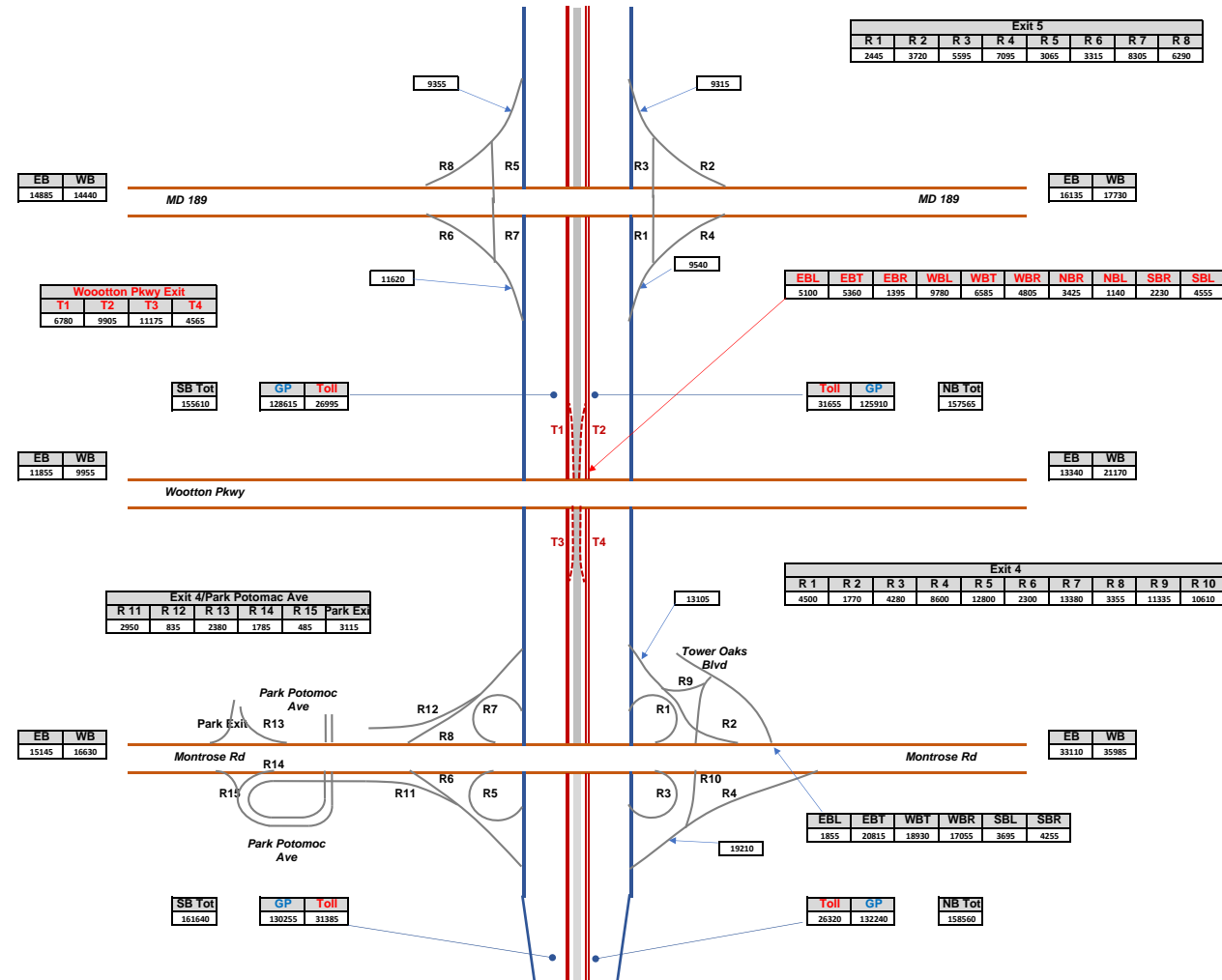
2045 Preferred Alternative ADT Volume Diagram



2045 Preferred Alternative ADT Volume Diagram



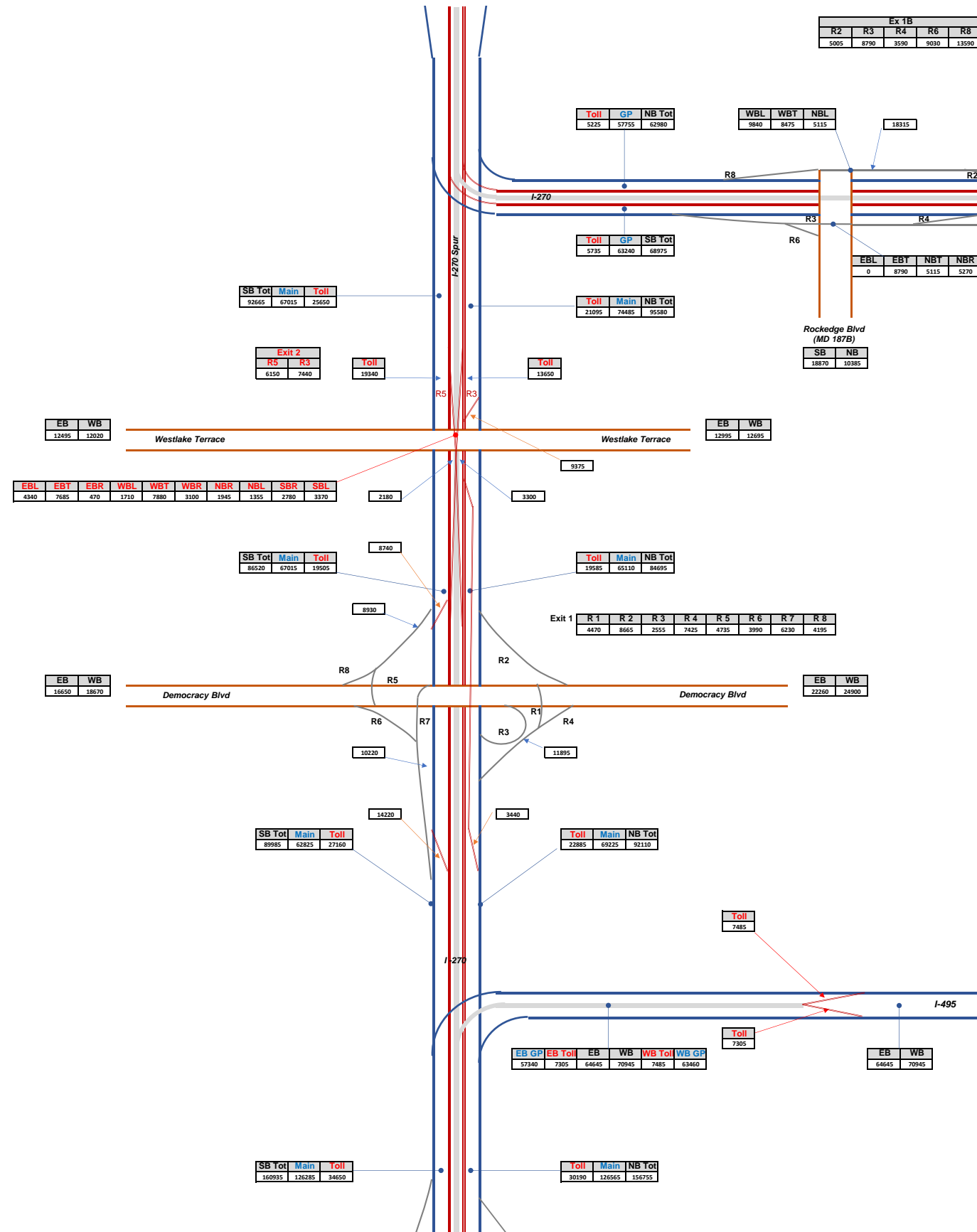
2045 Preferred Alternative ADT Volume Diagram



2045 Preferred Alternative ADT Volume Diagram



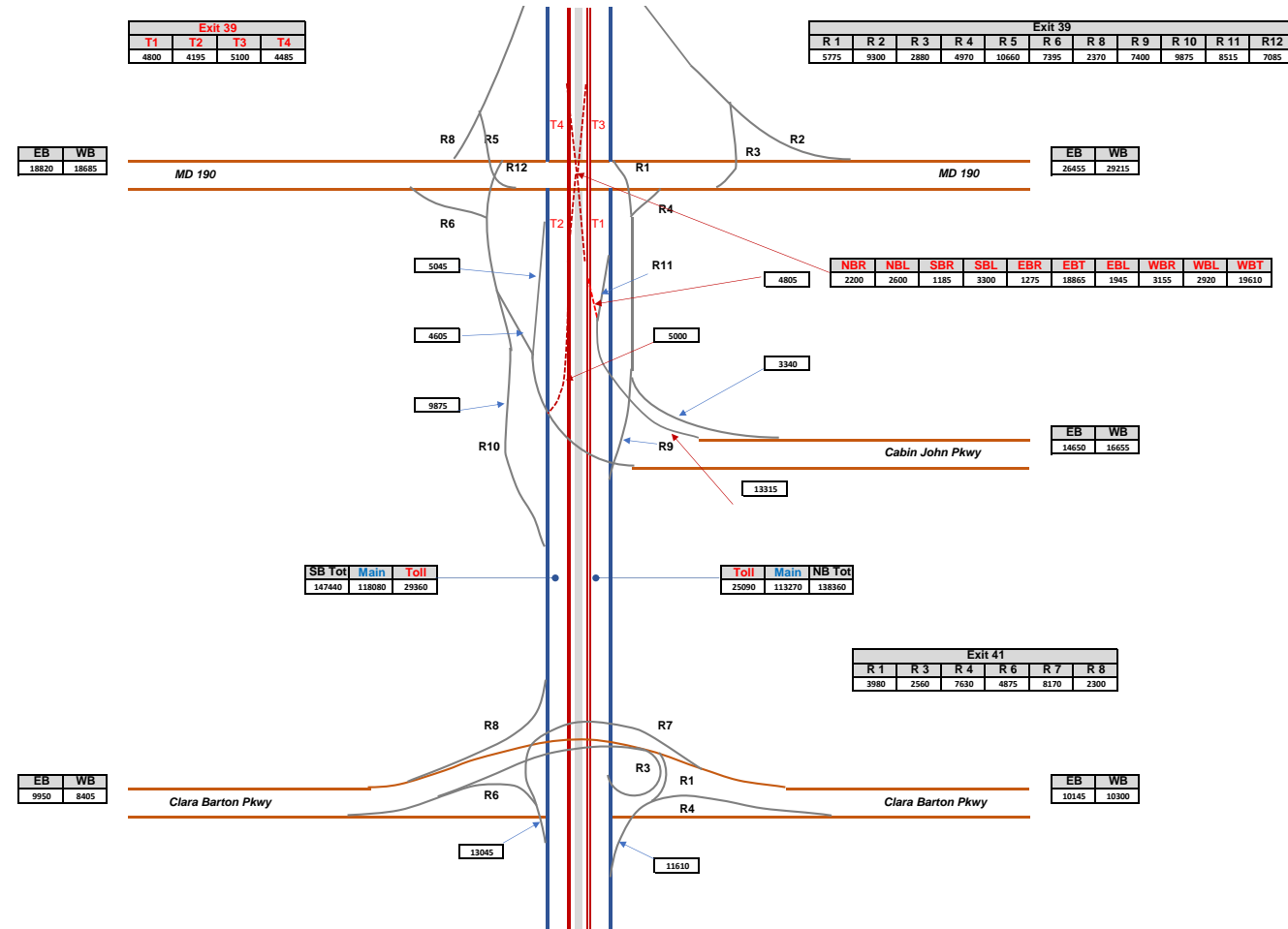
2045 Preferred Alternative ADT Volume Diagram



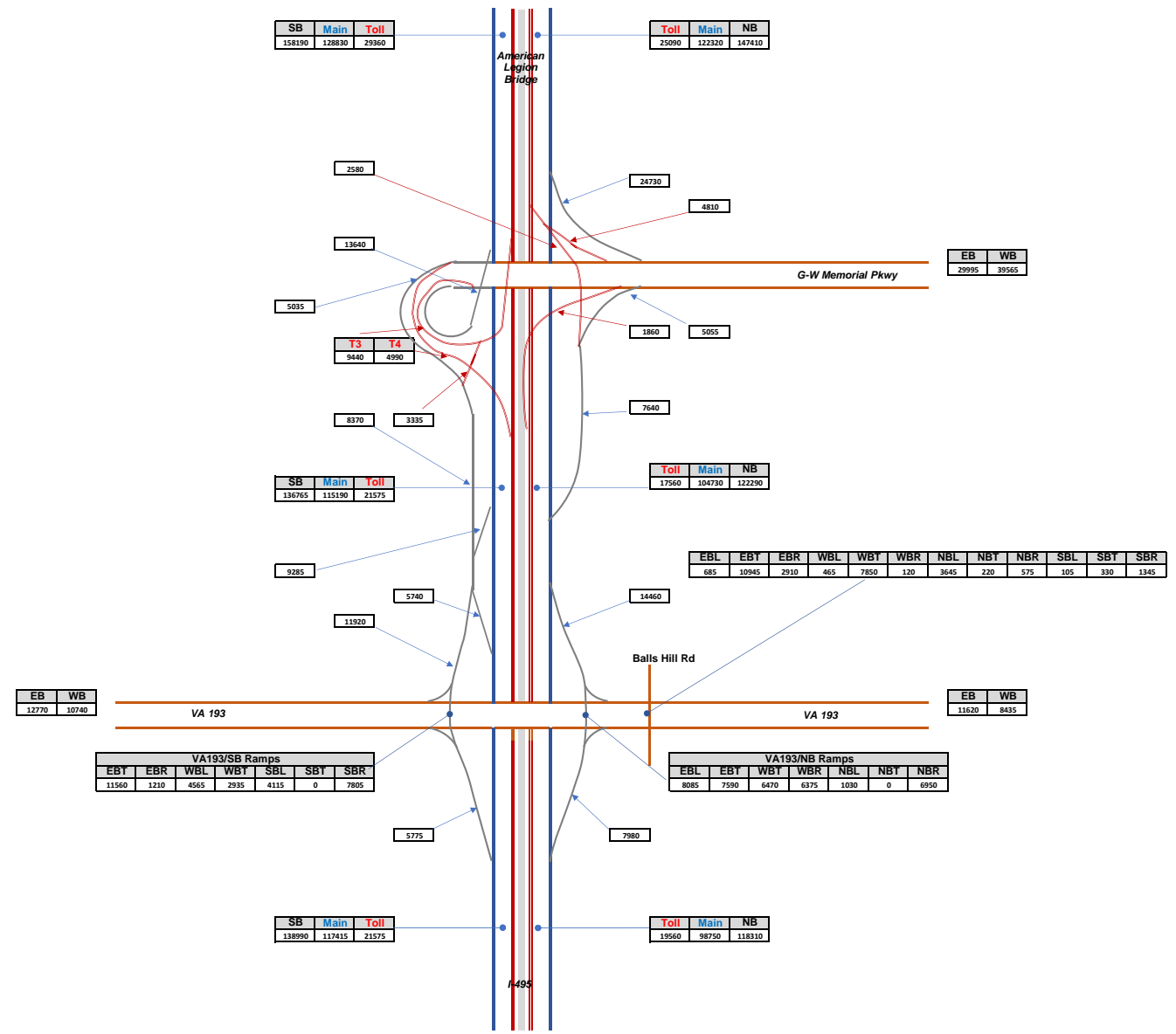
2045 Preferred Alternative ADT Volume Diagram



2045 Preferred Alternative ADT Volume Diagram



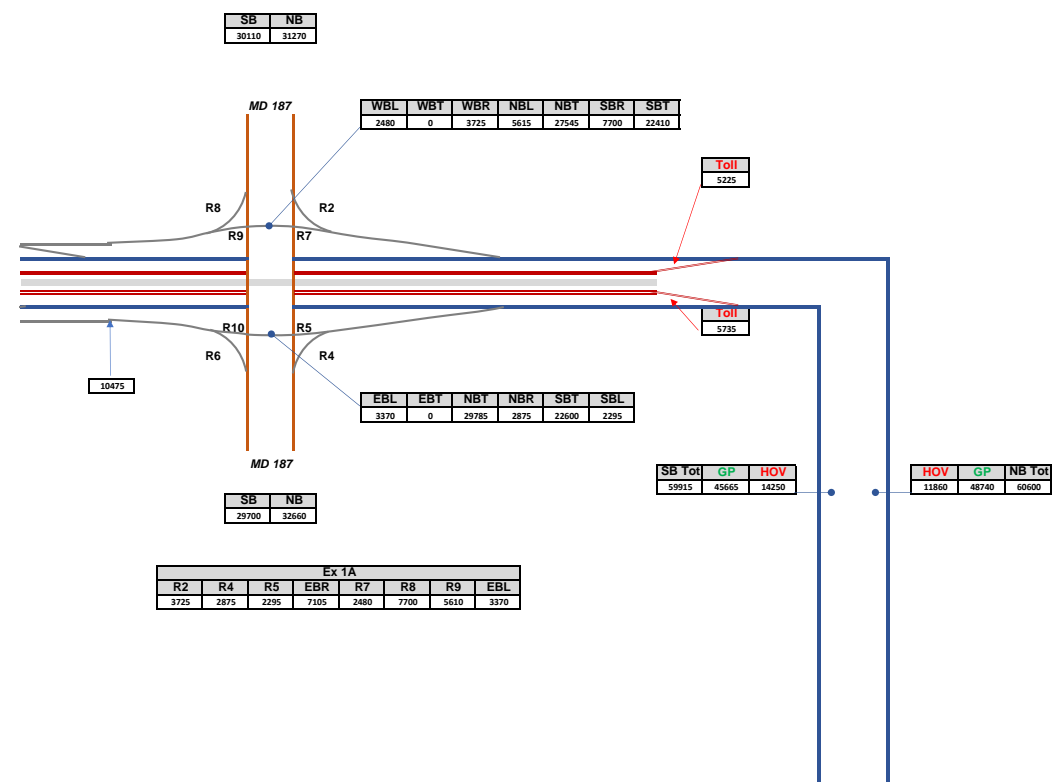
2045 Preferred Alternative ADT Volume Diagram



2045 Preferred Alternative ADT Volume Diagram



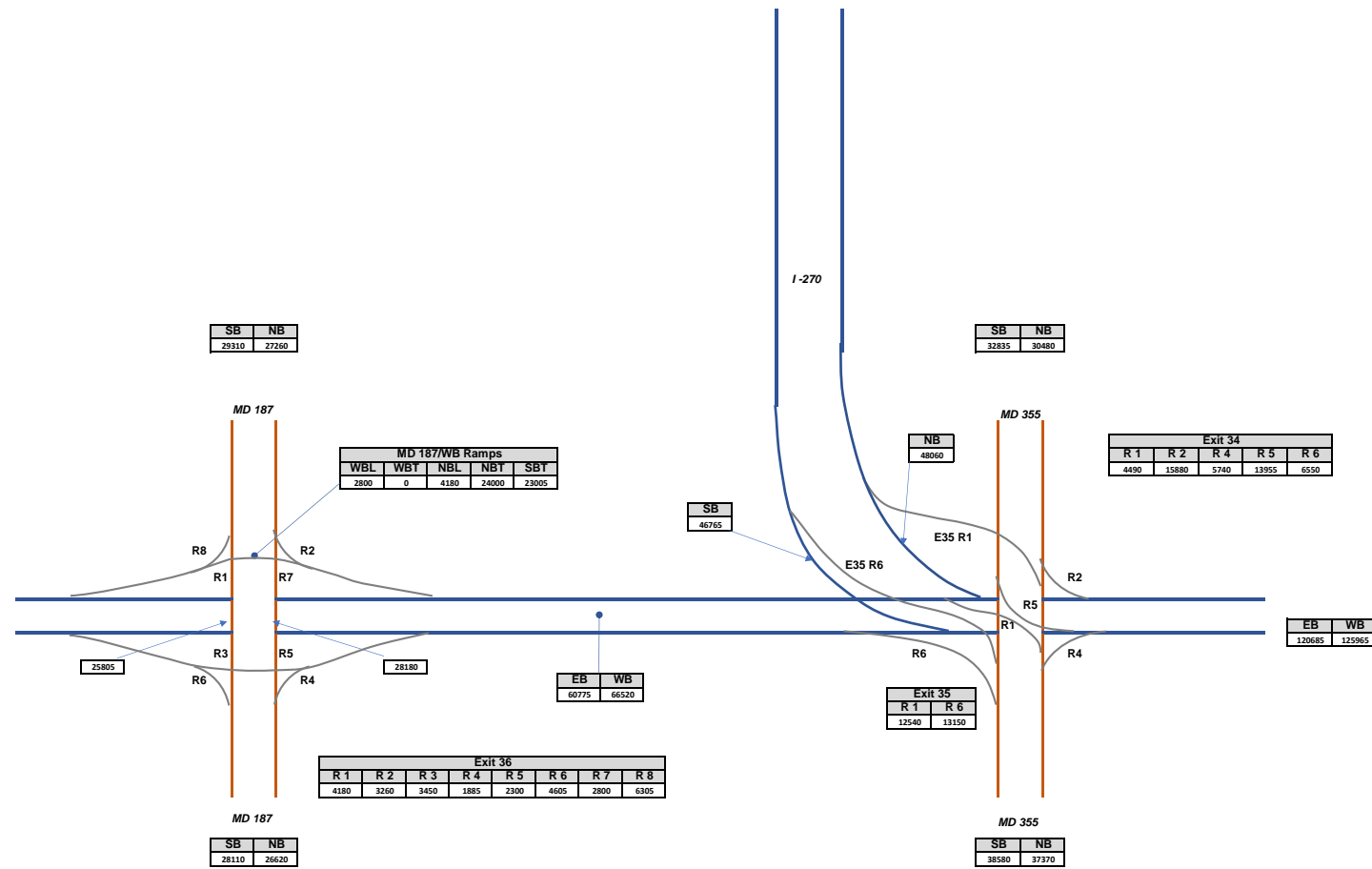
2045 Preferred Alternative ADT Volume Diagram



2045 Preferred Alternative ADT Volume Diagram



2045 Preferred Alternative ADT Volume Diagram



2045 Preferred Alternative ADT Volume Diagram

